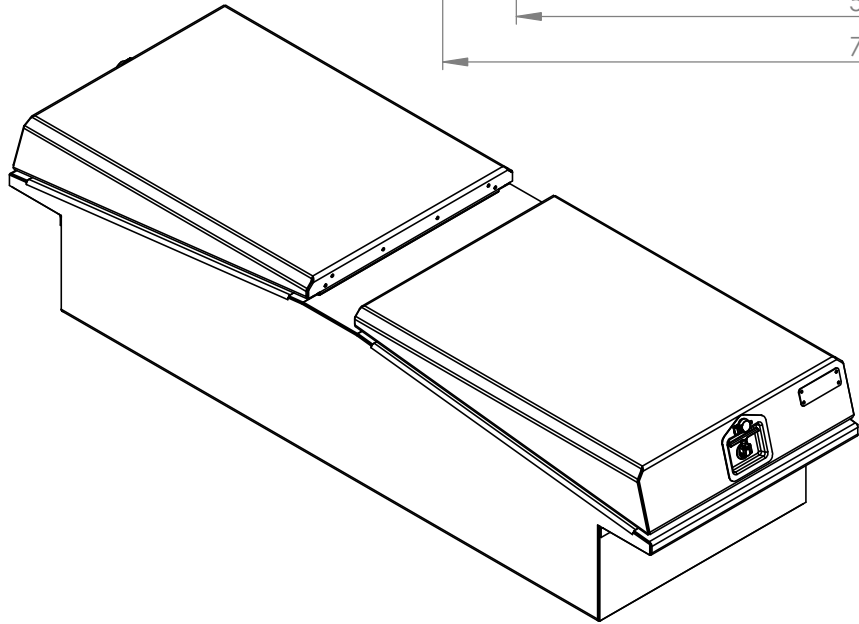
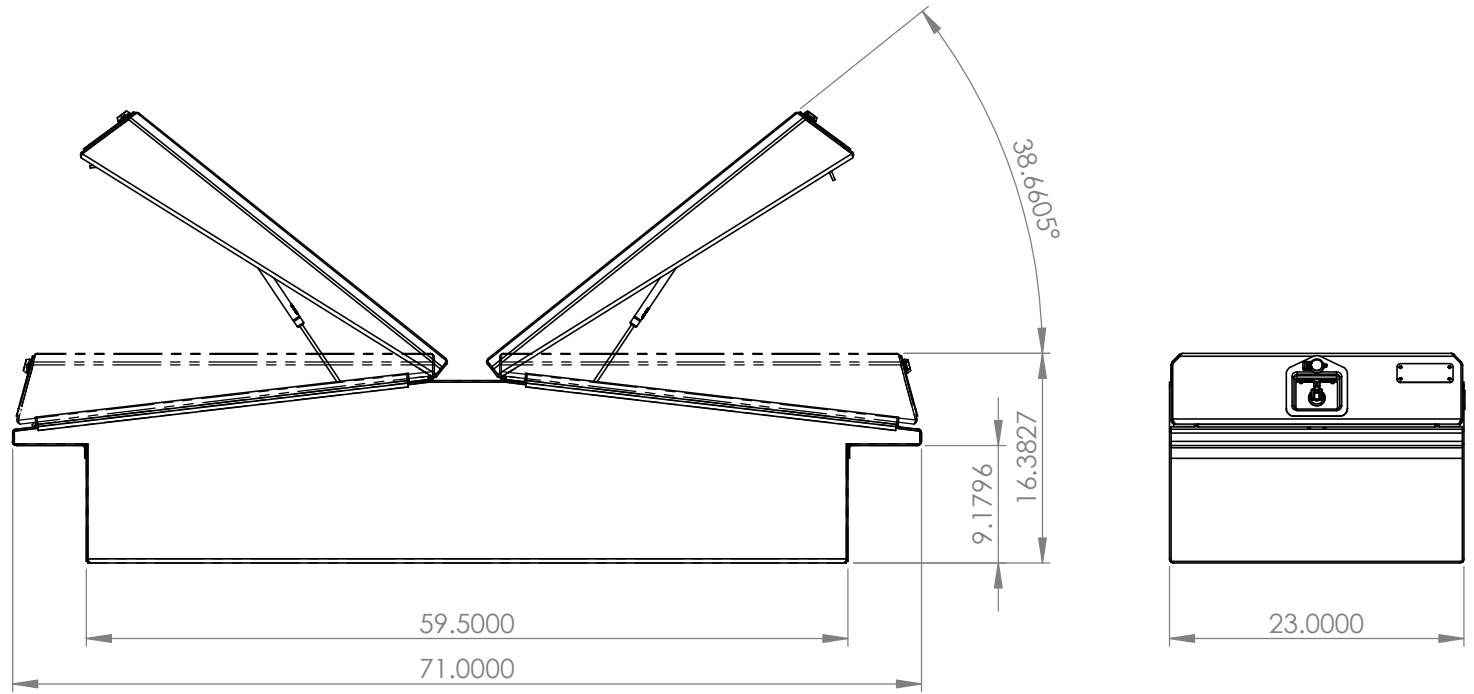


NOTES:

- · — · — Bend down
- · · · · Bend up



P/N: 3003

DWG. NO.: 0926-0-00-L

MATERIAL: 5052 (Alum)

THICKNESS: 0.125

FINISH: Smooth

Drawn By HL
 Date Drawn 11/18/2013
 Checked By

PROPRIETARY AND CONFIDENTIAL
 NO PART OF THIS DOCUMENT MAY BE REPRODUCED, STORED IN A RETRIEVAL SYSTEM, OR TRANSMITTED IN ANY FORM, WITHOUT THE WRITTEN PERMISSION OF Iconic Elements Inc.

ICONIC ELEMENTS
 UNLESS OTHERWISE SPECIFIED: DIMENSIONS ARE IN INCHES
 TOLERANCES: X/X±1/16" .XX±.01" .XXX±.005"

TITLE: Natural Alum. Finish

REV: L
 SHEET: 1 OF 1

5

4

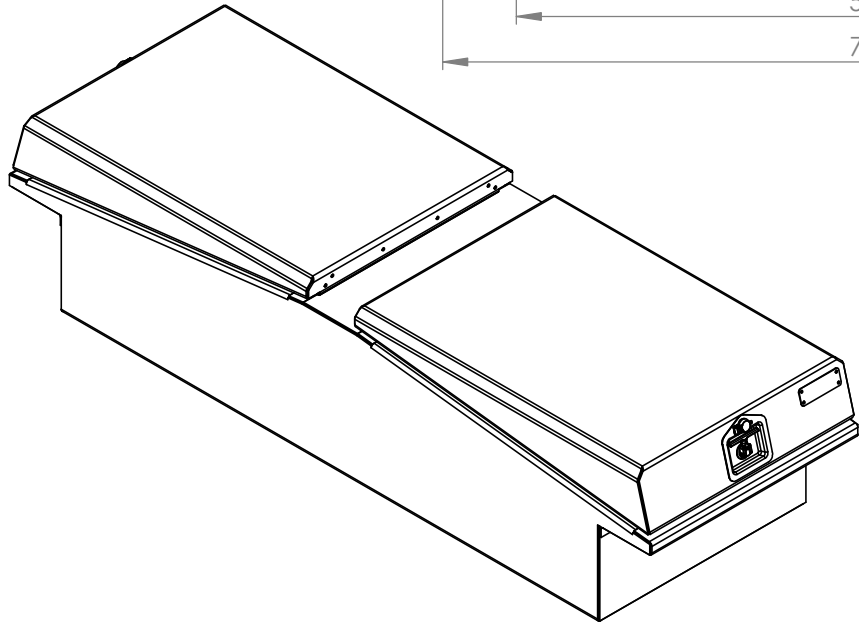
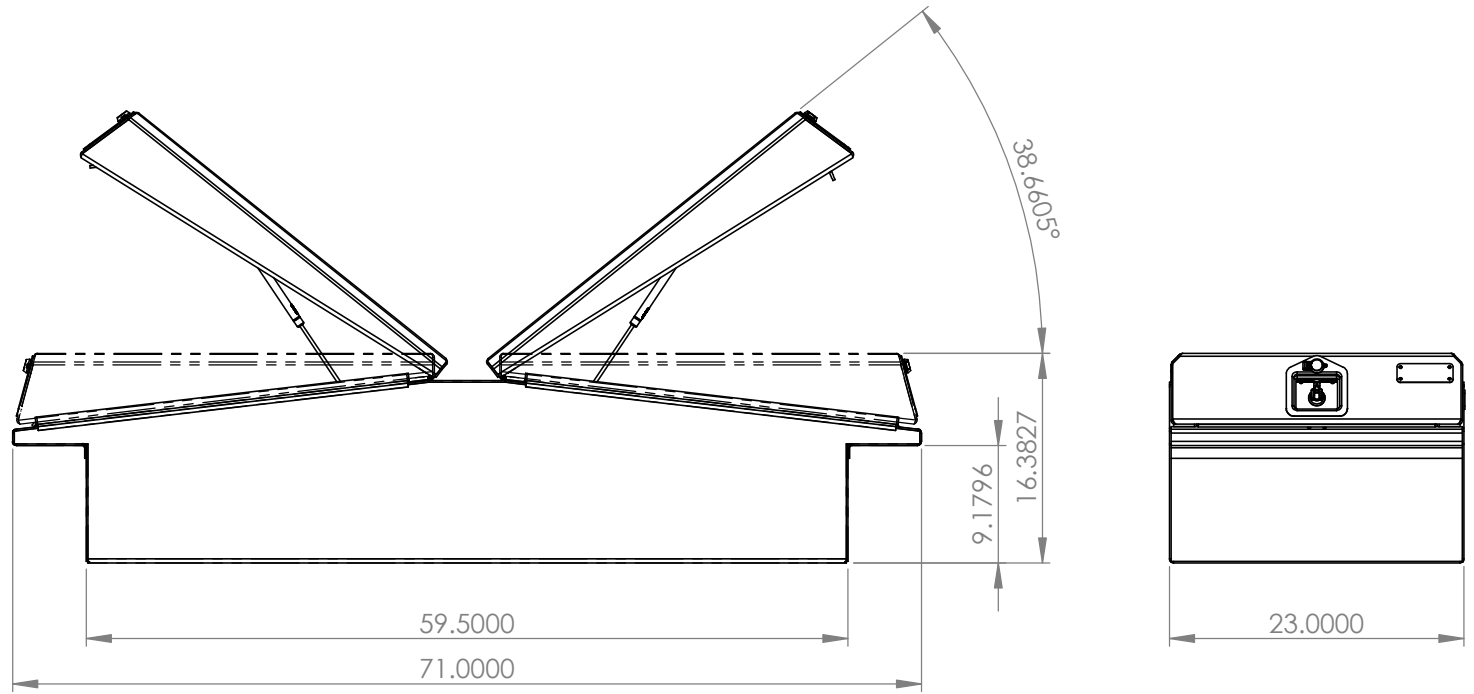
3

2

1

NOTES:

- · — · — Bend down
- — · — · Bend up



P/N: 3005

DWG. NO.: 0926-0-00-L

MATERIAL: 5052 (Alum)

THICKNESS: 0.125

FINISH: Smooth

Drawn By HL
 Date Drawn 11/18/2013
 Checked By

PROPRIETARY AND CONFIDENTIAL
 NO PART OF THIS DOCUMENT MAY BE REPRODUCED, STORED IN A RETRIEVAL SYSTEM, OR TRANSMITTED IN ANY FORM, WITHOUT THE WRITTEN PERMISSION OF Iconic Elements Inc.

ICONIC ELEMENTS
 UNLESS OTHERWISE SPECIFIED: DIMENSIONS ARE IN INCHES
 TOLERANCES: X/X±1/16" .XX±.01" .XXX±.005"

TITLE: Matte Black Body,
 Matte Black Lid

REV: L
 SHEET: 1 OF 1

5

4

3

2

1