

**\*\*HARDWARE INCLUDED\*\***

Part No.: <b>3029</b>	MATERIAL: 5052 (Alum)	THICKNESS: 0.125	FINISH: Smooth	DWG. NO.: 4107-16-00-A
	Approx. Weight: 37.72 lbs	<b>ICONIC ELEMENTS</b> <small>PROPRIETARY AND CONFIDENTIAL          NO PART OF THIS DOCUMENT MAY BE REPRODUCED, STORED IN A RETRIEVAL SYSTEM, OR TRANSMITTED IN ANY FORM, WITHOUT THE WRITTEN PERMISSION OF Iconic Elements Inc.</small>		TITLE: Roof Rail - Long
	Surf. Area: 34.67 sq. ft.			REV: A SHEET: 1 OF 1

5

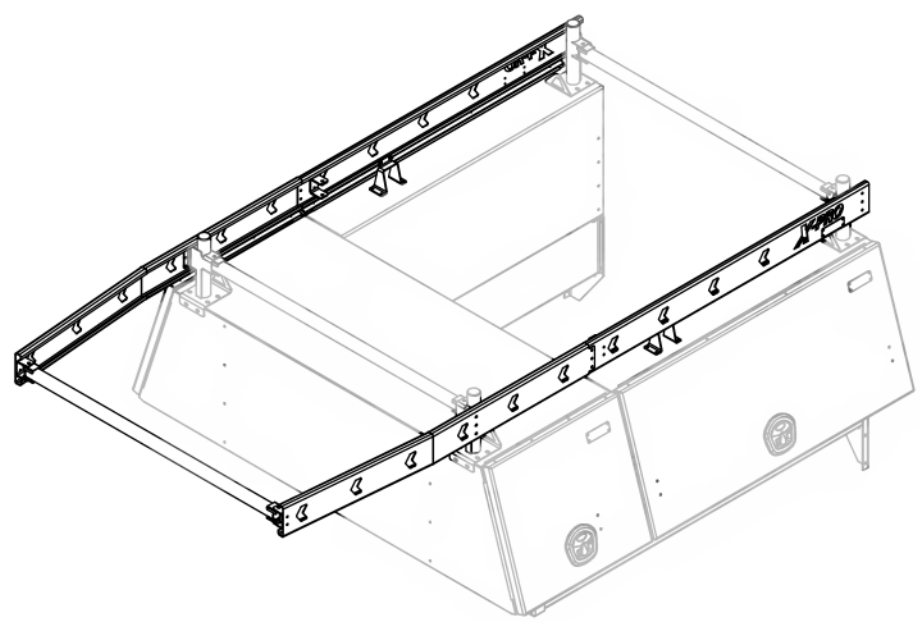
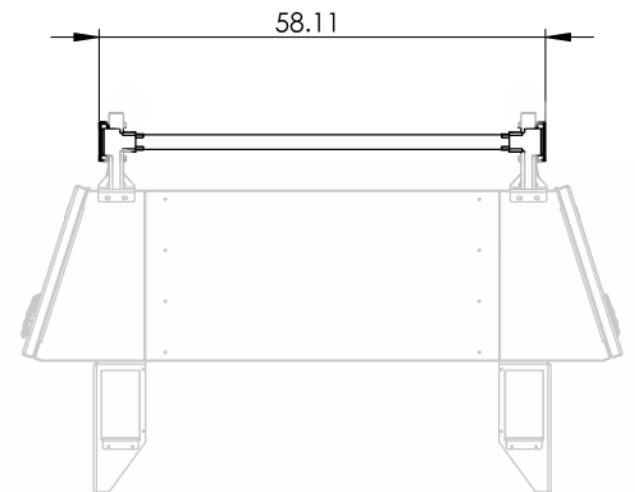
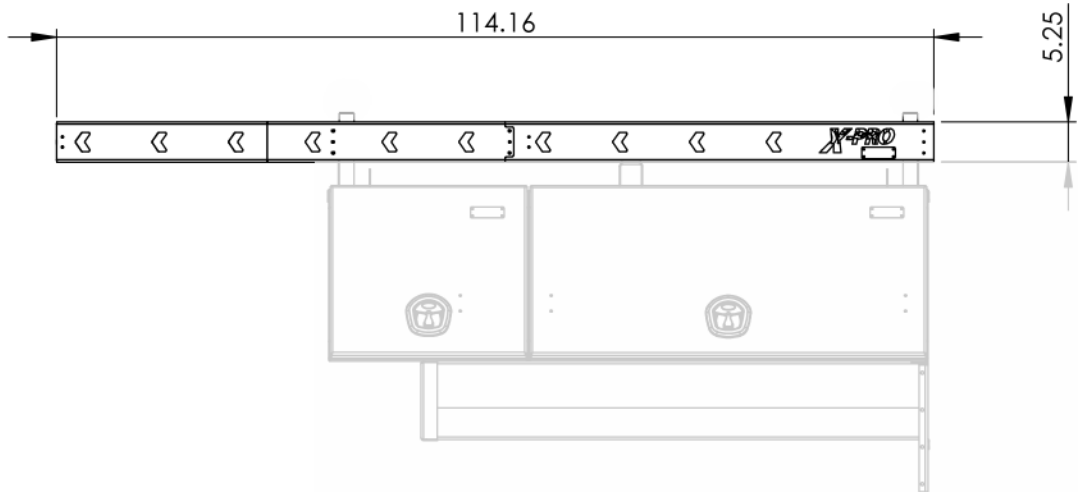
4

3

2

1

D  
C  
B  
A



**\*\*HARDWARE INCLUDED\*\***

Part No.: <b>3037</b>	MATERIAL: 5052 (Alum) Approx. Weight: 34.08 lbs Surf. Area: 30.4 sq. ft.	THICKNESS: 0.125 <b>ICONIC ELEMENTS</b> <small>PROPRIETARY AND CONFIDENTIAL          NO PART OF THIS DOCUMENT MAY BE REPRODUCED, STORED IN A RETRIEVAL SYSTEM, OR TRANSMITTED IN ANY FORM, WITHOUT THE WRITTEN PERMISSION OF Iconic Elements Inc.</small>	FINISH: Smooth TITLE: Roof Rail - Reg.	DWG. NO.: 4107-17-00-A REV: A	SHEET: 1 OF 1
--------------------------	--	---	--	----------------------------------	------------------

5

4

3

2

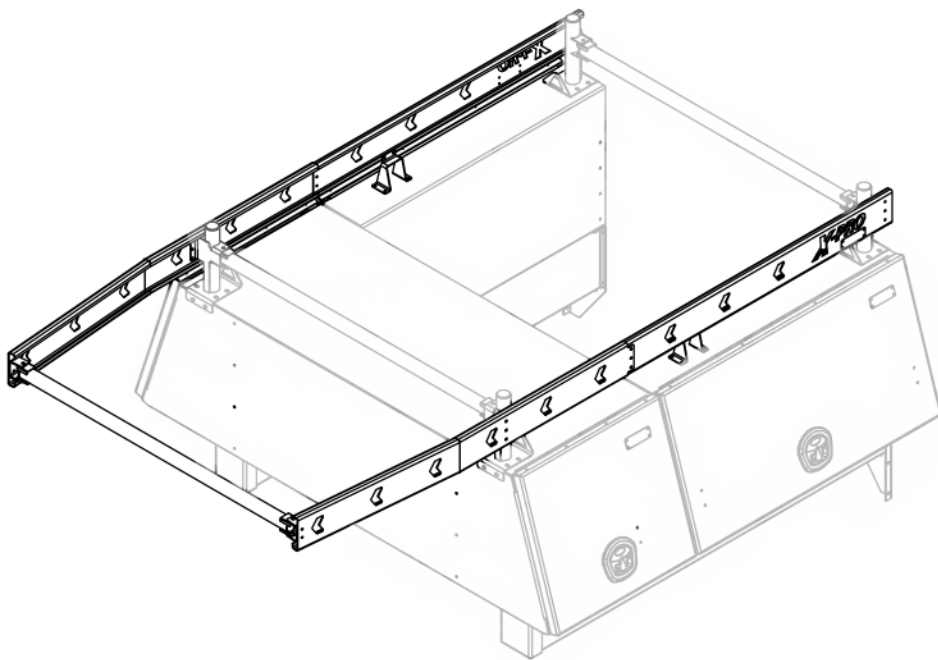
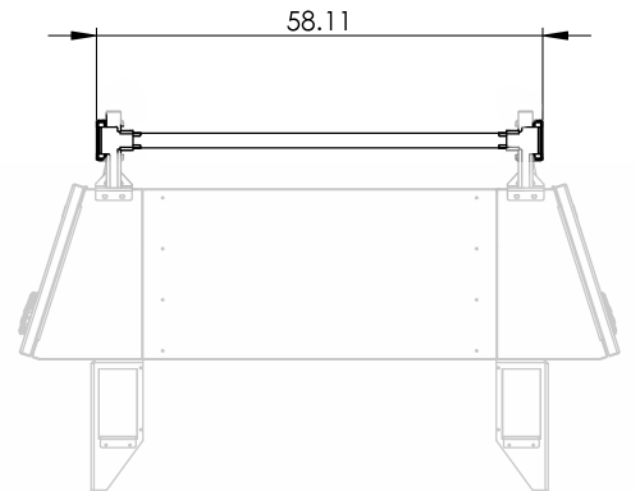
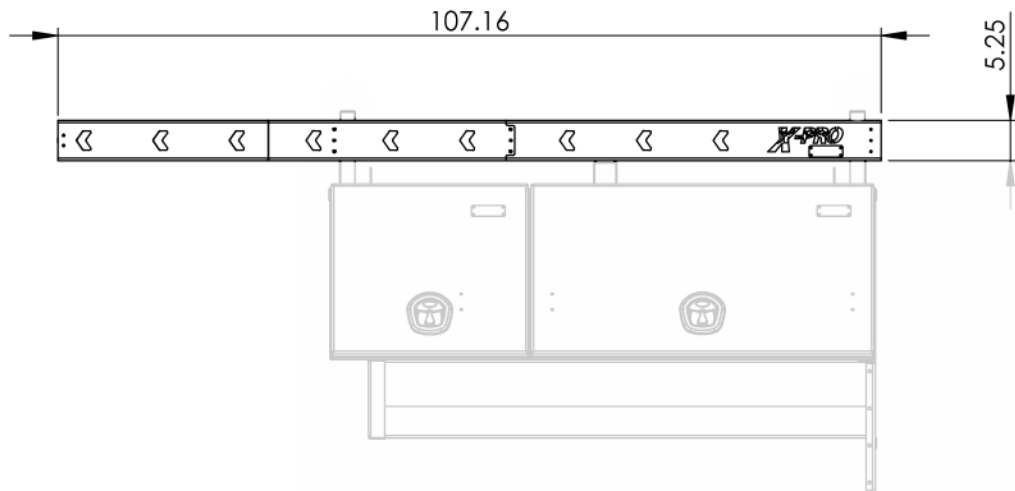
1

D

C

B

A



**\*\*HARDWARE INCLUDED\*\***

Part No.: <b>3038</b>	MATERIAL: 5052 (Alum)	THICKNESS: 0.125	FINISH: Smooth	DWG. NO.: 4107-18-00-A
	Approx. Weight: 32.5 lbs	<b>ICONIC ELEMENTS</b> <small>PROPRIETARY AND CONFIDENTIAL          NO PART OF THIS DOCUMENT MAY BE REPRODUCED, STORED IN A RETRIEVAL SYSTEM, OR TRANSMITTED IN ANY FORM, WITHOUT THE WRITTEN PERMISSION OF Iconic Elements Inc.</small>		TITLE: Roof Rail - Short
Surf. Area: 28.62 sq. ft.				REV: A
				SHEET: 1 OF 1

5

4

3

2

1

D

C

B

A