

D

C

B

A

Part No.:

3034

MATERIAL: 5052 (Alum)

THICKNESS: 0.125

FINISH: Smooth

DWG. NO.: 4107-10-00-A

Approx. Weight: 101.21 lbs

ICONIC ELEMENTS

TITLE:

REV: SHEET:

Surf. Area: 120.09 sq. ft.

PROPRIETARY AND CONFIDENTIAL
NO PART OF THIS DOCUMENT MAY BE REPRODUCED, STORED IN A RETRIEVAL SYSTEM, OR TRANSMITTED IN ANY FORM, WITHOUT THE WRITTEN PERMISSION OF Iconic Elements Inc.

Roof Assy - Long

A 1 OF 1

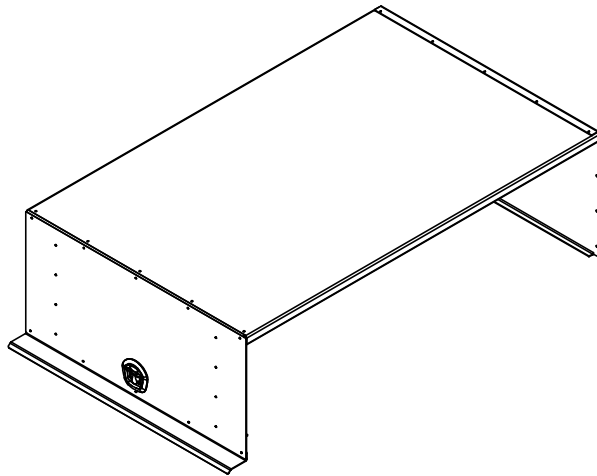
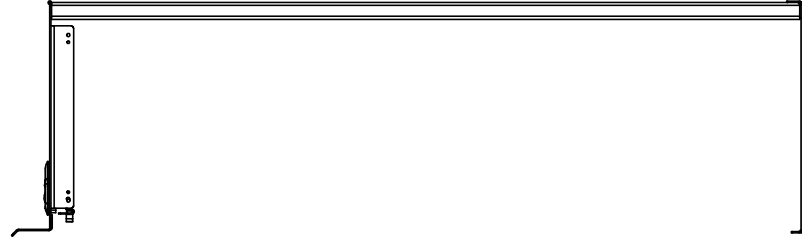
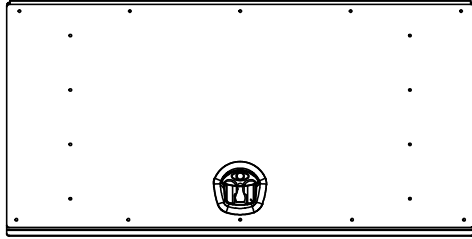
5

4

3

2

1



****HARDWARE INCLUDED****

Part No.: 3035	MATERIAL: 5052 (Alum)	THICKNESS: 0.125	FINISH: Smooth	DWG. NO.: 4107-11-00-A
	Approx. Weight: 88.15 lbs	ICONIC ELEMENTS <small>PROPRIETARY AND CONFIDENTIAL</small> <small>NO PART OF THIS DOCUMENT MAY BE REPRODUCED, STORED IN A RETRIEVAL SYSTEM, OR TRANSMITTED IN ANY FORM, WITHOUT THE WRITTEN PERMISSION OF Iconic Elements Inc.</small>		REV: SHEET:
Surf. Area: 105.07 sq. ft.	TITLE: Roof Assy - Reg.			A 1 OF 1

5

4

3

2

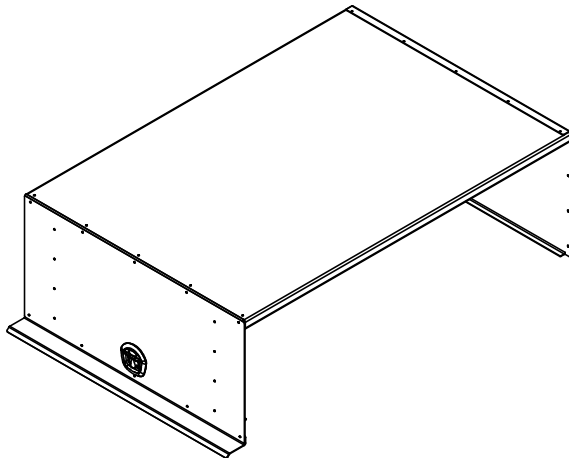
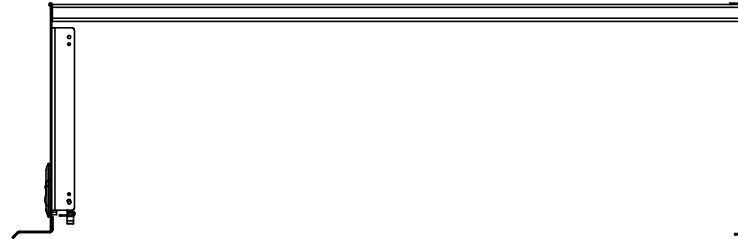
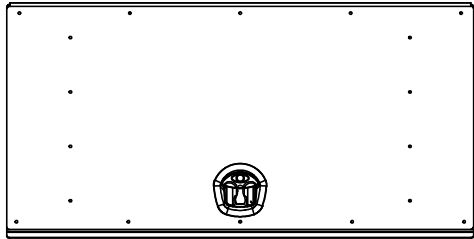
1

D

C

B

A



****HARDWARE INCLUDED****

Part No.: 3036	MATERIAL: 5052 (Alum)	THICKNESS: 0.125	FINISH: Smooth	DWG. NO.: 4107-12-00-A
	Approx. Weight: 84.23 lbs	ICONIC ELEMENTS <small>PROPRIETARY AND CONFIDENTIAL</small> <small>NO PART OF THIS DOCUMENT MAY BE REPRODUCED, STORED IN A RETRIEVAL SYSTEM, OR TRANSMITTED IN ANY FORM, WITHOUT THE WRITTEN PERMISSION OF Iconic Elements Inc.</small>		REV: A
	Surf. Area: 100.57 sq. ft.	TITLE: Roof Assy - Short.		SHEET: 1 OF 1

5

4

3

2

1

D

C

B

A