

**\*\*HARDWARE INCLUDED\*\***

|                          |   |   |  |                                  |                  |
|--------------------------|---|---|--|----------------------------------|------------------|
| Part No.:<br><b>3014</b> | MATERIAL: 5052 (Alum)<br>Approx. Weight: 1.14 lbs<br>Surf. Area: 0.92 sq. ft. | THICKNESS: 0.188<br><b>ICONIC ELEMENTS</b><br><small>PROPRIETARY AND CONFIDENTIAL<br/>         NO PART OF THIS DOCUMENT MAY BE REPRODUCED, STORED IN A RETRIEVAL SYSTEM, OR TRANSMITTED IN ANY FORM, WITHOUT THE WRITTEN PERMISSION OF Iconic Elements Inc.</small> | FINISH: Smooth<br>TITLE:<br>Crossbar Acc Mount | DWG. NO.: 4021-05-00-A<br>REV: A | SHEET:<br>1 OF 1 |
|--------------------------|---|---|--|----------------------------------|------------------|

5

4

3

2

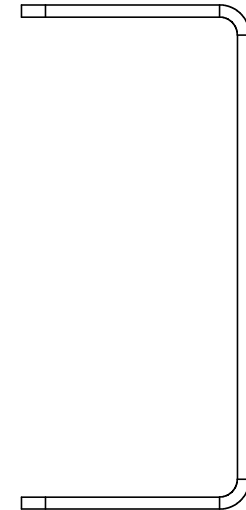
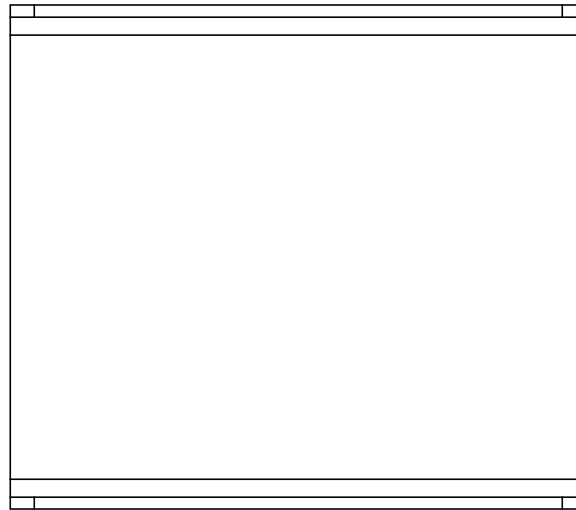
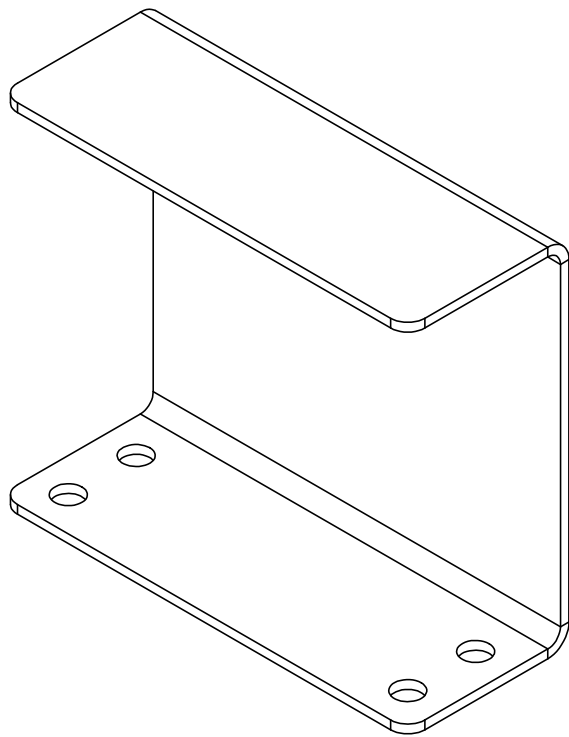
1

D

C

B

A



**\*\*HARDWARE INCLUDED\*\***

|                          |  |   |   |   |
|--------------------------|--|---|---|---|
| Part No.:<br><b>3015</b> | MATERIAL: 5052 (Alu)<br>Approx. Weight: 0.69 lbs<br>Surf. Area: 0.82 sq. ft. | THICKNESS: 0.125<br><b>ICONIC ELEMENTS</b><br><small>PROPRIETARY AND CONFIDENTIAL<br/>         NO PART OF THIS DOCUMENT MAY BE REPRODUCED, STORED IN A RETRIEVAL SYSTEM, OR TRANSMITTED IN ANY FORM, WITHOUT THE WRITTEN PERMISSION OF Iconic Elements Inc.</small> | FINISH: Smooth<br>TITLE:<br>Ladder Stop | DWG. NO.: 4021-06-01-A<br>REV: A<br>SHEET: 1 OF 1 |
|--------------------------|--|---|---|---|

5

4

3

2

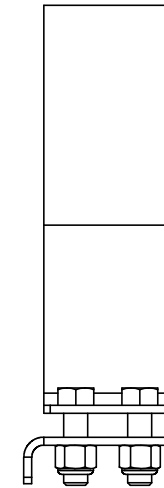
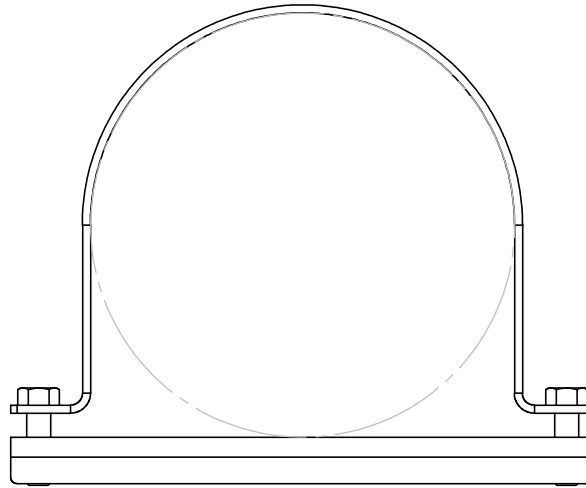
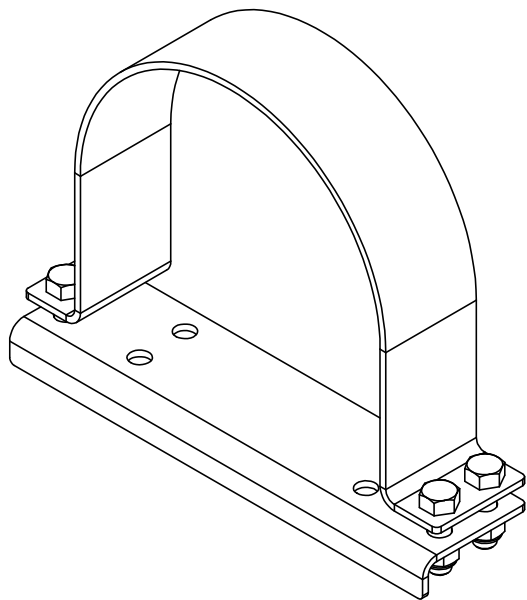
1

D

C

B

A



**\*\*MUST BE ORDERED WITH P/N: 3014 TO MOUNT\*\***

**\*\*HARDWARE INCLUDED\*\***

|                          |   |   |  |   |
|--------------------------|---|---|--|---|
| Part No.:<br><b>3016</b> | MATERIAL: 5052 (Alum)<br>Approx. Weight: 0.78 lbs<br>Surf. Area: 1.03 sq. ft. | THICKNESS: 0.125<br><b>ICONIC ELEMENTS</b><br><small>PROPRIETARY AND CONFIDENTIAL<br/>         NO PART OF THIS DOCUMENT MAY BE REPRODUCED, STORED IN A RETRIEVAL SYSTEM, OR TRANSMITTED IN ANY FORM, WITHOUT THE WRITTEN PERMISSION OF Iconic Elements Inc.</small> | FINISH: Smooth<br>TITLE:<br>Pipe Clamp | DWG. NO.: 4107-09-00-A<br>REV: A<br>SHEET: 1 OF 1 |
|--------------------------|---|---|--|---|

5

4

3

2

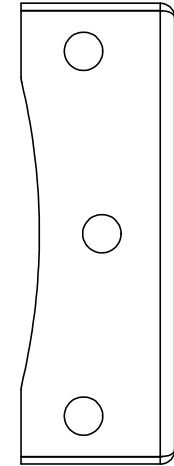
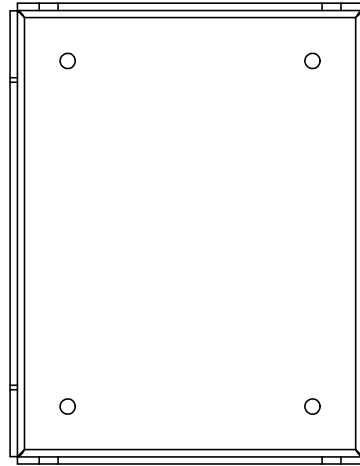
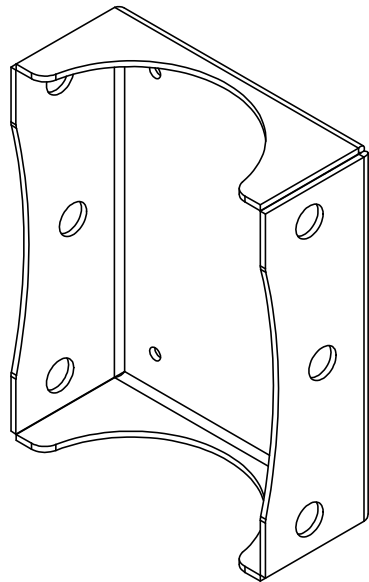
1

D

C

B

A



**\*\*HARDWARE INCLUDED\*\***

|                          |  |   |  |   |
|--------------------------|--|---|--|---|
| Part No.:<br><b>3031</b> | MATERIAL: 5052 (Alu)<br>Approx. Weight: 3.97 lbs<br>Surf. Area: 3.18 sq. ft. | THICKNESS: 0.188<br><b>ICONIC ELEMENTS</b><br><small>PROPRIETARY AND CONFIDENTIAL<br/>         NO PART OF THIS DOCUMENT MAY BE REPRODUCED, STORED IN A RETRIEVAL SYSTEM, OR TRANSMITTED IN ANY FORM, WITHOUT THE WRITTEN PERMISSION OF Iconic Elements Inc.</small> | FINISH: Smooth<br>TITLE:<br>Tank Bracket | DWG. NO.: 4107-04-01-A<br>REV: A<br>SHEET: 1 OF 1 |
|--------------------------|--|---|--|---|

5

4

3

2

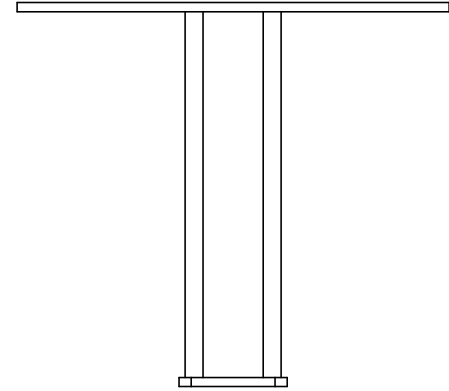
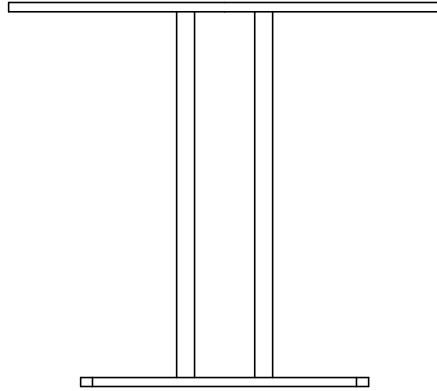
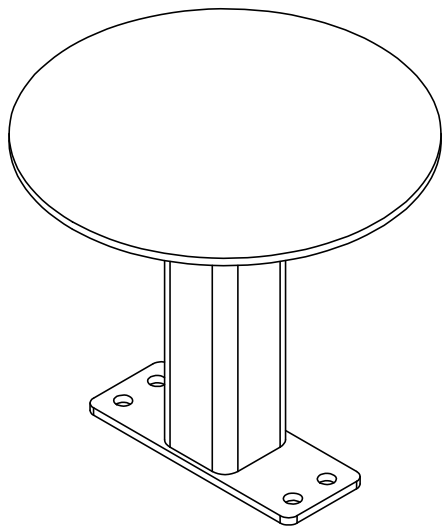
1

D

C

B

A



**\*\*HARDWARE INCLUDED\*\***

|                          |   |   |   |                                  |                  |
|--------------------------|---|---|---|----------------------------------|------------------|
| Part No.:<br><b>3032</b> | MATERIAL: 5052 (Alum)<br>Approx. Weight: 2.04 lbs<br>Surf. Area: 1.88 sq. ft. | THICKNESS: 0.188<br><b>ICONIC ELEMENTS</b><br><small>PROPRIETARY AND CONFIDENTIAL<br/>         NO PART OF THIS DOCUMENT MAY BE REPRODUCED, STORED IN A RETRIEVAL SYSTEM, OR TRANSMITTED IN ANY FORM, WITHOUT THE WRITTEN PERMISSION OF Iconic Elements Inc.</small> | FINISH: Smooth<br>TITLE:<br>8" Round Emerg. Light | DWG. NO.: 4107-08-00-A<br>REV: A | SHEET:<br>1 OF 1 |
|--------------------------|---|---|---|----------------------------------|------------------|

5

4

3

2

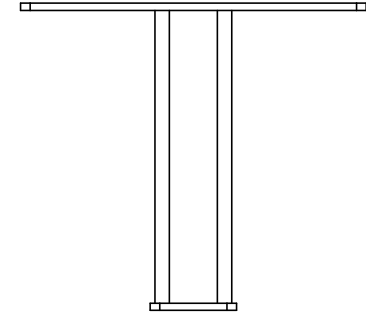
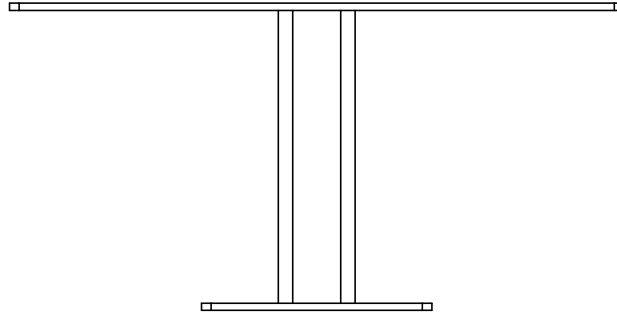
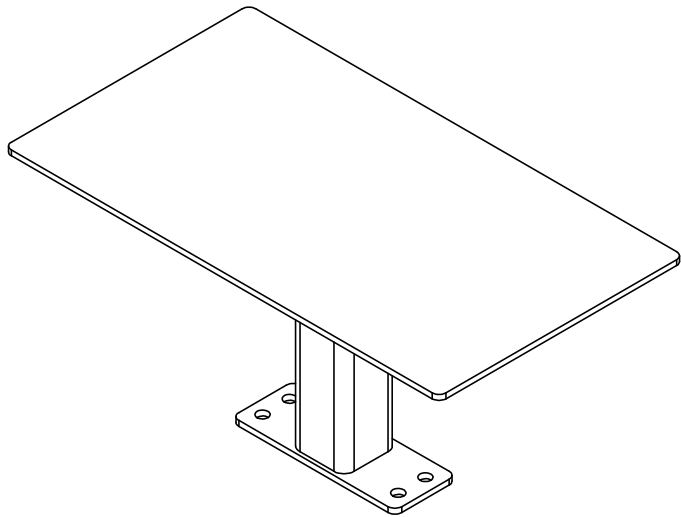
1

D

C

B

A



**\*\*HARDWARE INCLUDED\*\***

|                          |   |   |  |                                  |               |
|--------------------------|---|---|--|----------------------------------|---------------|
| Part No.:<br><b>3033</b> | MATERIAL: 5052 (Alum)<br>Approx. Weight: 3.50 lbs<br>Surf. Area: 3.02 sq. ft. | THICKNESS: 0.188<br><b>ICONIC ELEMENTS</b><br><small>PROPRIETARY AND CONFIDENTIAL<br/>         NO PART OF THIS DOCUMENT MAY BE REPRODUCED, STORED IN A RETRIEVAL SYSTEM, OR TRANSMITTED IN ANY FORM, WITHOUT THE WRITTEN PERMISSION OF Iconic Elements Inc.</small> | FINISH: Smooth<br>TITLE:<br>9" x 16" Rec. Emerg. Light | DWG. NO.: 4107-07-00-A<br>REV: A | SHEET: 1 OF 1 |
|--------------------------|---|---|--|----------------------------------|---------------|

5

4

3

2

1

D

C

B

A