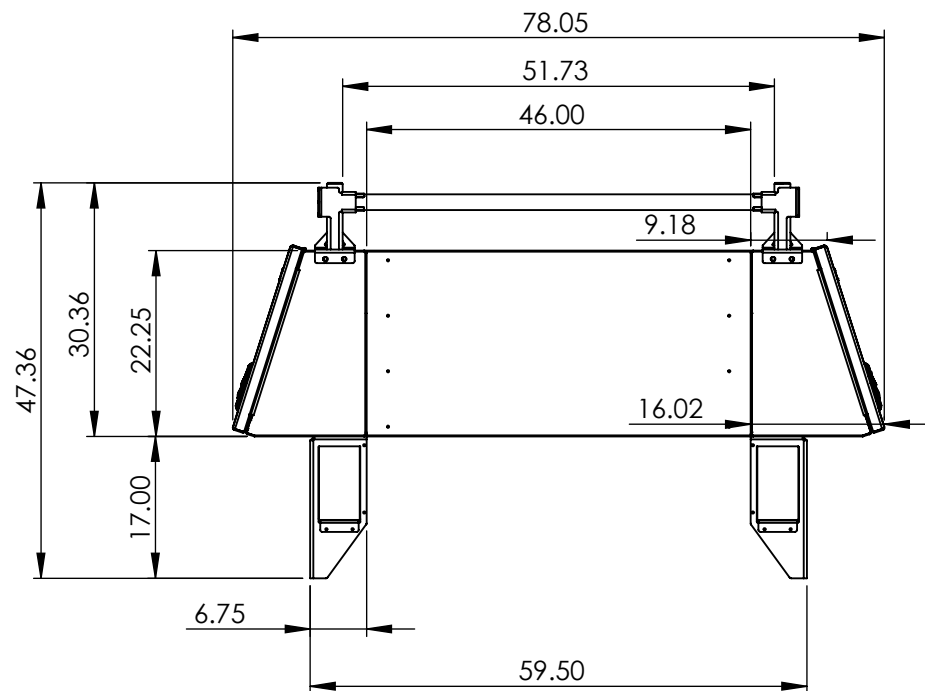
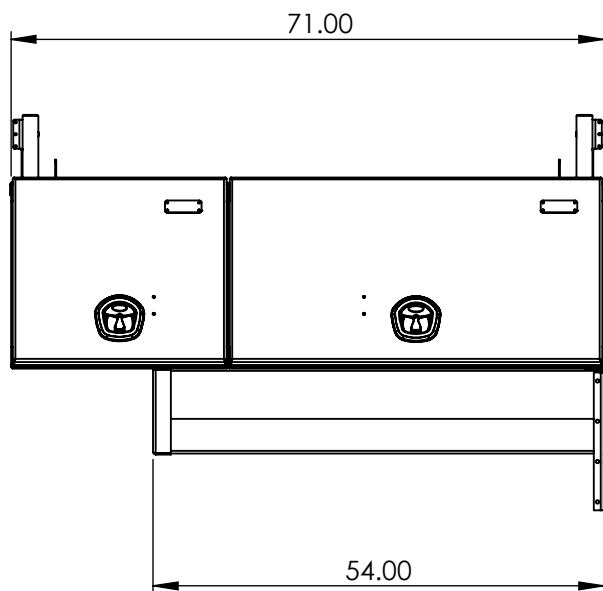


STANDARD PACK INCLUDES:

- (1) x LEFT SIDE BOX w/ ADJUSTABLE SHELF
- (1) x RIGHT SIDE BOX w/ ADJUSTABLE SHELF
- (1) x CROSS BOX w/ ADJUSTABLE SHELF
- (2) x REMOVABLE CROSS TUBES (STAINLESS)
- (4) x LADDER RACK RECEIVER POSTS (STAINLESS)
- (2) x UNDER MOUNT BED TRAYS
- (2) x BACK CORNER MOUNT GUSSETS
- (1) x HARDWARE KIT & INSTALLATION GUIDE



Part No.:

3021

MATERIAL: 5052 (Alum)

Approx. Weight: 262.95 lbs

Surf. Area: 351.42 sq. ft.

THICKNESS: 0.125

ICONIC ELEMENTS

PROPRIETARY AND CONFIDENTIAL
NO PART OF THIS DOCUMENT MAY BE REPRODUCED, STORED IN A RETRIEVAL SYSTEM, OR TRANSMITTED IN ANY FORM, WITHOUT THE WRITTEN PERMISSION OF Iconic Elements Inc.

FINISH: Smooth

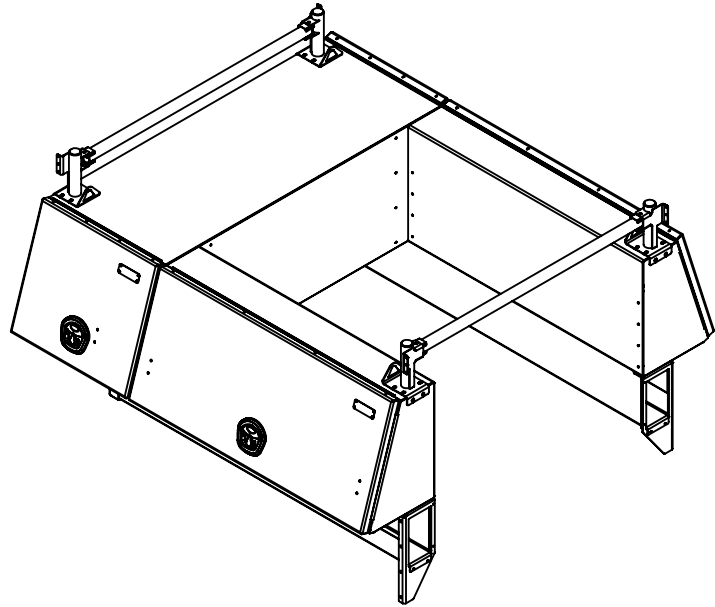
TITLE:

High Side Truck Pack (Short)

DWG. NO.: 4112-1-00-I

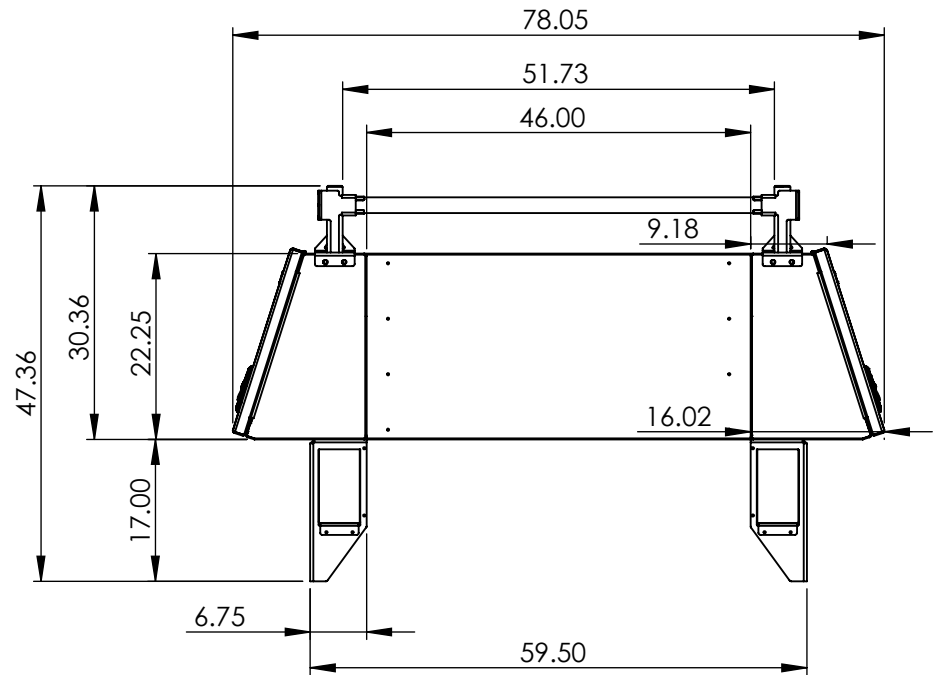
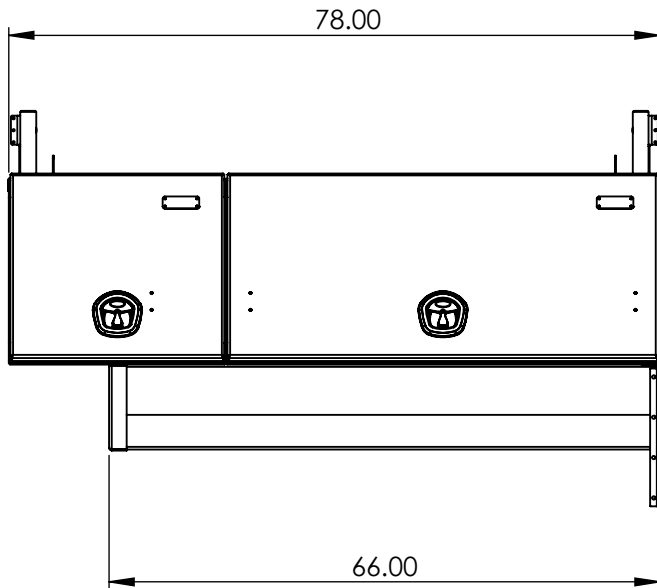
REV: SHEET:

I 1 OF 1



STANDARD PACK INCLUDES:

- (1) x LEFT SIDE BOX w/ ADJUSTABLE SHELVES
- (1) x RIGHT SIDE BOX w/ ADJUSTABLE SHELVES
- (1) x CROSS BOX w/ ADJUSTABLE SHELF
- (2) x REMOVABLE CROSS TUBES (STAINLESS)
- (4) x LADDER RACK RECEIVER POSTS (STAINLESS)
- (2) x UNDER MOUNT BED TRAYS
- (2) x BACK CORNER MOUNT GUSSETS
- (1) x HARDWARE KIT & INSTALLATION GUIDE



Part No.:

3027

MATERIAL: 5052 (Alum)

THICKNESS: 0.125

FINISH: Smooth

DWG. NO.: 4114-1-00-I

Approx. Weight: 277.43 lbs

ICONIC ELEMENTS

TITLE:

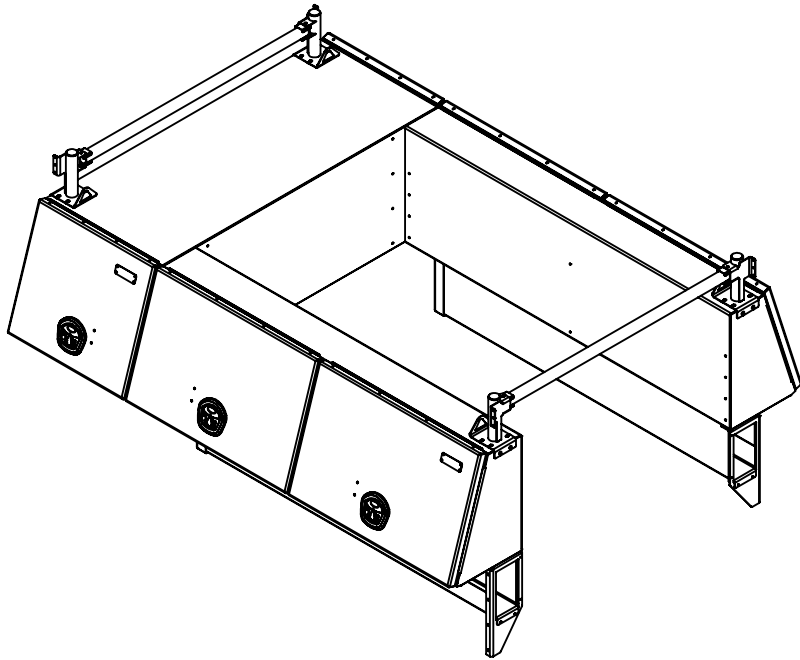
REV: SHEET:

Surf. Area: 377.94 sq. ft.

PROPRIETARY AND CONFIDENTIAL
NO PART OF THIS DOCUMENT MAY BE REPRODUCED, STORED IN A RETRIEVAL SYSTEM, OR TRANSMITTED IN ANY FORM, WITHOUT THE WRITTEN PERMISSION OF Iconic Elements Inc.

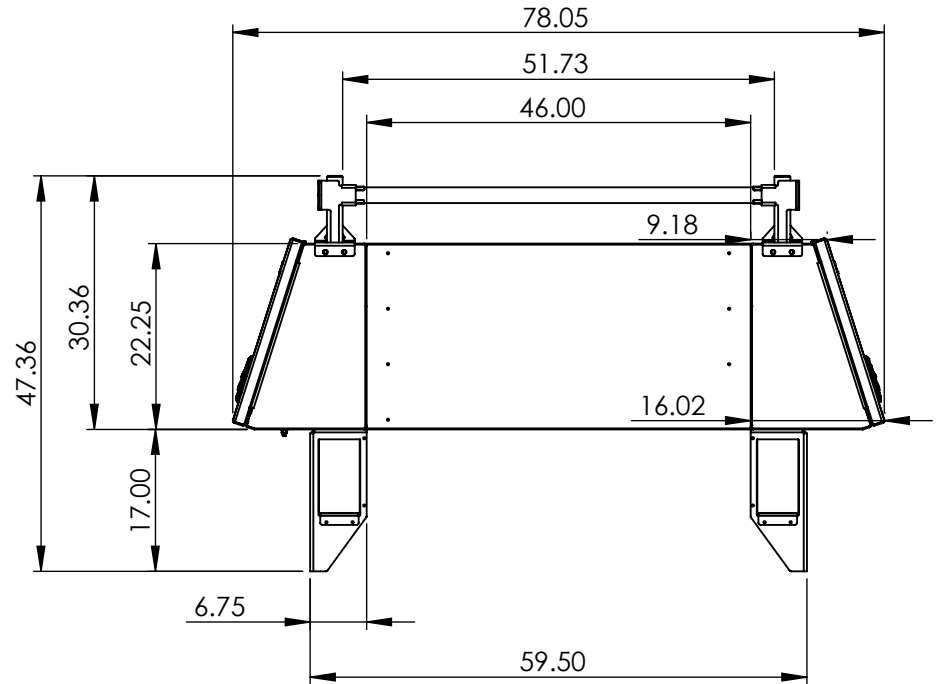
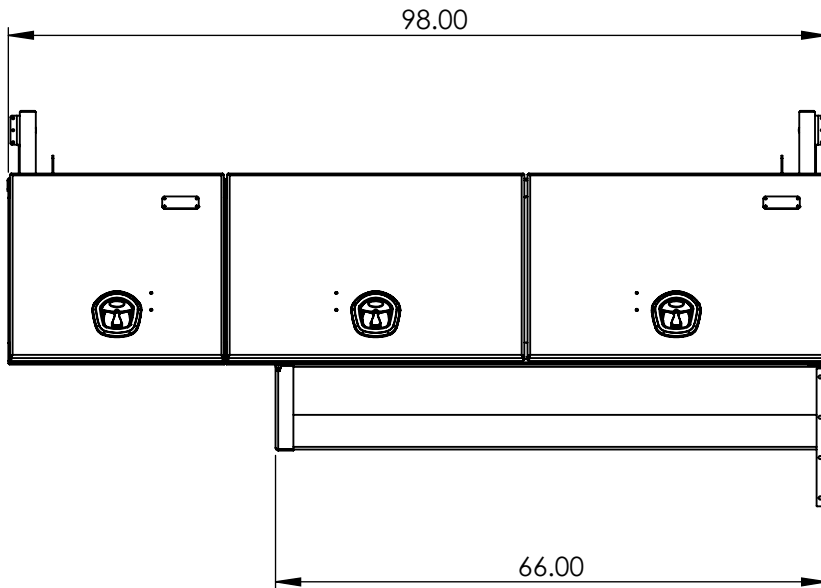
High Side Truck Pack (Reg.)

I 1 OF 1



STANDARD PACK INCLUDES:

- (1) x LEFT SIDE BOX w/ ADJUSTABLE SHELVES
- (1) x RIGHT SIDE BOX w/ ADJUSTABLE SHELVES
- (1) x CROSS BOX w/ ADJUSTABLE SHELF
- (2) x REMOVABLE CROSS TUBES (STAINLESS)
- (4) x LADDER RACK RECEIVER POSTS (STAINLESS)
- (2) x UNDER MOUNT BED TRAYS
- (2) x BACK CORNER MOUNT GUSSETS
- (1) x HARDWARE KIT & INSTALLATION GUIDE



Part No.:

3011

MATERIAL: 5052 (Alum)

THICKNESS: 0.125

FINISH: Smooth

DWG. NO.: 4116-1-00-I

Approx. Weight: 312.51 lbs

ICONIC ELEMENTS

TITLE:

REV: SHEET:

Surf. Area: 450.23 sq. ft.

PROPRIETARY AND CONFIDENTIAL
NO PART OF THIS DOCUMENT MAY BE REPRODUCED, STORED IN A RETRIEVAL SYSTEM, OR TRANSMITTED IN ANY FORM, WITHOUT THE WRITTEN PERMISSION OF Iconic Elements Inc.

High Side Truck Pack (Long)

I 1 OF 1