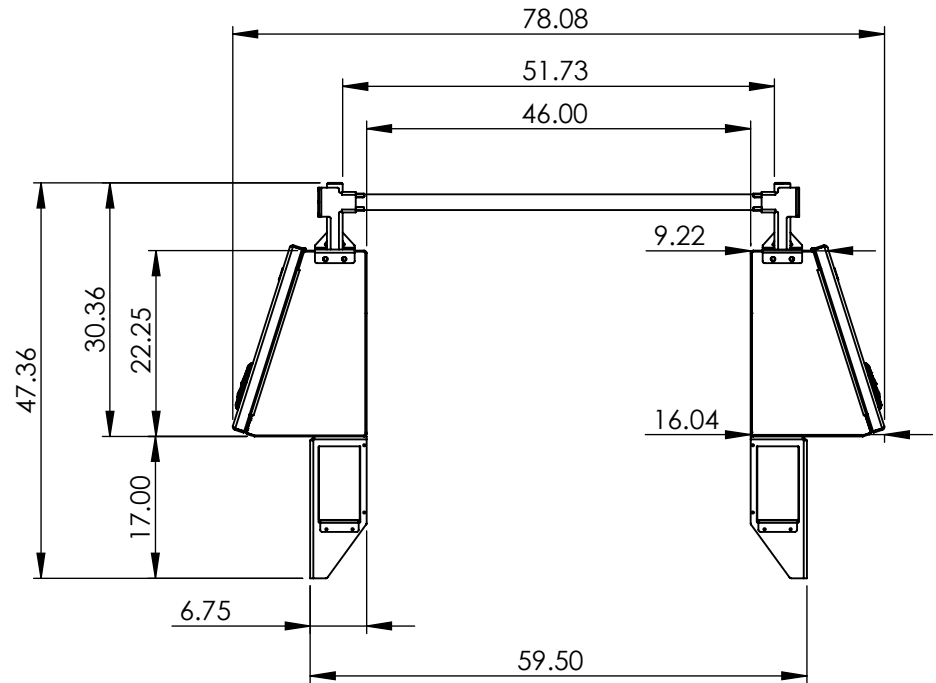
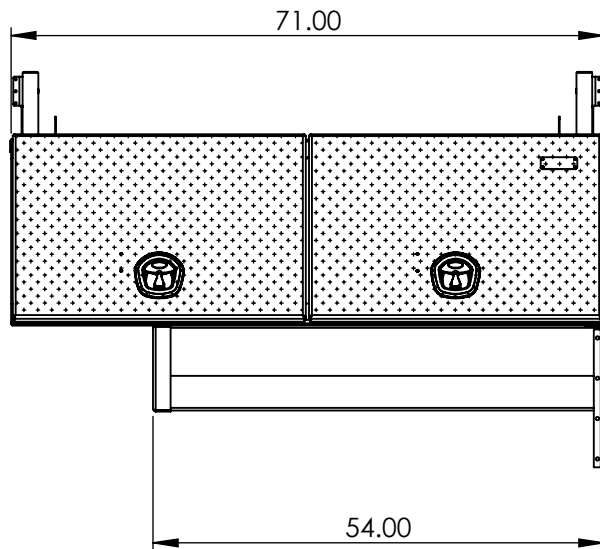


**\*\*CHECKER LIDS\*\***

**STANDARD PACK INCLUDES:**

- (1) x LEFT SIDE BOX w/ ADJUSTABLE SHELVES
- (1) x RIGHT SIDE BOX w/ ADJUSTABLE SHELVES
- (2) x REMOVABLE CROSS TUBES (STAINLESS)
- (4) x LADDER RACK RECEIVER POSTS (STAINLESS)
- (2) x UNDER MOUNT BED TRAYS
- (2) x BACK CORNER MOUNT GUSSETS
- (1) x HARDWARE KIT & INSTALLATION GUIDE



Part No.:

**3024**

MATERIAL: 5052 (Alum)

Approx. Weight: 184.33 lbs

Surf. Area: 288.32 sq. ft.

THICKNESS: 0.125

**ICONIC ELEMENTS**

PROPRIETARY AND CONFIDENTIAL  
NO PART OF THIS DOCUMENT MAY BE REPRODUCED, STORED IN A RETRIEVAL SYSTEM, OR TRANSMITTED IN ANY FORM, WITHOUT THE WRITTEN PERMISSION OF Iconic Elements Inc.

FINISH: Smooth

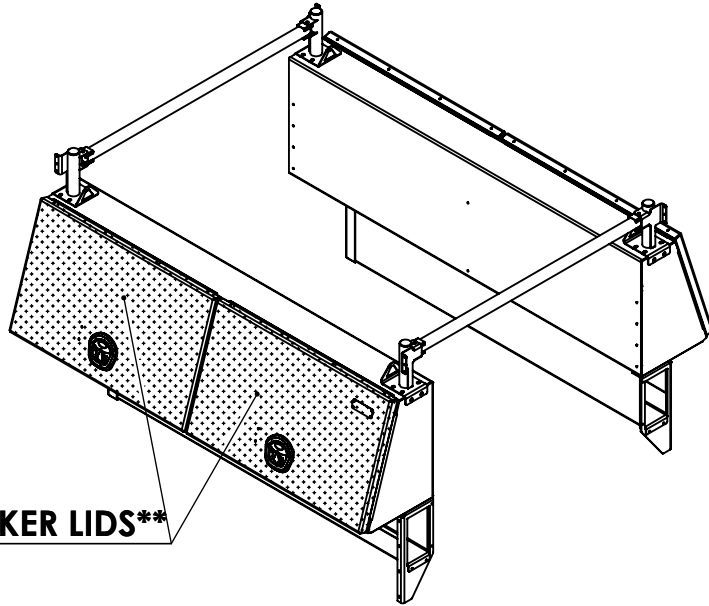
TITLE:

High Side Truck Pack (Short)

DWG. NO.: 4111-2-00-I

REV: SHEET:

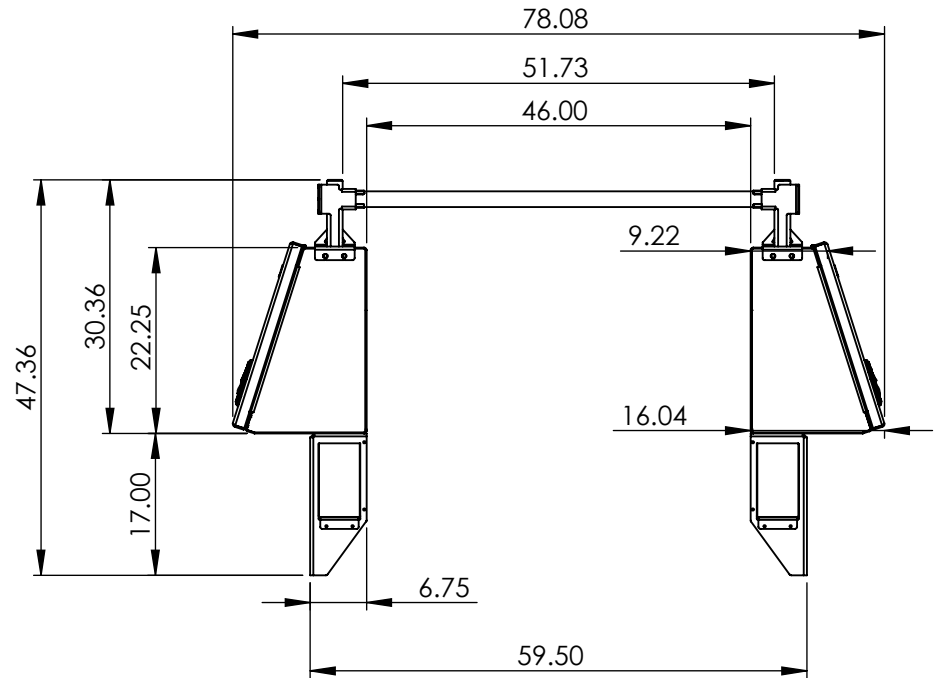
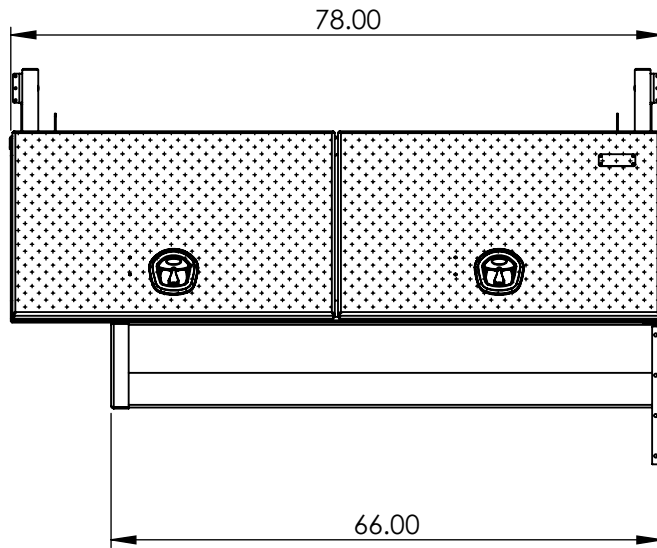
I 1 OF 1



**\*\*CHECKER LIDS\*\***

**STANDARD PACK INCLUDES:**

- (1) x LEFT SIDE BOX w/ ADJUSTABLE SHELVES
- (1) x RIGHT SIDE BOX w/ ADJUSTABLE SHELVES
- (2) x REMOVABLE CROSS TUBES (STAINLESS)
- (4) x LADDER RACK RECEIVER POSTS (STAINLESS)
- (2) x UNDER MOUNT BED TRAYS
- (2) x BACK CORNER MOUNT GUSSETS
- (1) x HARDWARE KIT & INSTALLATION GUIDE



Part No.:

**3017**

MATERIAL: 5052 (Alum)

Approx. Weight: 199.27 lbs

Surf. Area: 314.38 sq. ft.

THICKNESS: 0.125

**ICONIC ELEMENTS**

PROPRIETARY AND CONFIDENTIAL  
NO PART OF THIS DOCUMENT MAY BE REPRODUCED, STORED IN A RETRIEVAL SYSTEM, OR TRANSMITTED IN ANY FORM, WITHOUT THE WRITTEN PERMISSION OF Iconic Elements Inc.

FINISH: Smooth

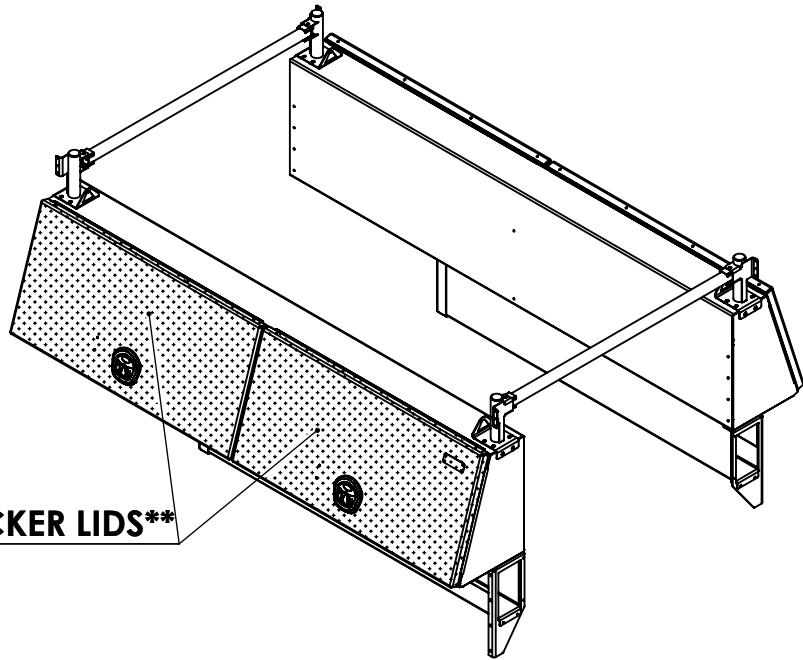
TITLE:

High Side Truck Pack (Reg.)

DWG. NO.: 4113-2-00-I

REV: SHEET:

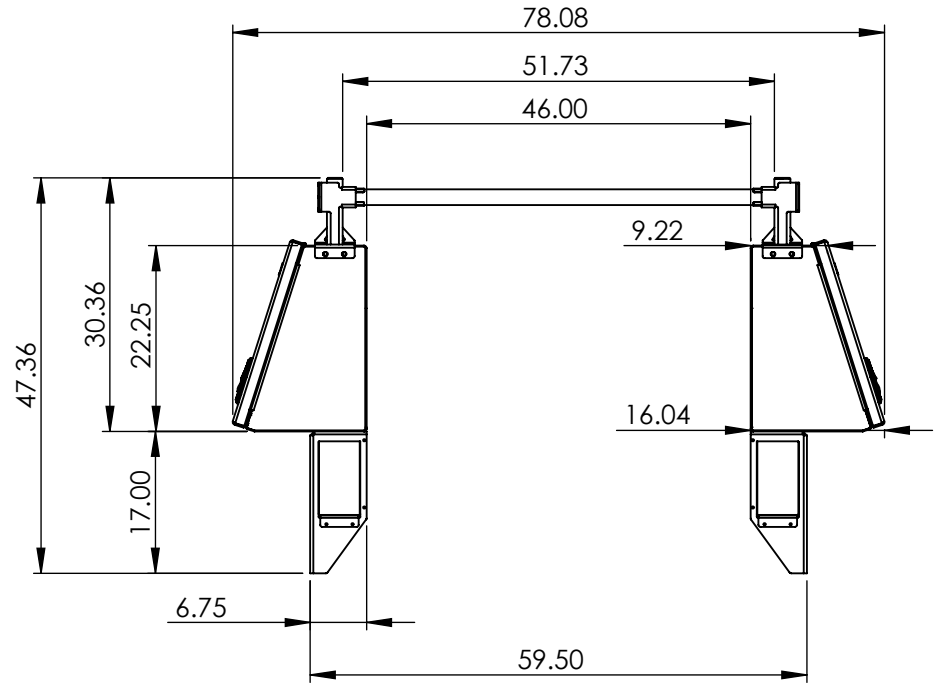
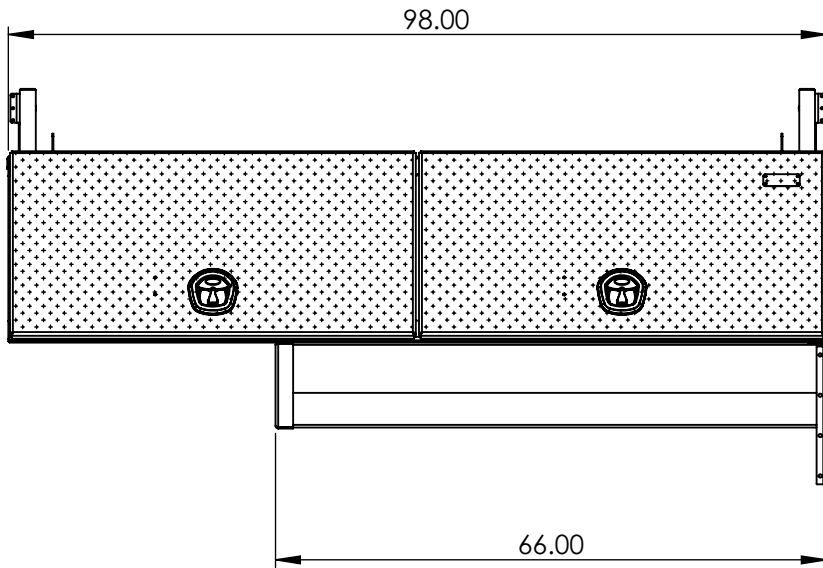
I 1 OF 1



**\*\*CHECKER LIDS\*\***

**STANDARD PACK INCLUDES:**

- (1) x LEFT SIDE BOX w/ ADJUSTABLE SHELVES
- (1) x RIGHT SIDE BOX w/ ADJUSTABLE SHELVES
- (2) x REMOVABLE CROSS TUBES (STAINLESS)
- (4) x LADDER RACK RECEIVER POSTS (STAINLESS)
- (2) x UNDER MOUNT BED TRAYS
- (2) x BACK CORNER MOUNT GUSSETS
- (1) x HARDWARE KIT & INSTALLATION GUIDE



Part No.:

**3018**

MATERIAL: 5052 (Alum)

THICKNESS: 0.125

FINISH: Smooth

DWG. NO.: 4115-2-00-I

Approx. Weight: 227.82 lbs

**ICONIC ELEMENTS**

TITLE:

REV: SHEET:

Surf. Area: 367.61 sq. ft.

PROPRIETARY AND CONFIDENTIAL  
NO PART OF THIS DOCUMENT MAY BE REPRODUCED, STORED IN A RETRIEVAL SYSTEM, OR TRANSMITTED IN ANY FORM, WITHOUT THE WRITTEN PERMISSION OF Iconic Elements Inc.

High Side Truck Pack (Long)

I 1 OF 1