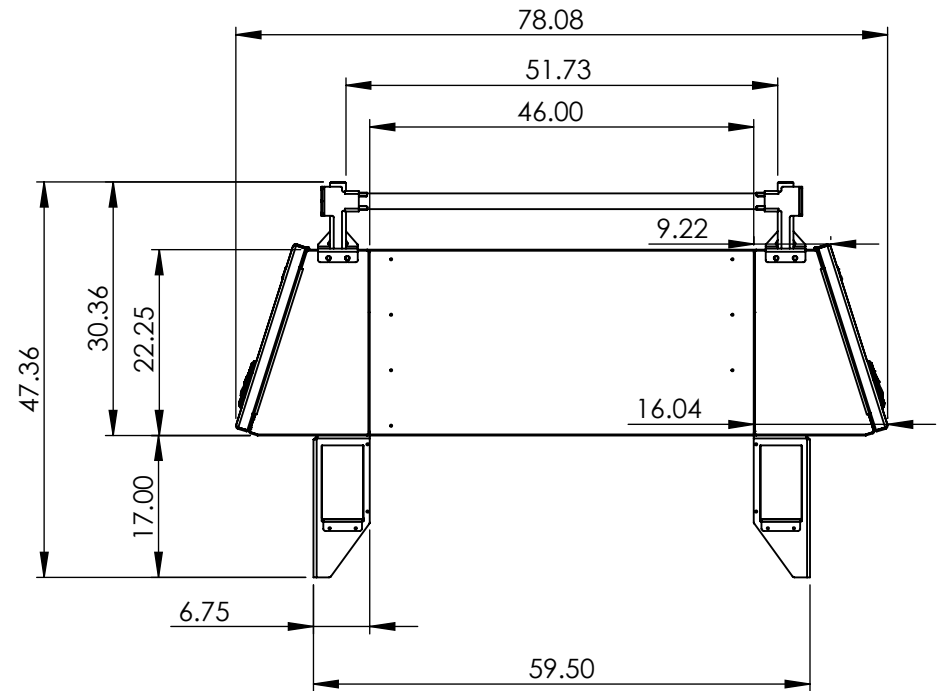
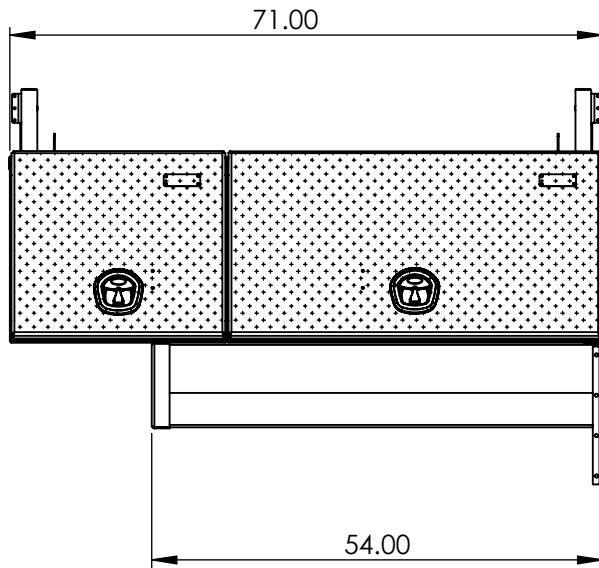


****CHECKER LIDS****

STANDARD PACK INCLUDES:

- (1) x LEFT SIDE BOX w/ ADJUSTABLE SHELF
- (1) x RIGHT SIDE BOX w/ ADJUSTABLE SHELF
- (1) x CROSS BOX w/ ADJUSTABLE SHELF
- (2) x REMOVABLE CROSS TUBES (STAINLESS)
- (4) x LADDER RACK RECEIVER POSTS (STAINLESS)
- (2) x UNDER MOUNT BED TRAYS
- (2) x BACK CORNER MOUNT GUSSETS
- (1) x HARDWARE KIT & INSTALLATION GUIDE



Part No.:

3022

MATERIAL: 5052 (Alum)

Approx. Weight: 270.45 lbs

Surf. Area: 353.04 sq. ft.

THICKNESS: 0.125

ICONIC ELEMENTS

PROPRIETARY AND CONFIDENTIAL
NO PART OF THIS DOCUMENT MAY BE REPRODUCED, STORED IN A RETRIEVAL SYSTEM, OR TRANSMITTED IN ANY FORM, WITHOUT THE WRITTEN PERMISSION OF Iconic Elements Inc.

FINISH: Smooth

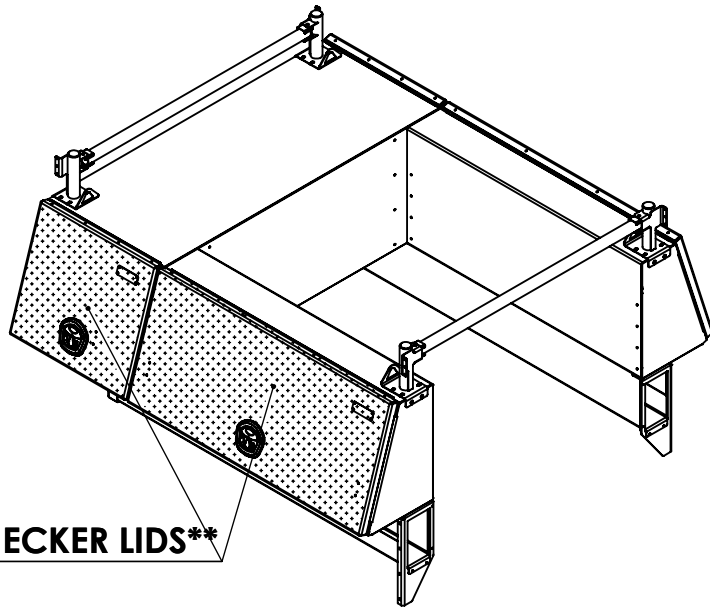
TITLE:

High Side Truck Pack (Short)

DWG. NO.: 4112-2-00-I

REV: SHEET:

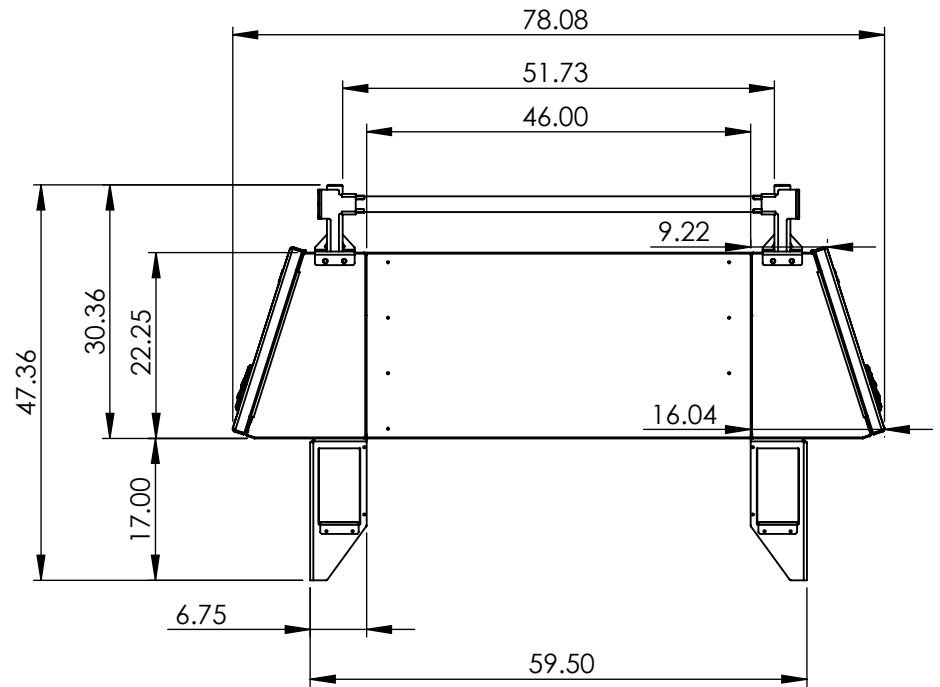
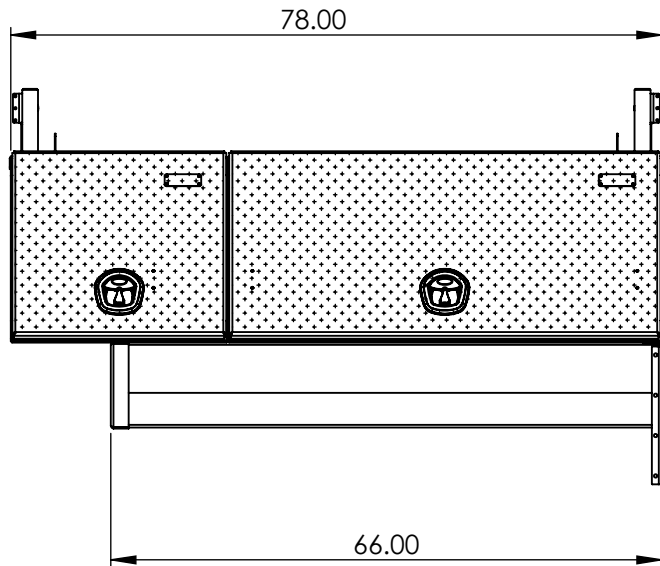
I 1 OF 1



****CHECKER LIDS****

STANDARD PACK INCLUDES:

- (1) x LEFT SIDE BOX w/ ADJUSTABLE SHELF
- (1) x RIGHT SIDE BOX w/ ADJUSTABLE SHELF
- (1) x CROSS BOX w/ ADJUSTABLE SHELF
- (2) x REMOVABLE CROSS TUBES (STAINLESS)
- (4) x LADDER RACK RECEIVER POSTS (STAINLESS)
- (2) x UNDER MOUNT BED TRAYS
- (2) x BACK CORNER MOUNT GUSSETS
- (1) x HARDWARE KIT & INSTALLATION GUIDE



Part No.:

3026

MATERIAL: 5052 (Alum)

Approx. Weight: 285.81 lbs

Surf. Area: 379.06 sq. ft.

THICKNESS: 0.125

ICONIC ELEMENTS

PROPRIETARY AND CONFIDENTIAL
NO PART OF THIS DOCUMENT MAY BE REPRODUCED, STORED IN A RETRIEVAL SYSTEM, OR TRANSMITTED IN ANY FORM, WITHOUT THE WRITTEN PERMISSION OF Iconic Elements Inc.

FINISH: Smooth

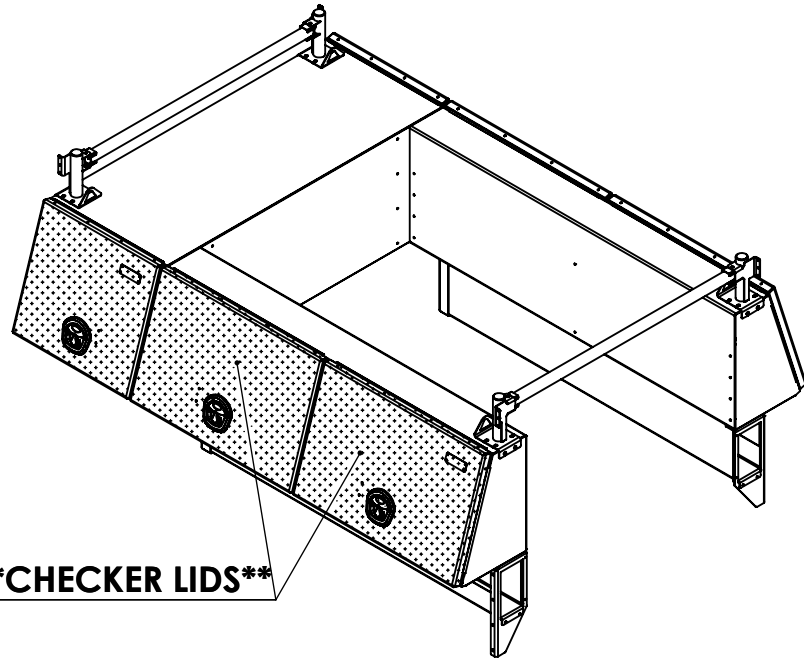
TITLE:

High Side Truck Pack (Reg.)

DWG. NO.: 4114-2-00-I

REV: SHEET:

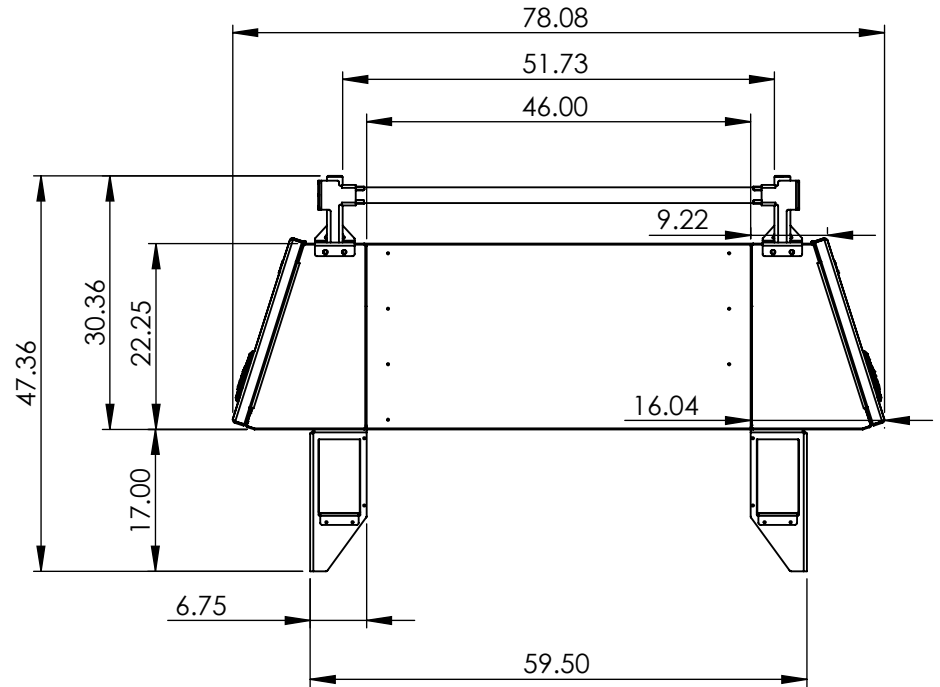
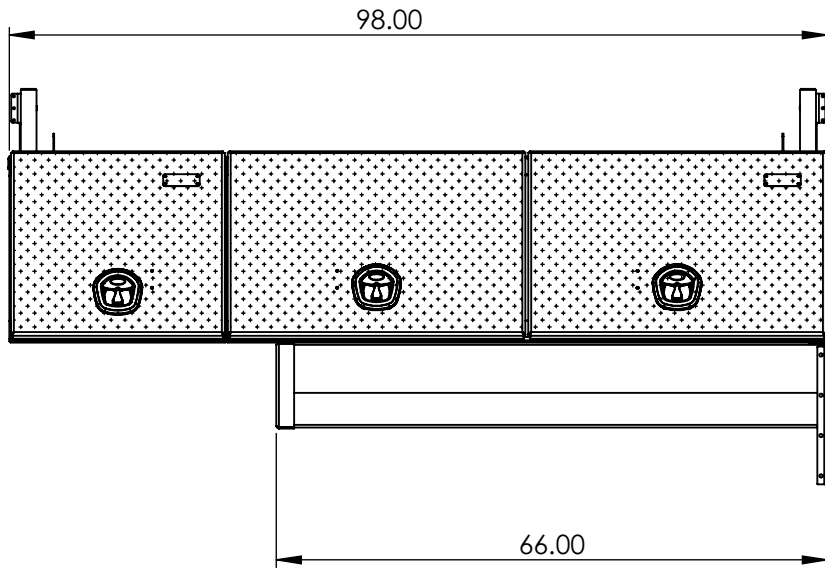
I 1 OF 1



****CHECKER LIDS****

STANDARD PACK INCLUDES:

- (1) x LEFT SIDE BOX w/ ADJUSTABLE SHELVES
- (1) x RIGHT SIDE BOX w/ ADJUSTABLE SHELVES
- (1) x CROSS BOX w/ ADJUSTABLE SHELF
- (2) x REMOVABLE CROSS TUBES (STAINLESS)
- (4) x LADDER RACK RECEIVER POSTS (STAINLESS)
- (2) x UNDER MOUNT BED TRAYS
- (2) x BACK CORNER MOUNT GUSSETS
- (1) x HARDWARE KIT & INSTALLATION GUIDE



Part No.:

3020

MATERIAL: 5052 (Alum)

THICKNESS: 0.125

FINISH: Smooth

DWG. NO.: 4116-2-00-I

Approx. Weight: 323.72 lbs

ICONIC ELEMENTS

TITLE:

REV: SHEET:

Surf. Area: 450.76 sq. ft.

PROPRIETARY AND CONFIDENTIAL
NO PART OF THIS DOCUMENT MAY BE REPRODUCED, STORED IN A RETRIEVAL SYSTEM, OR TRANSMITTED IN ANY FORM, WITHOUT THE WRITTEN PERMISSION OF Iconic Elements Inc.

High Side Truck Pack (Long)

I 1 OF 1