

TOTAL (2) BARS

Part No.:	MATERIAL: AISI 304 (SS)	THICKNESS: 11 Ga. (0.1196)	FINISH: Coated	DWG. NO.: 4122-6-00-A
3055	Approx. Weight: 17.38 lbs	ICONIC ELEMENTS (ICONIC METALGEAR) TITLE:		REV: SHEET:
	Surf. Area: 6.55 sq. ft.	<small>PROPRIETARY AND CONFIDENTIAL NO PART OF THIS DOCUMENT MAY BE REPRODUCED, STORED IN A RETRIEVAL SYSTEM, OR TRANSMITTED IN ANY FORM, WITHOUT THE WRITTEN PERMISSION OF Iconic Elements Inc. (ICONIC METALGEAR)</small>		A 1 OF 1
			Roof Rack (High)	

5

4

3

2

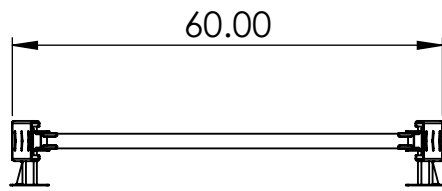
1

D

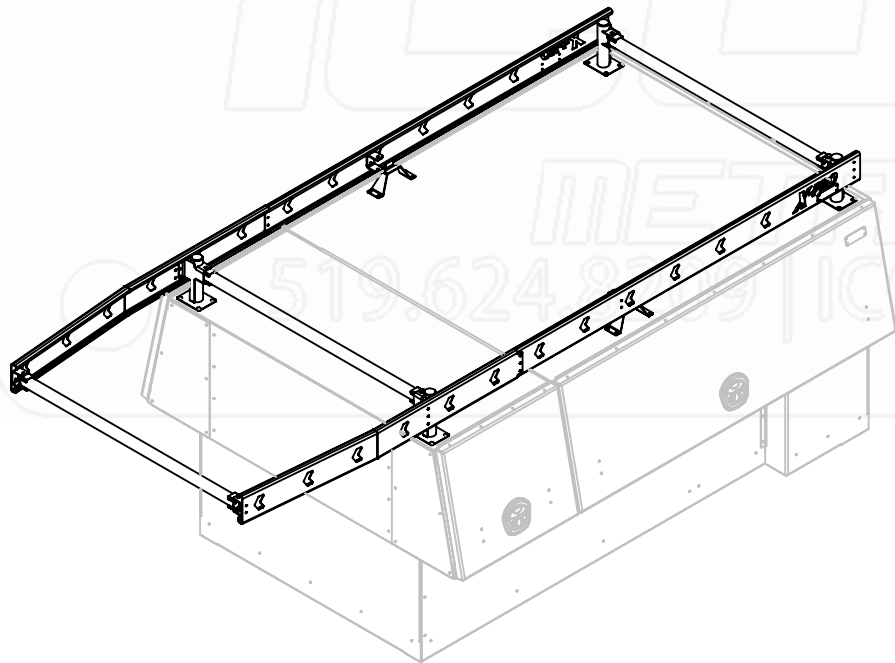
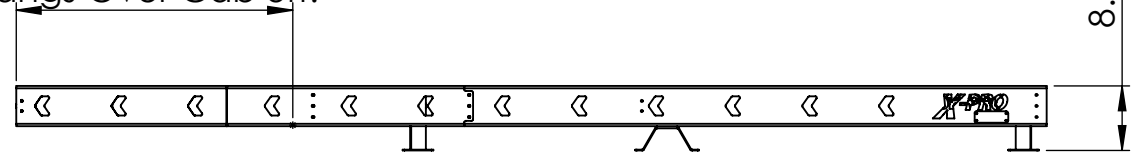
C

B

A



Hangs Over Cab 3ft.



TOTAL (3) BARS

Part No.:

3056

MATERIAL: 5052 (Alum)

THICKNESS: 0.125

FINISH: Smooth

DWG. NO.: 4122-7-00-A

Approx. Weight: 72.01 lbs

ICONIC ELEMENTS (ICONIC METALGEAR) TITLE:

REV: SHEET:

Surf. Area: 47.62 sq. ft.

PROPRIETARY AND CONFIDENTIAL
NO PART OF THIS DOCUMENT MAY BE REPRODUCED, STORED IN A RETRIEVAL SYSTEM, OR TRANSMITTED IN ANY FORM, WITHOUT THE WRITTEN PERMISSION OF Iconic Elements Inc. (ICONIC METALGEAR)

Roof Rail

A 1 OF 1

5

4

3

2

1