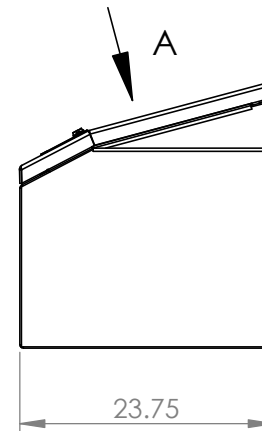
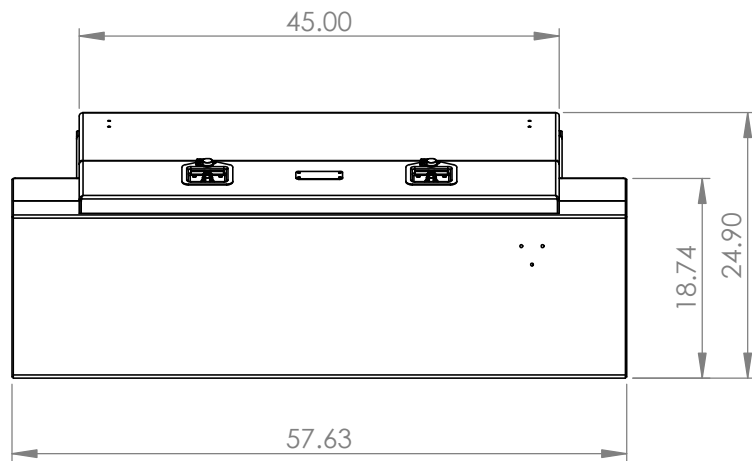


VIEW A



Part No.:

3019

MATERIAL: 5052 (Alum)

Approx. Weight: 77.42 lbs

Surf. Area: 103.36 sq. ft.

THICKNESS: 0.125

ICONIC ELEMENTS

PROPRIETARY AND CONFIDENTIAL
NO PART OF THIS DOCUMENT MAY BE REPRODUCED, STORED IN A RETRIEVAL SYSTEM, OR TRANSMITTED IN ANY FORM, WITHOUT THE WRITTEN PERMISSION OF Iconic Elements Inc.

FINISH: Smooth

TITLE:

Chest Box

DWG. NO.: 4109-0-00-C

REV: SHEET:

C 1 OF 1