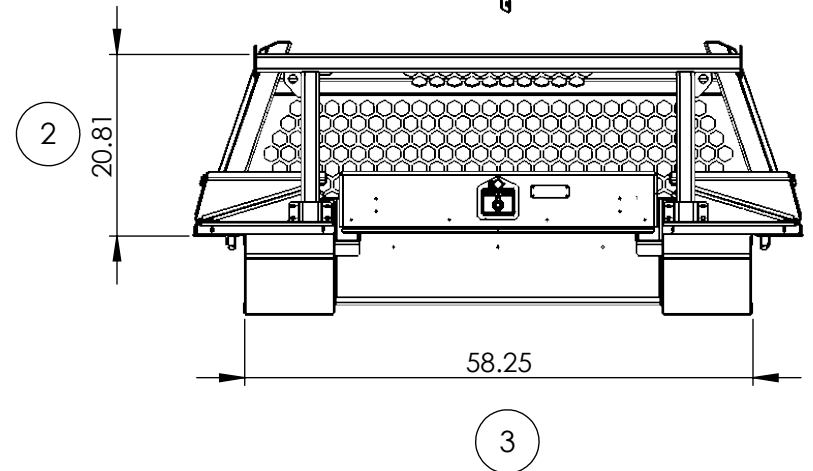
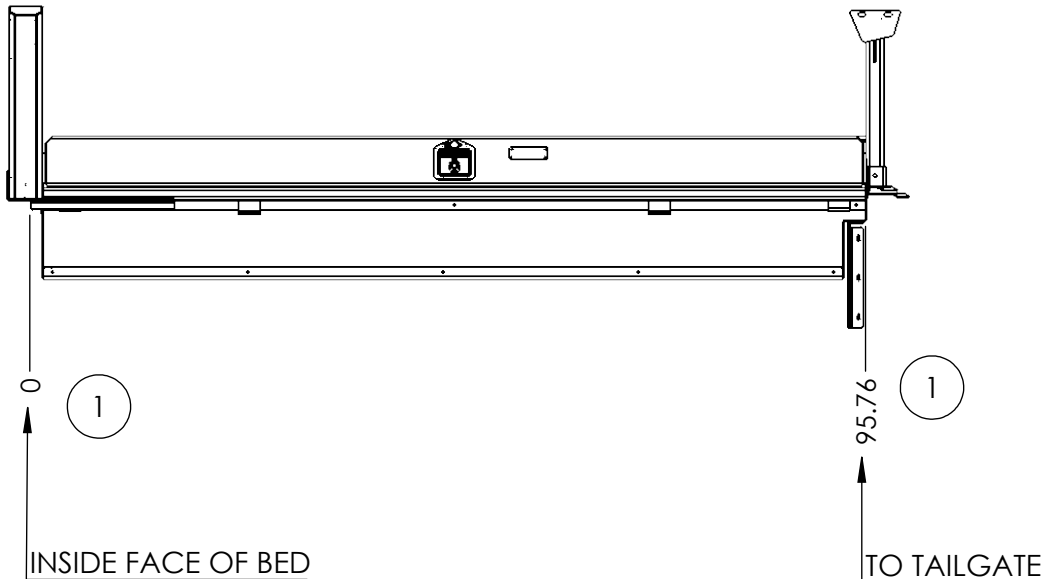
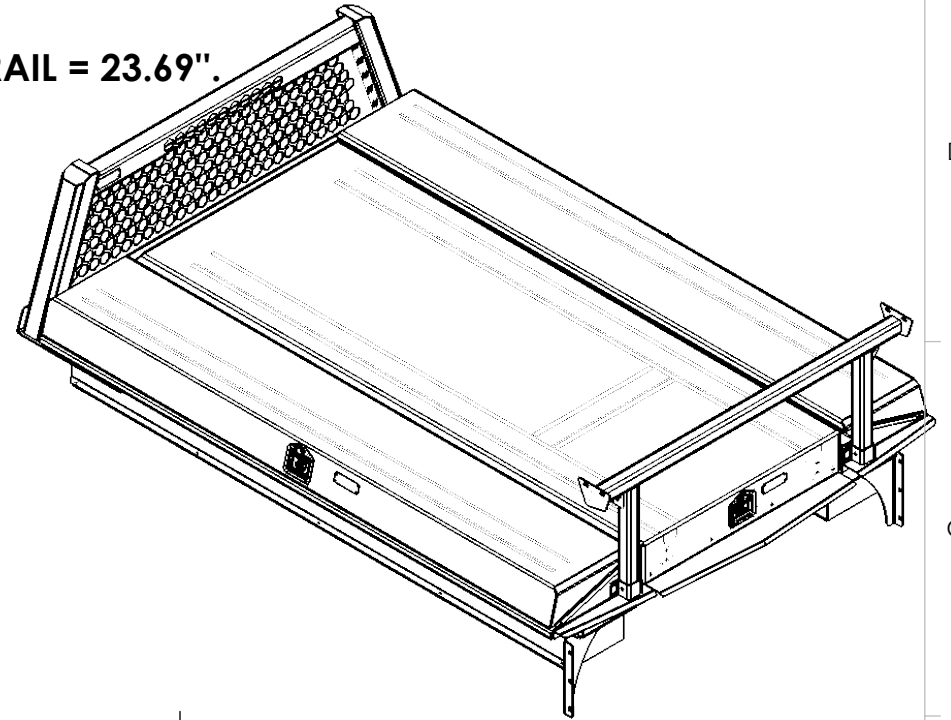


1. FACE OF BED FRONT TO FACE OF TAILGATE = 95.76".
2. LADDER RACK TOP OF BED TO TOP OF LADDER RACK RAIL = 23.69".
3. OUTSIDE OF BOXES = 58.25".



Part No.:	MATERIAL: 3003 (Alum)	THICKNESS: 0.125	FINISH: Checker	DWG. NO.: 4032-0-00-K
3013	Approx. Weight: 312.64 lbs	ICONIC ELEMENTS		REV: SHEET:
	Surf. Area: 388.61 sq. ft.	<small>PROPRIETARY AND CONFIDENTIAL NO PART OF THIS DOCUMENT MAY BE REPRODUCED, STORED IN A RETRIEVAL SYSTEM, OR TRANSMITTED IN ANY FORM, WITHOUT THE WRITTEN PERMISSION OF Iconic Elements Inc.</small>		K 1 OF 4
		TITLE: Low Side Pack, Long Box, Full		

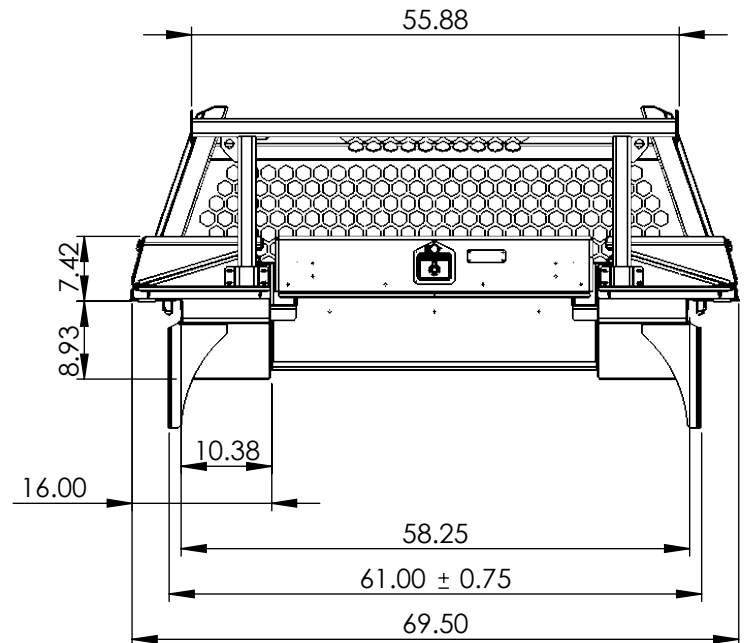
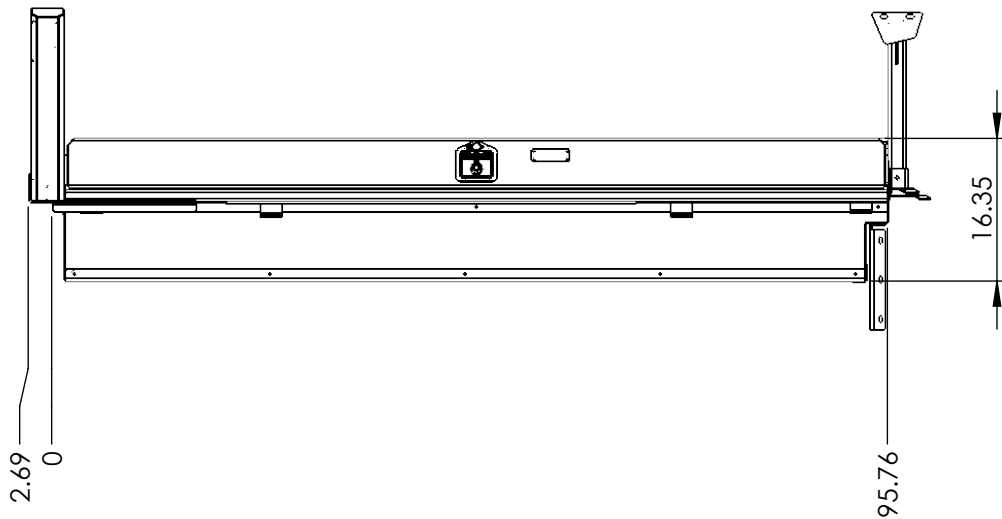
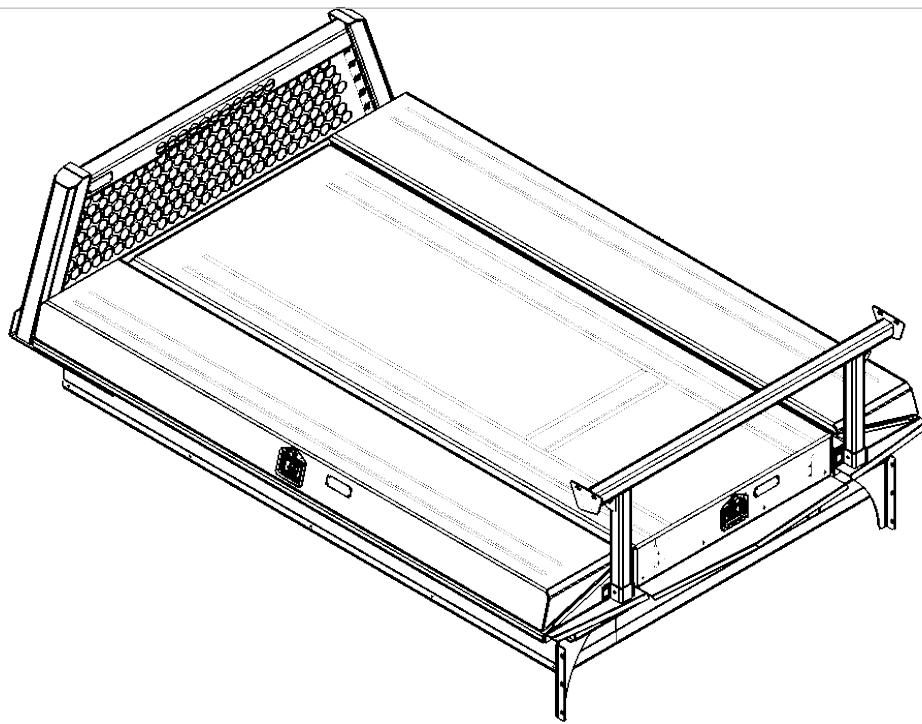
5

4

3

2

1



Part No.:

3013

MATERIAL: 3003 (Alum)

Approx. Weight: 312.64 lbs

Surf. Area: 388.61 sq. ft.

THICKNESS: 0.125

ICONIC ELEMENTS

PROPRIETARY AND CONFIDENTIAL
NO PART OF THIS DOCUMENT MAY BE REPRODUCED, STORED IN A RETRIEVAL SYSTEM, OR TRANSMITTED IN ANY FORM, WITHOUT THE WRITTEN PERMISSION OF Iconic Elements Inc.

FINISH: Checker

TITLE:

Low Side Pack, Long Box, Full

DWG. NO.: 4032-0-00-K

REV: SHEET:

K 2 OF 4

5

4

3

2

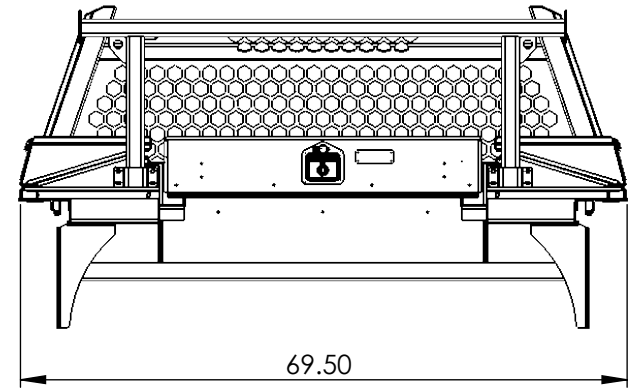
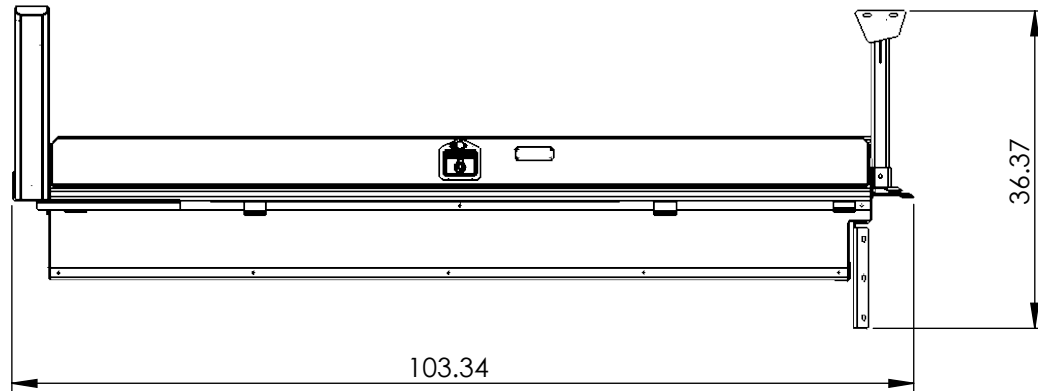
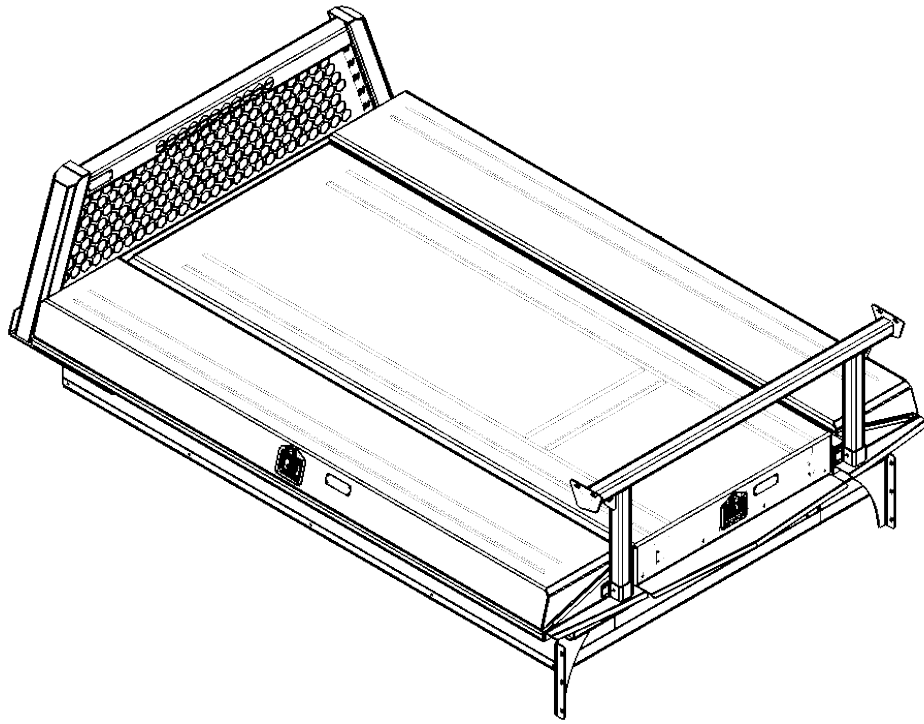
1

D

C

B

A



Part No.:

3013

MATERIAL: 3003 (Alum)

Approx. Weight: 312.64 lbs

Surf. Area: 388.61 sq. ft.

THICKNESS: 0.125

ICONIC ELEMENTS

PROPRIETARY AND CONFIDENTIAL
NO PART OF THIS DOCUMENT MAY BE REPRODUCED, STORED IN A RETRIEVAL SYSTEM, OR TRANSMITTED IN ANY FORM, WITHOUT THE WRITTEN PERMISSION OF Iconic Elements Inc.

FINISH: Checker

TITLE:

Low Side Pack, Long Box, Full

DWG. NO.: 4032-0-00-K

REV: SHEET:

K 3 OF 4

5

4

3

2

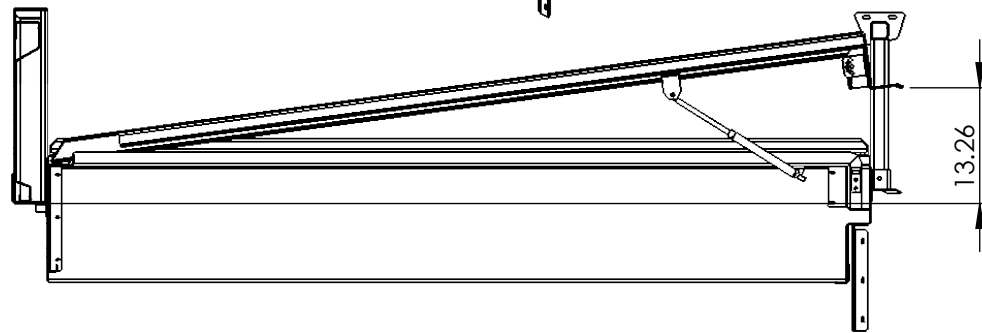
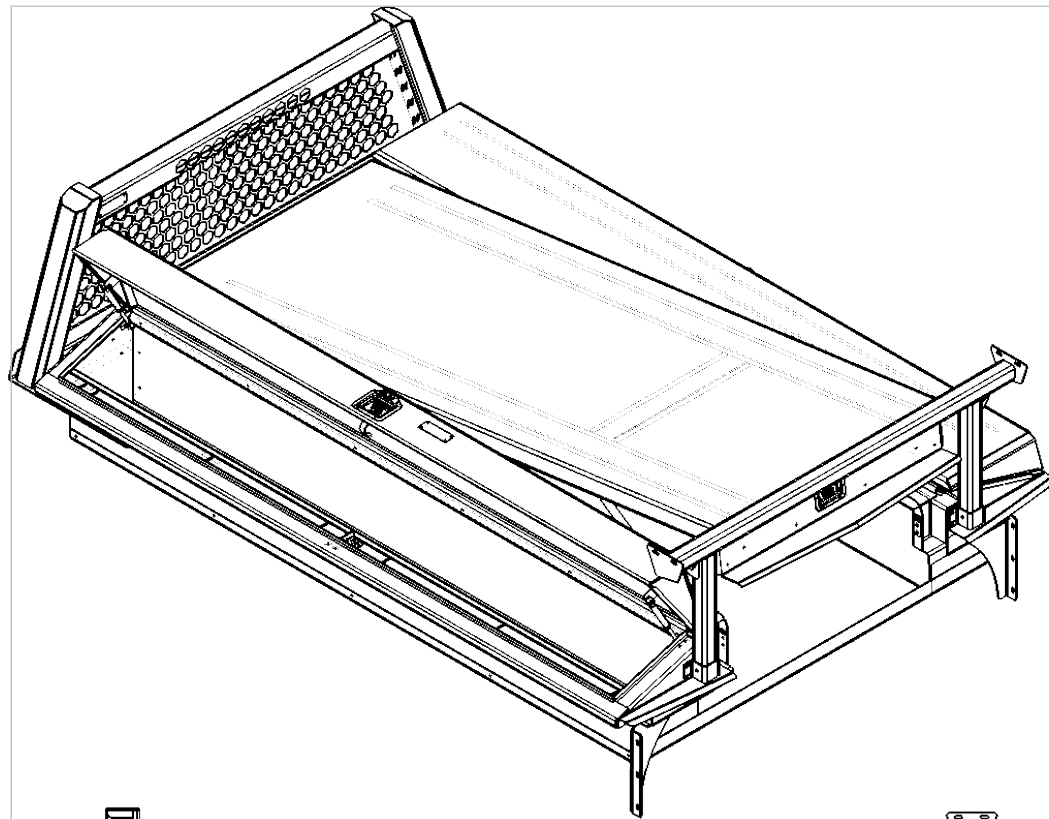
1

D

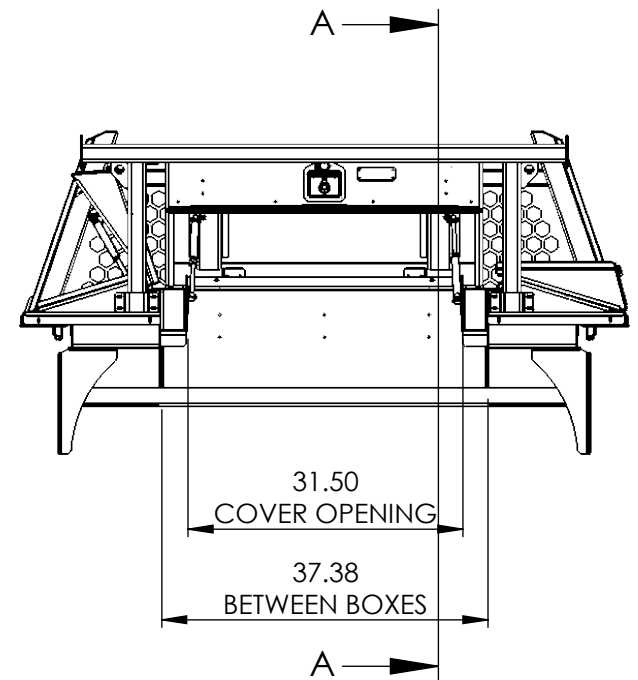
C

B

A



SECTION A-A



Part No.:

3013

MATERIAL: 3003 (Alum)

Approx. Weight: 311.69 lbs

Surf. Area: 388.61 sq. ft.

THICKNESS: 0.125

ICONIC ELEMENTS

PROPRIETARY AND CONFIDENTIAL
NO PART OF THIS DOCUMENT MAY BE REPRODUCED, STORED IN A RETRIEVAL SYSTEM, OR TRANSMITTED IN ANY FORM, WITHOUT THE WRITTEN PERMISSION OF Iconic Elements Inc.

FINISH: Checker

TITLE:

Low Side Pack, Long Box, Full

DWG. NO.: 4032-0-00-K

REV: SHEET:

K 4 OF 4