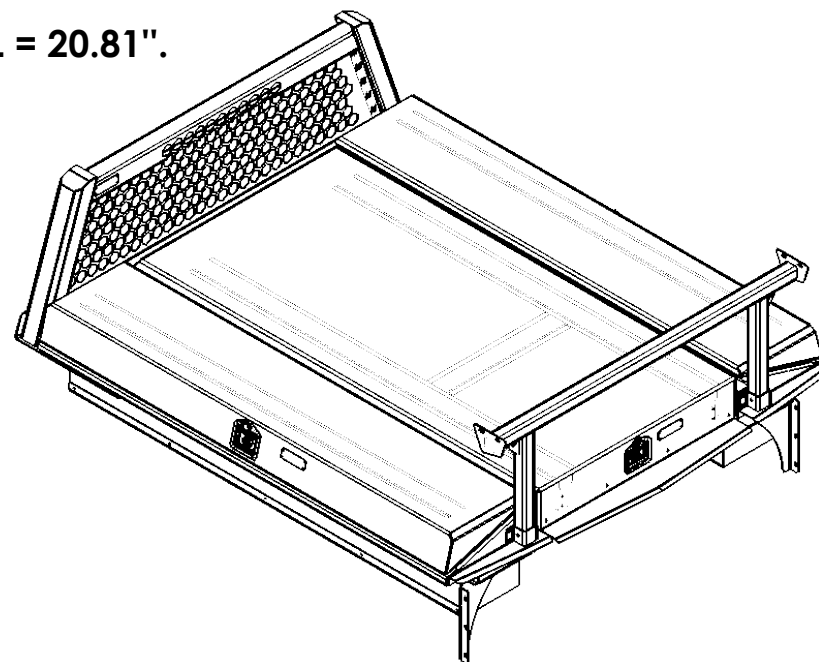


1. FACE OF BED FRONT TO FACE OF TAILGATE = 76.76".
2. LADDER RACK TOP OF BED TO TOP OF LADDER RACK RAIL = 20.81".
3. OUTSIDE OF BOXES = 58.25".

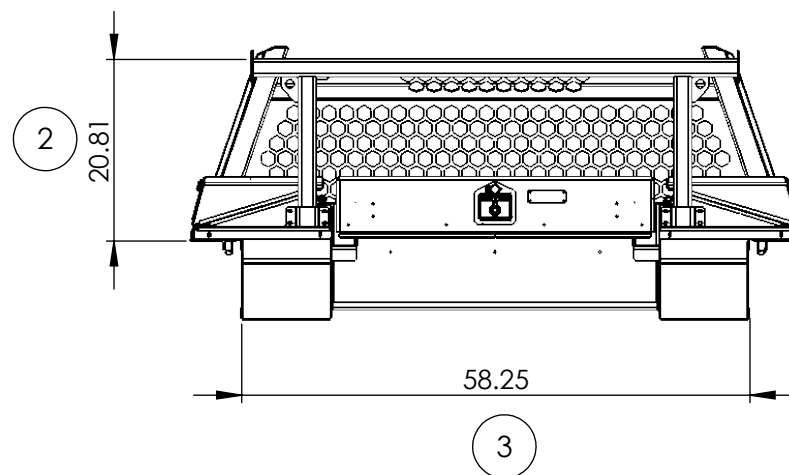
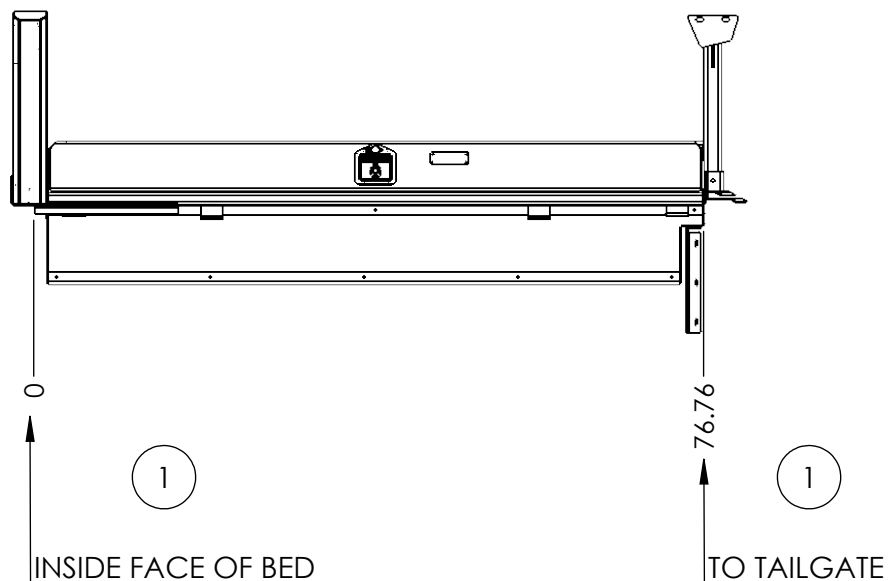


D

C

B

A



Part No.:

3006

MATERIAL: 3003 (Alum)

THICKNESS: 0.125

FINISH: Checker

DWG. NO.: 4030-0-00-K

Approx. Weight: 264.50 lbs
Surf. Area: 327.40 sq. ft.

ICONIC ELEMENTS

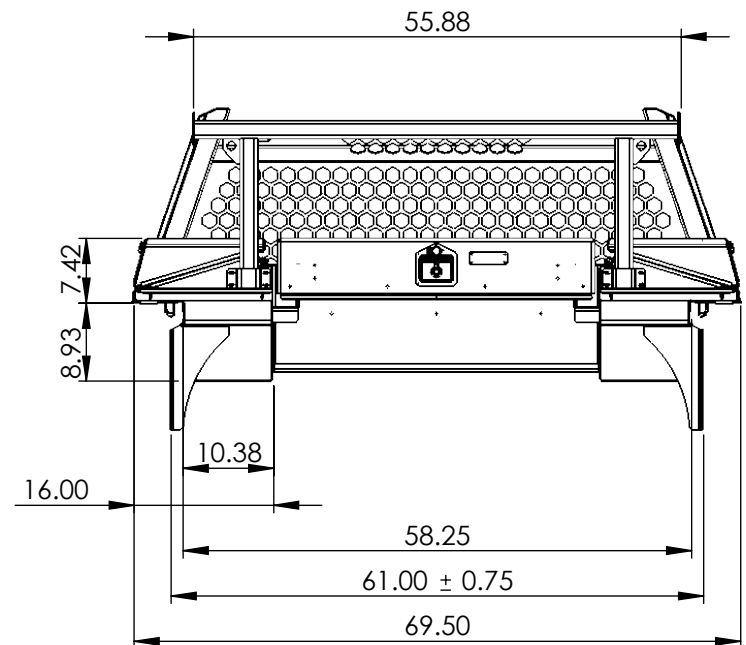
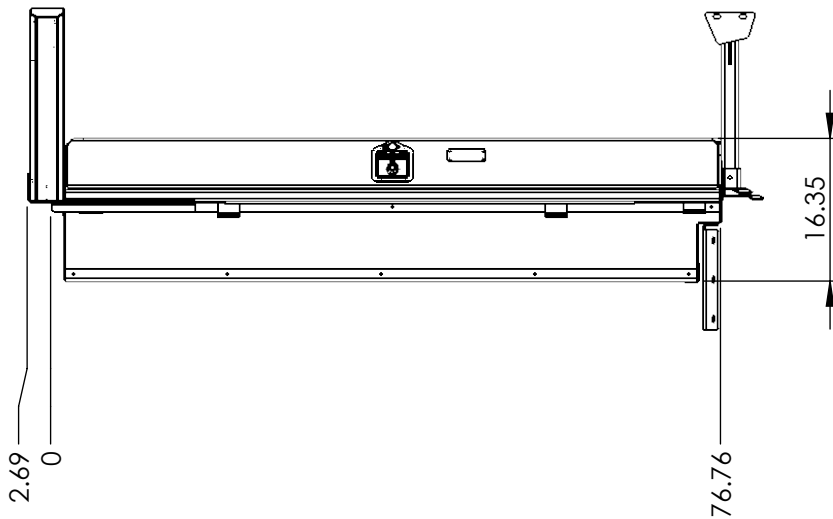
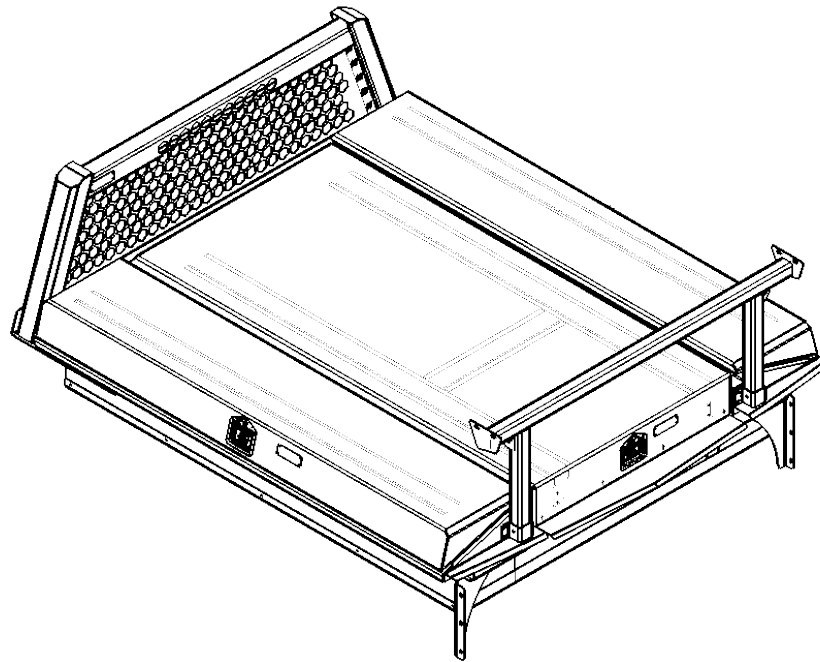
PROPRIETARY AND CONFIDENTIAL
NO PART OF THIS DOCUMENT MAY BE REPRODUCED, STORED IN A RETRIEVAL SYSTEM, OR TRANSMITTED IN ANY FORM, WITHOUT THE WRITTEN PERMISSION OF Iconic Elements Inc.

TITLE:

Low Side Pack, Reg. Box, Full

REV: SHEET:

K 1 OF 4



Part No.:

3006

MATERIAL: 3003 (Alum)

Approx. Weight: 264.50 lbs

Surf. Area: 327.40 sq. ft.

THICKNESS: 0.125

ICONIC ELEMENTS

PROPRIETARY AND CONFIDENTIAL
NO PART OF THIS DOCUMENT MAY BE REPRODUCED, STORED IN A RETRIEVAL SYSTEM, OR TRANSMITTED IN ANY FORM, WITHOUT THE WRITTEN PERMISSION OF Iconic Elements Inc.

FINISH: Checker

TITLE:

Low Side Pack, Reg. Box, Full

DWG. NO.: 4030-0-00-K

REV: SHEET:

K 2 OF 4

5

4

3

2

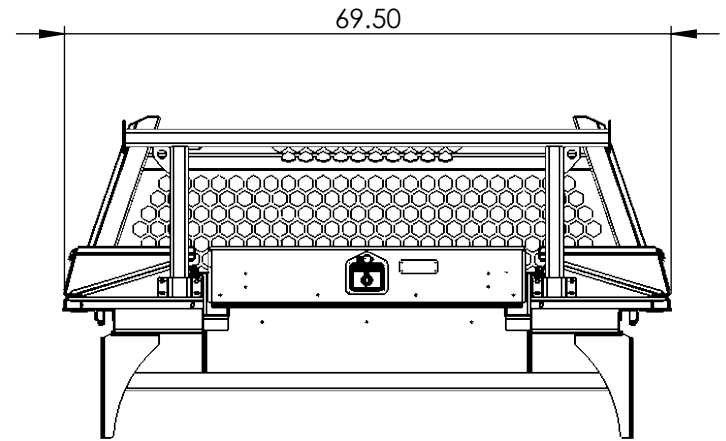
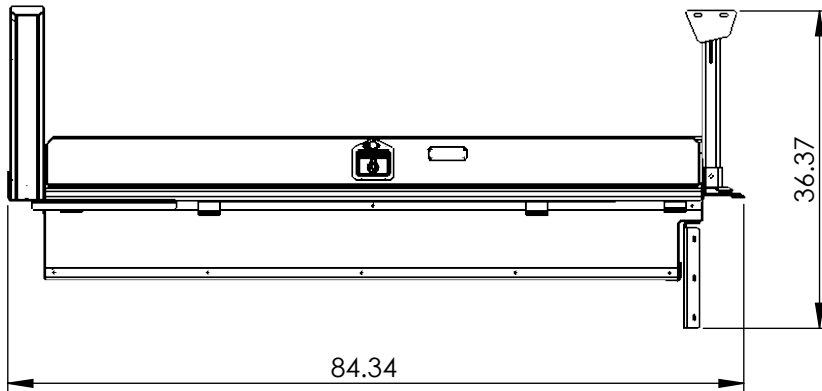
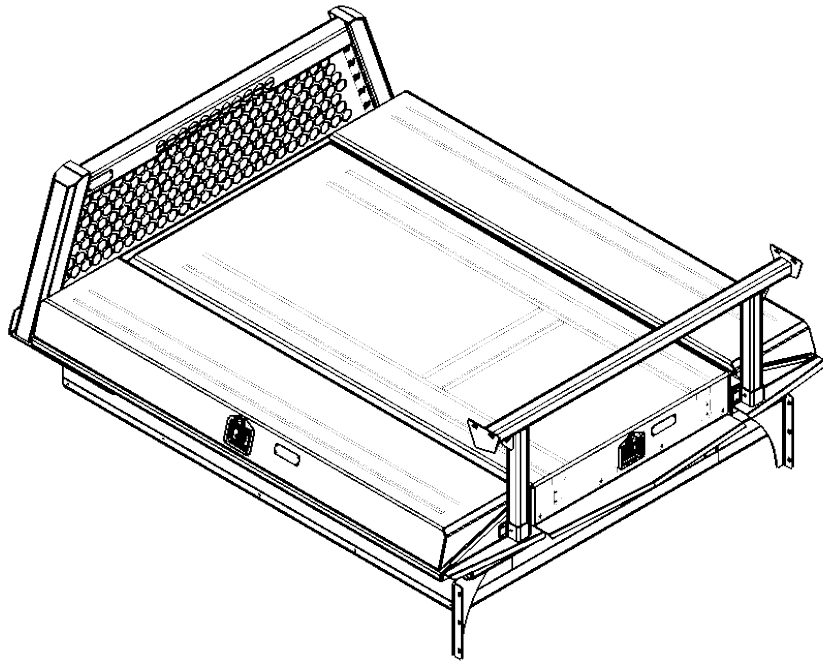
1

D

C

B

A



Part No.:

3006

MATERIAL: 3003 (Alum)

Approx. Weight: 264.50 lbs

Surf. Area: 327.40 sq. ft.

THICKNESS: 0.125

ICONIC ELEMENTS

PROPRIETARY AND CONFIDENTIAL
NO PART OF THIS DOCUMENT MAY BE REPRODUCED, STORED IN A RETRIEVAL SYSTEM, OR TRANSMITTED IN ANY FORM, WITHOUT THE WRITTEN PERMISSION OF Iconic Elements Inc.

FINISH: Checker

TITLE:

Low Side Pack, Reg. Box, Full

DWG. NO.: 4030-0-00-K

REV: SHEET:

K 3 OF 4

5

4

3

2

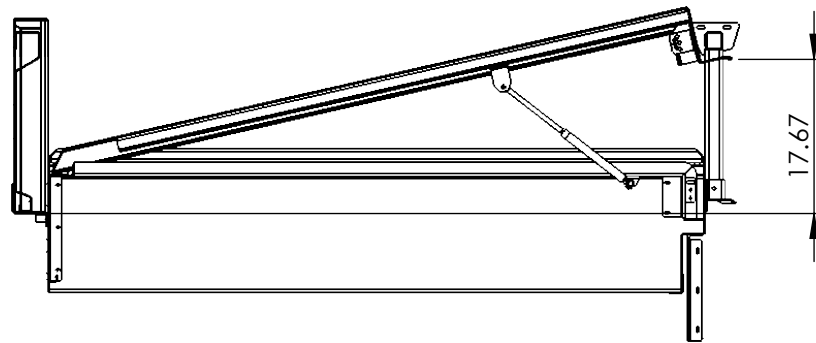
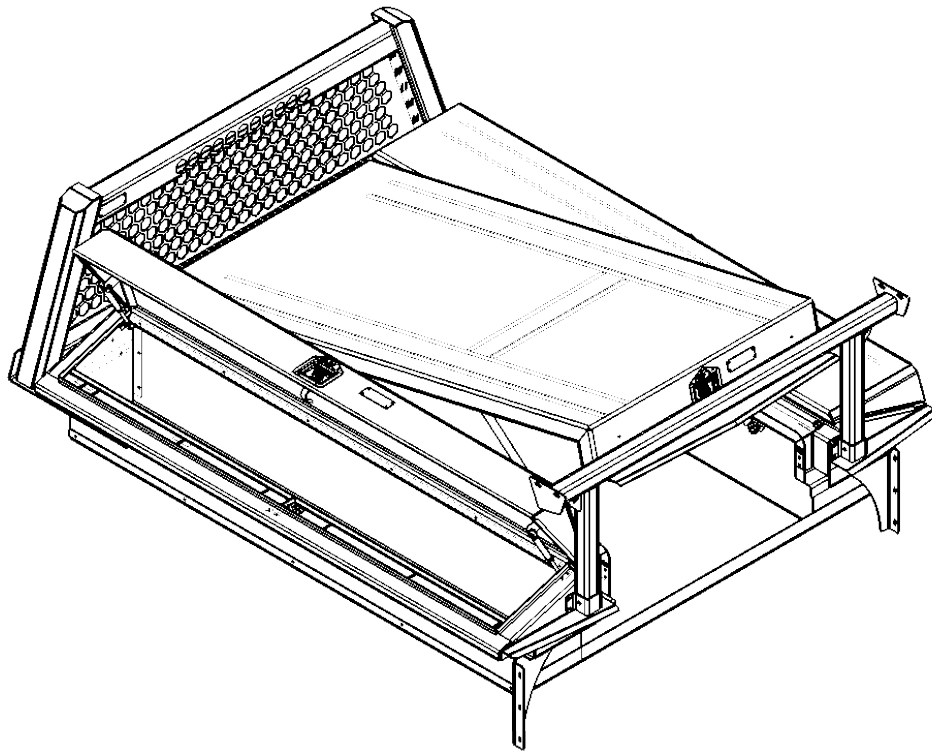
1

D

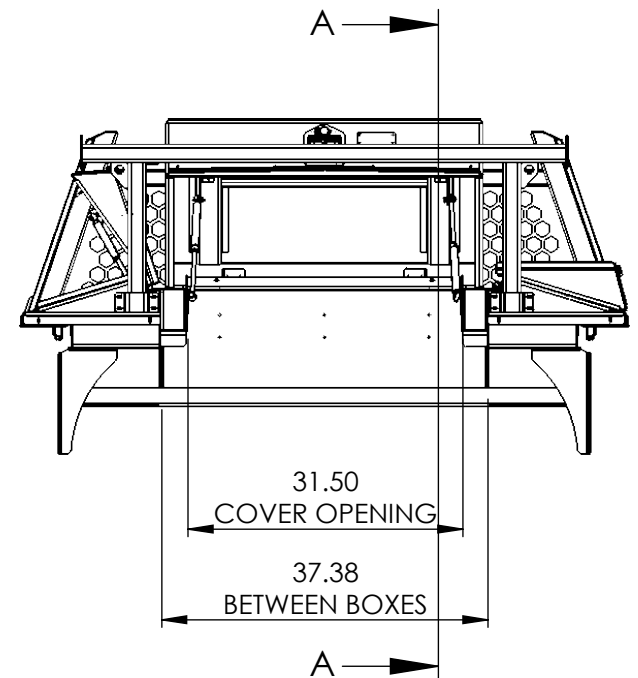
C

B

A



SECTION A-A



Part No.:

3006

MATERIAL: 3003 (Alum)

Approx. Weight: 263.56 lbs

Surf. Area: 327.40 sq. ft.

THICKNESS: 0.125

ICONIC ELEMENTS

PROPRIETARY AND CONFIDENTIAL
NO PART OF THIS DOCUMENT MAY BE REPRODUCED, STORED IN A RETRIEVAL SYSTEM, OR TRANSMITTED IN ANY FORM, WITHOUT THE WRITTEN PERMISSION OF Iconic Elements Inc.

FINISH: Checker

TITLE:

Low Side Pack, Reg. Box, Full

DWG. NO.: 4030-0-00-K

REV: SHEET:

K 4 OF 4