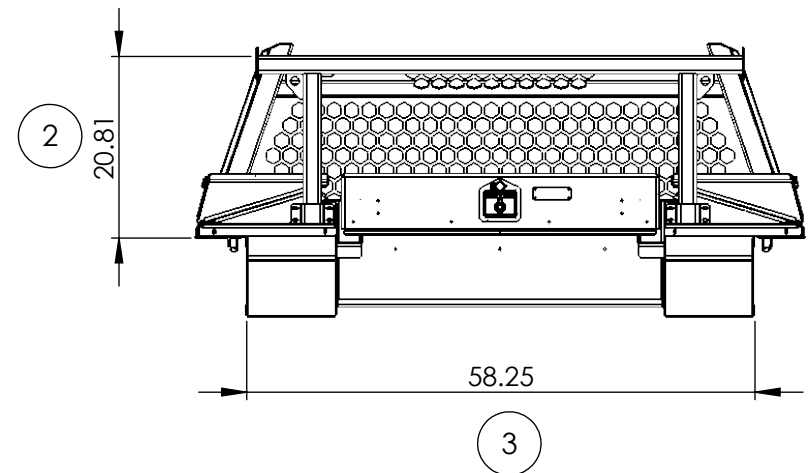
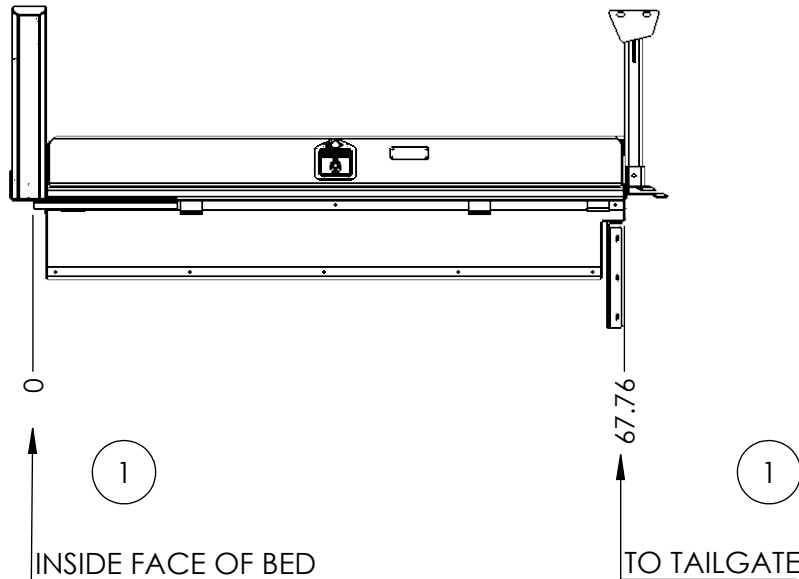
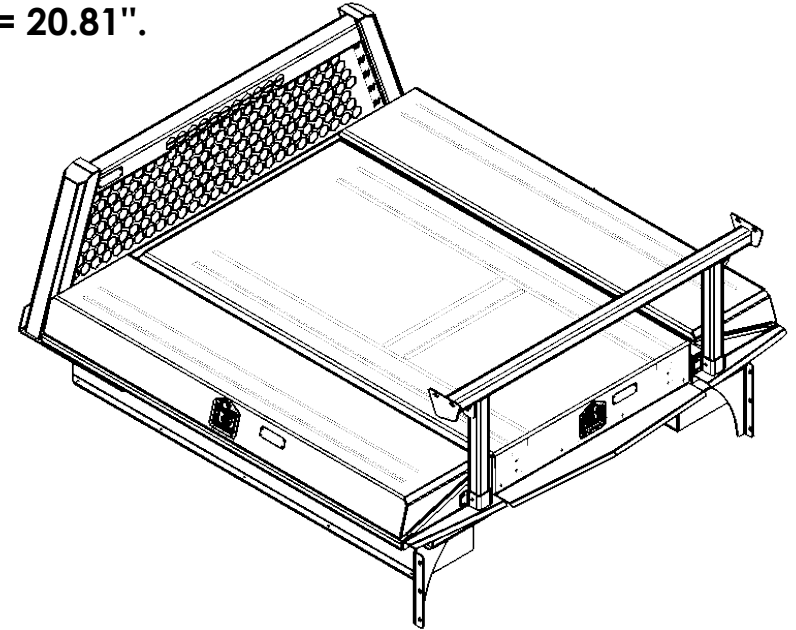


1. FACE OF BED FRONT TO FACE OF TAILGATE = 67.76".
2. LADDER RACK TOP OF BED TO TOP OF LADDER RACK RAIL = 20.81".
3. OUTSIDE OF BOXES = 58.25".



Part No.:

**3004**

MATERIAL: 3003 (Alum)

Approx. Weight: 241.70 lbs

Surf. Area: 298.63 sq. ft.

THICKNESS: 0.125

ICONIC ELEMENTS

PROPRIETARY AND CONFIDENTIAL  
NO PART OF THIS DOCUMENT MAY BE REPRODUCED, STORED IN A RETRIEVAL SYSTEM, OR TRANSMITTED IN ANY FORM, WITHOUT THE WRITTEN PERMISSION OF Iconic Elements Inc.

FINISH: Checker

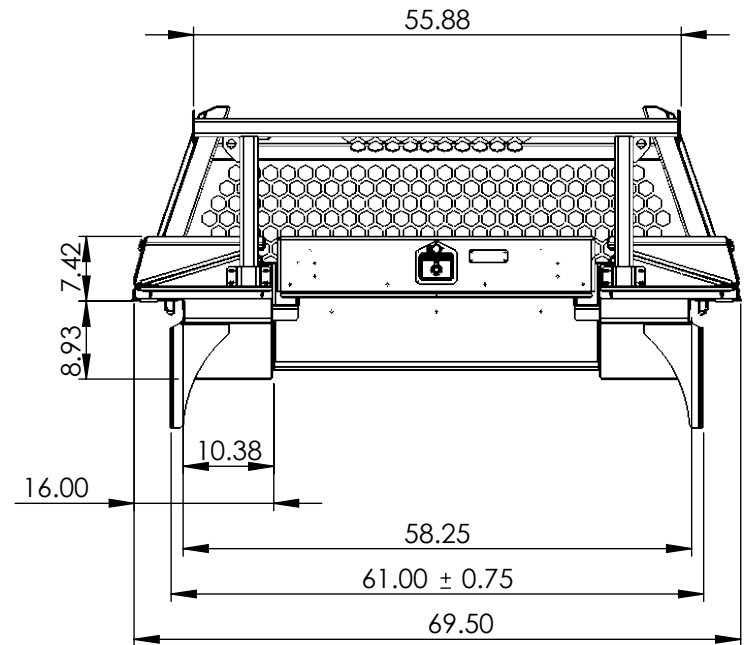
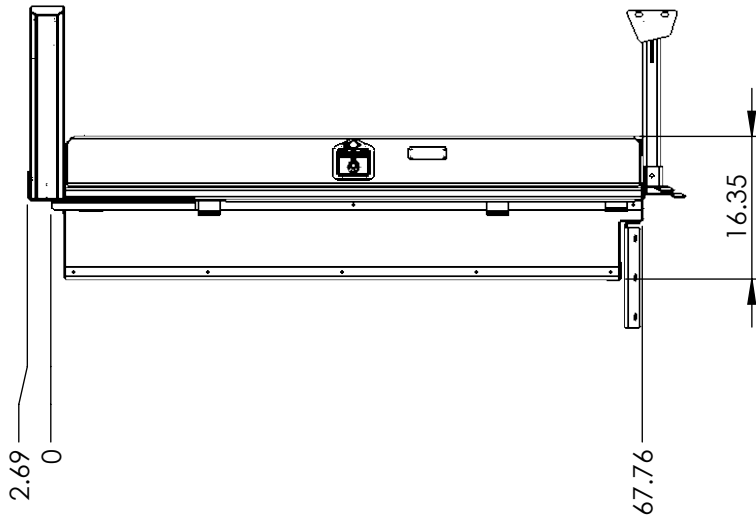
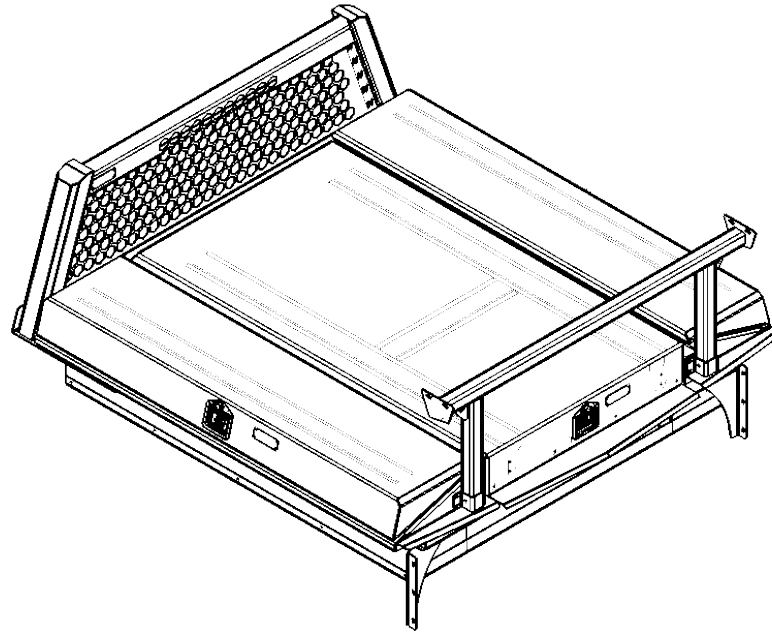
TITLE:

Low Side Pack, Short Box, Full

DWG. NO.: 4028-0-00-K

REV: SHEET:

K 1 OF 4



Part No.:

**3004**

MATERIAL: 3003 (Alum)

Approx. Weight: 241.70 lbs

Surf. Area: 298.63 sq. ft.

THICKNESS: 0.125

ICONIC ELEMENTS

PROPRIETARY AND CONFIDENTIAL  
NO PART OF THIS DOCUMENT MAY BE REPRODUCED, STORED IN A RETRIEVAL SYSTEM, OR TRANSMITTED IN ANY FORM, WITHOUT THE WRITTEN PERMISSION OF Iconic Elements Inc.

FINISH: Checker

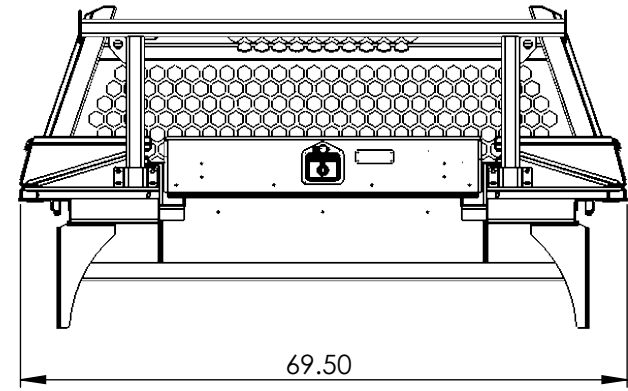
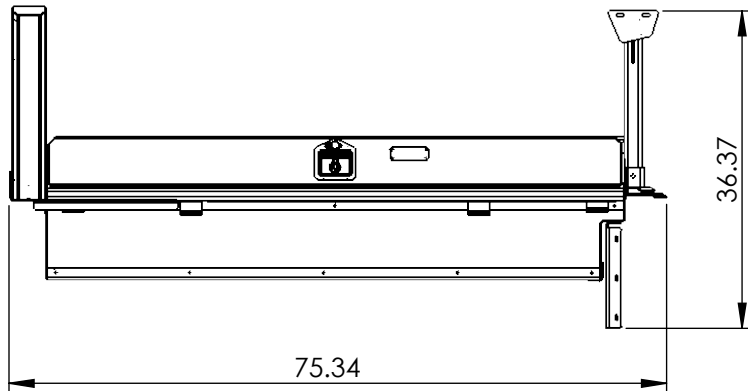
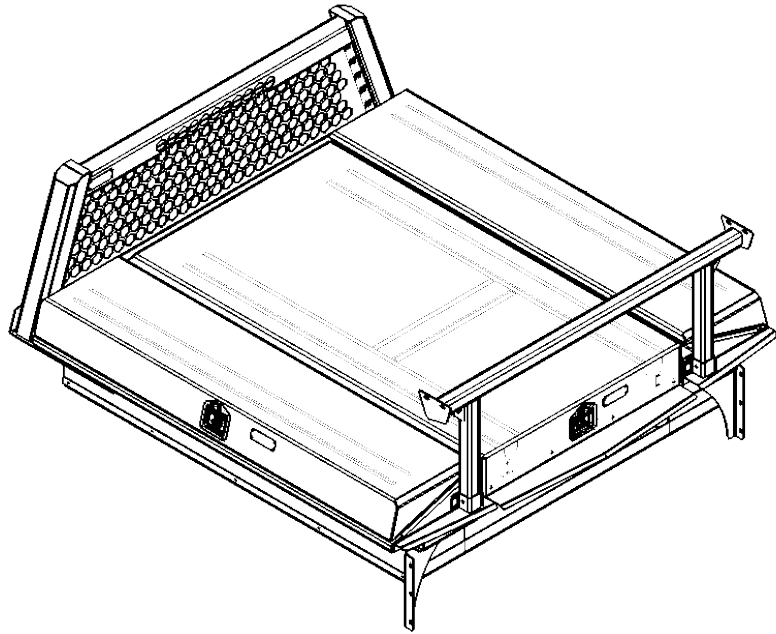
TITLE:

Low Side Pack, Short Box, Full

DWG. NO.: 4028-0-00-K

REV: SHEET:

K 2 OF 4



Part No.:

**3004**

MATERIAL: 3003 (Alum)

Approx. Weight: 241.70 lbs

Surf. Area: 298.63 sq. ft.

THICKNESS: 0.125

**ICONIC ELEMENTS**

PROPRIETARY AND CONFIDENTIAL  
NO PART OF THIS DOCUMENT MAY BE REPRODUCED, STORED IN A RETRIEVAL SYSTEM, OR TRANSMITTED IN ANY FORM, WITHOUT THE WRITTEN PERMISSION OF Iconic Elements Inc.

FINISH: Checker

TITLE:

Low Side Pack, Short Box, Full

DWG. NO.: 4028-0-00-K

REV: SHEET:

**K** 3 OF 4

5

4

3

2

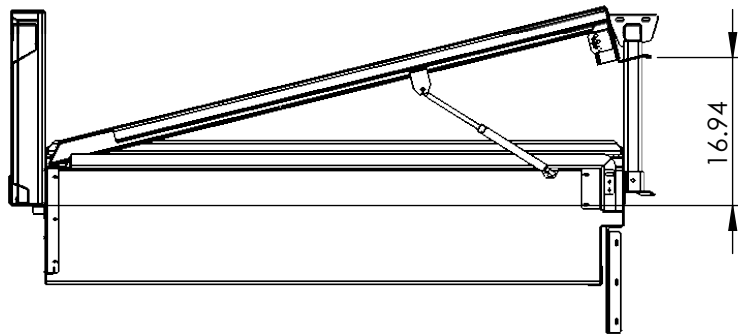
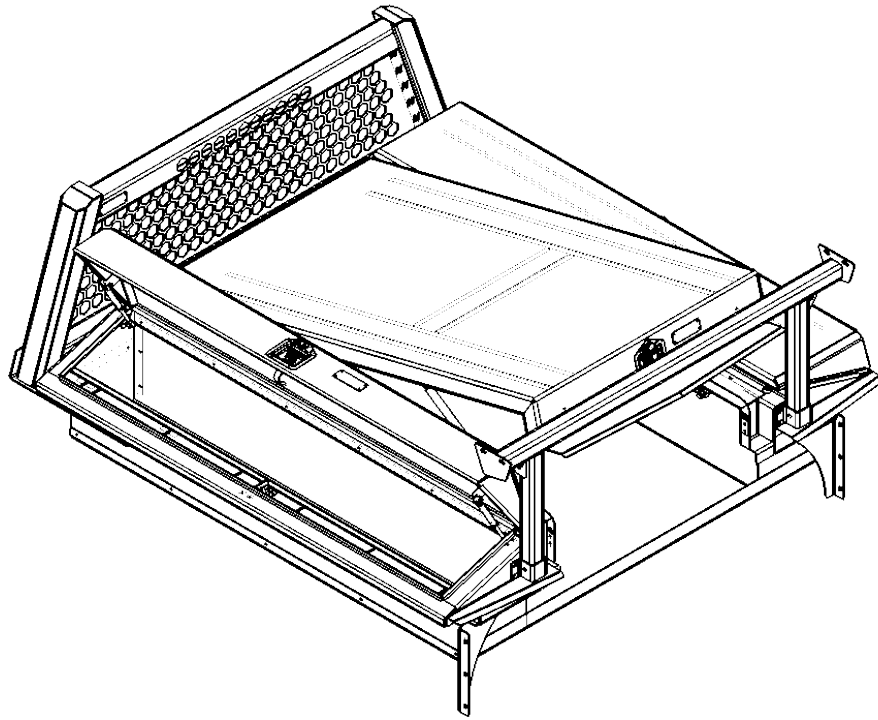
1

D

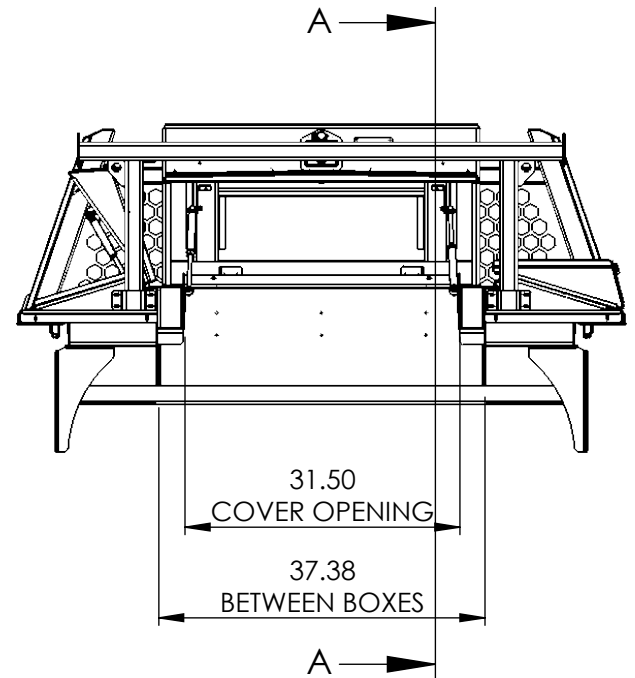
C

B

A



SECTION A-A



Part No.:

**3004**

MATERIAL: 3003 (Alum)

Approx. Weight: 240.76 lbs

Surf. Area: 298.63 sq. ft.

THICKNESS: 0.125

**ICONIC ELEMENTS**

PROPRIETARY AND CONFIDENTIAL  
NO PART OF THIS DOCUMENT MAY BE REPRODUCED, STORED IN A RETRIEVAL SYSTEM, OR TRANSMITTED IN ANY FORM, WITHOUT THE WRITTEN PERMISSION OF Iconic Elements Inc.

FINISH: Checker

TITLE:

Low Side Pack, Short Box, Full

DWG. NO.: 4028-0-00-K

REV: SHEET:

**K** 4 OF 4