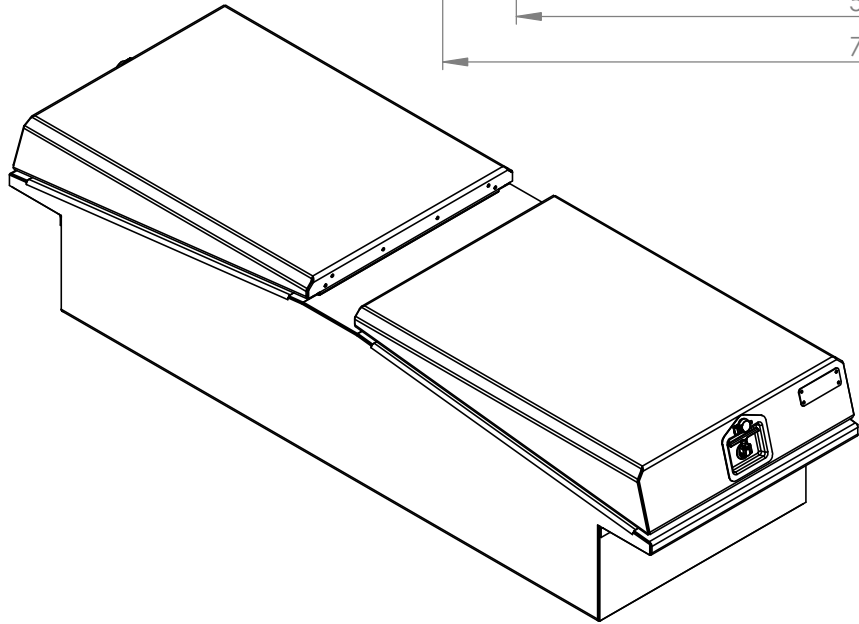
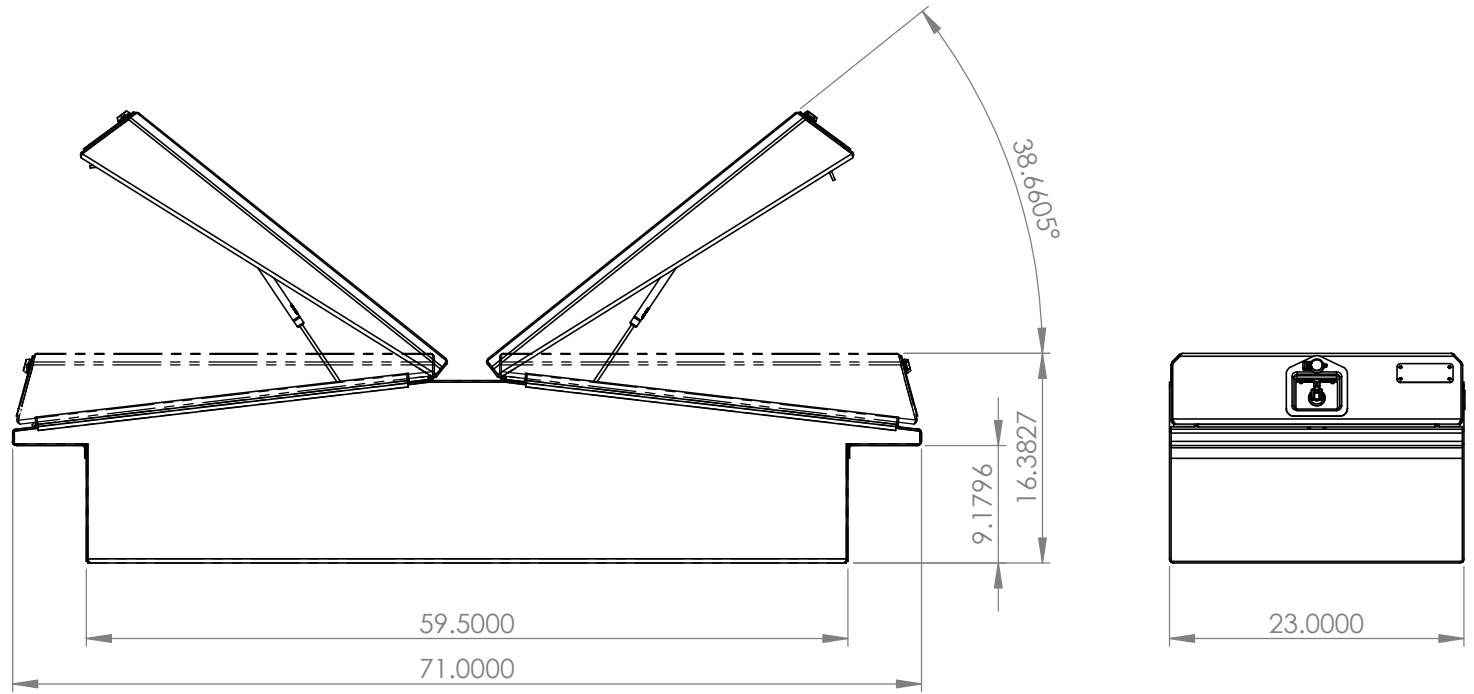


NOTES:

- · — · — Bend down
- · · · · Bend up



**P/N: 3003**

DWG. NO.: 0926-0-00-L

MATERIAL: 5052 (Alum)

THICKNESS: 0.125

FINISH: Smooth

Drawn By HL  
 Date Drawn 11/18/2013  
 Checked By

**PROPRIETARY AND CONFIDENTIAL**  
 NO PART OF THIS DOCUMENT MAY BE REPRODUCED, STORED IN A RETRIEVAL SYSTEM, OR TRANSMITTED IN ANY FORM, WITHOUT THE WRITTEN PERMISSION OF Iconic Elements Inc.

**ICONIC ELEMENTS**  
 UNLESS OTHERWISE SPECIFIED: DIMENSIONS ARE IN INCHES  
 TOLERANCES: X/X±1/16" .XX±.01" .XXX±.005"

TITLE: Natural Alum. Finish

REV: L  
 SHEET: 1 OF 1

5

4

3

2

1