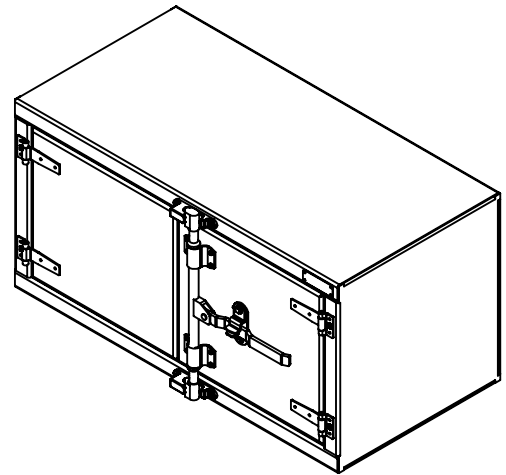
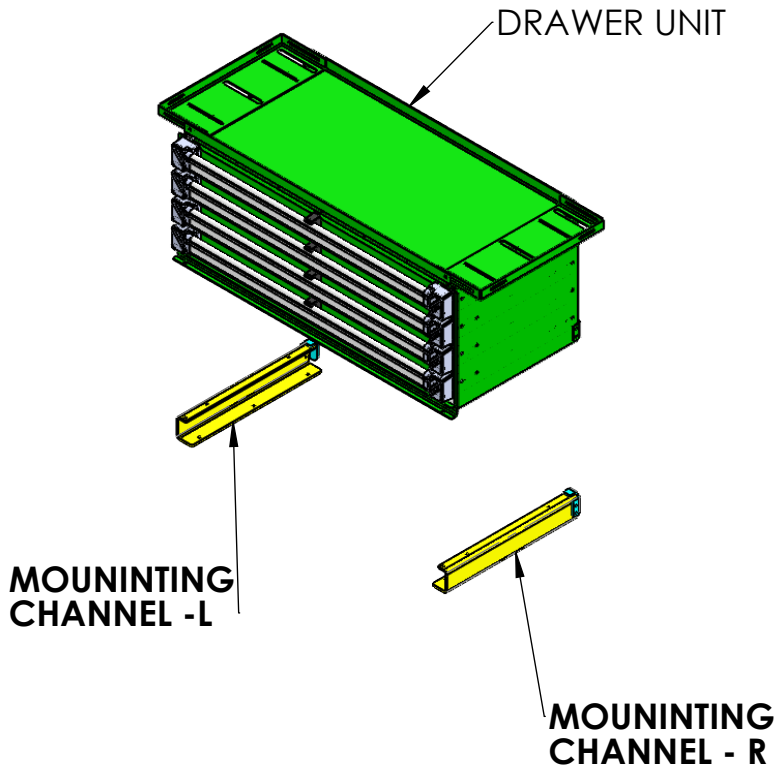




INSTALLATION

DRAWER SYSTEMS

Iconic Drawer Unit Installation Instruction



P/N: 1010 Camlock Box shown as an example

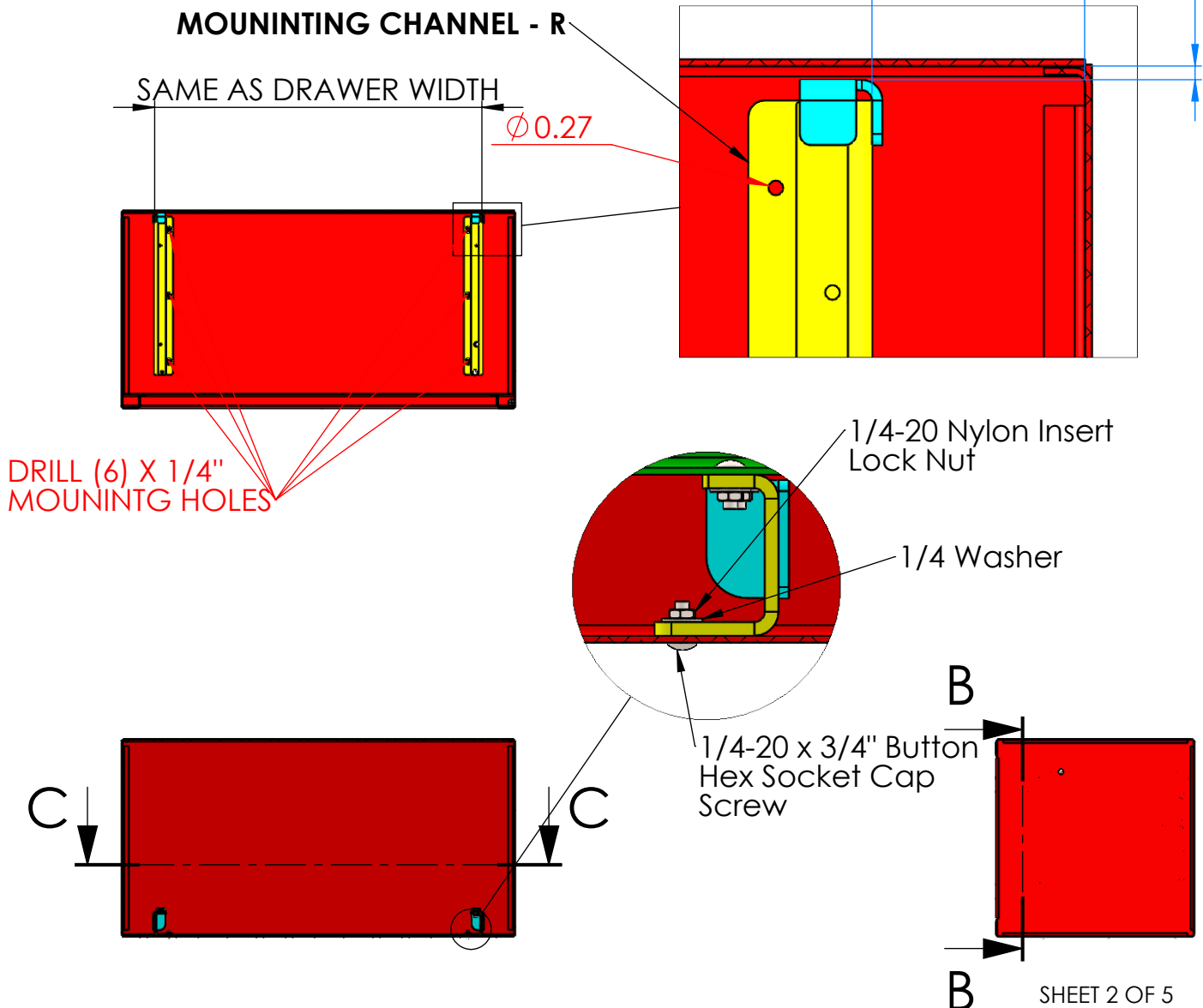
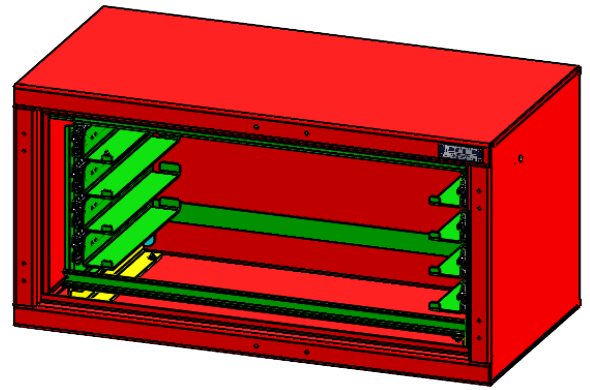
Hardware List		
#	Description	QTY
1	1/4-20 x 3/4" Button Hex Socket Cap Screw, S/S	10
2	1/4-20 Nylon Insert Lock Nut S/S	24
3	1/4 Washer, S/S	24
4	1/4"-20 x 3/4" Carriage Bolt, S/S	6
5	1/4"-20 x 1/2" Carriage Bolt, S/S	8

STEP 1: Install mounting channels

1.1
Position the left and right mounting channels in the correct location.

1.2
Mark and drill six 1/4" (0.27") clearance holes in total, with three on each side.

1.3
Secure the mounting channels by installing the
-(6) x 1/4 -20x3/4 Button Hex Socket Cap Screws
-(6) x 1/4" washers
-(6) x 1/4-20 Nylon Insert Lock Nuts
as shown in the instructions.



STEP 2: Install drawer unit on the mounting channel.

2.1

For easier lifting and access, remove all the drawer trays

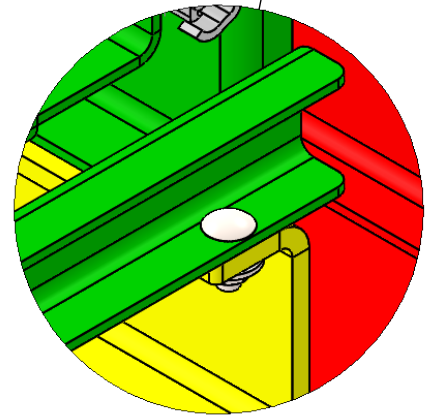
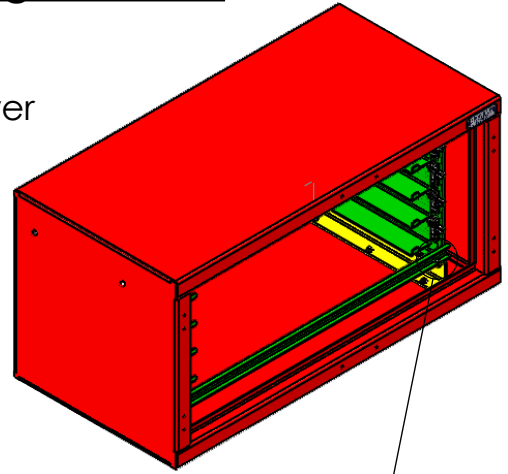
2.2

Slide the body of the drawer into the box.

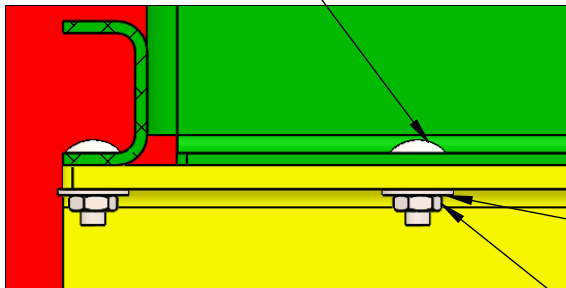
2.3

Install the

- (6) x 1/4"-20 x **3/4"** Carriage Bolt
- (6) x 1/4" washers, and
- (6) x 1/4-20 Nylon Insert Lock Nuts to secure the drawer unit.

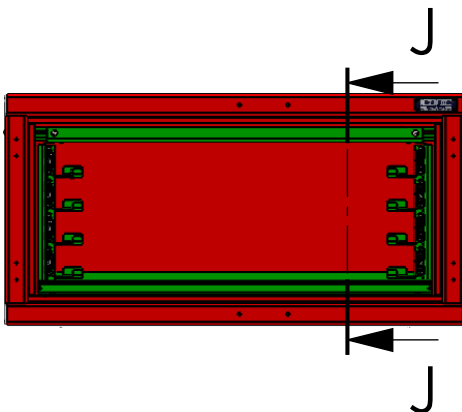


1/4"-20 x **3/4"** Carriage Bolt
***DOUBLE CHECK THE CARRIAGE BOLT WIDTH**

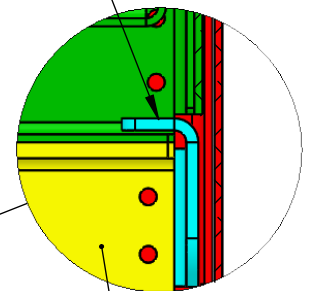
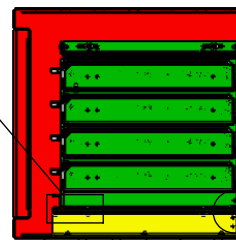


1/4 Washer

1/4-20 Nylon Insert Lock Nut



STOPPER



SECTION J-J

MOUNTING CHANNEL

STEP 3: Install top mounting brackets

3.1

Slide the top mounting brackets all the way out to the side wall of the box.

3.2

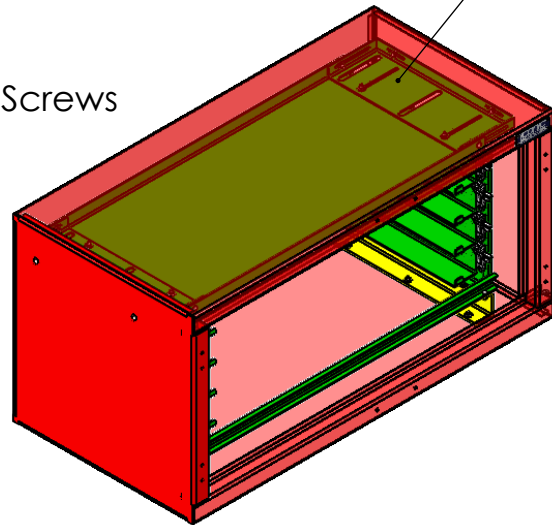
Mark and drill a total of four 1/4" (0.27") mounting holes, with two on each side.

3.3

Install the

- (4) x 1/4" -20 x 3/4" Button Hex Socket Cap Screws
- (4) x 1/4" washers,
- (4) x 1/4-20 Nylon Insert Lock Nuts

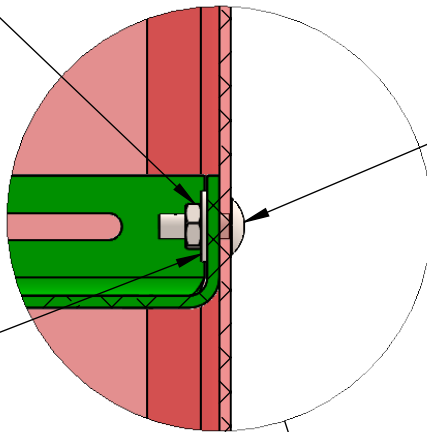
TOP MOUNTING BRACKET



1/4-20 Nylon Insert Lock Nut

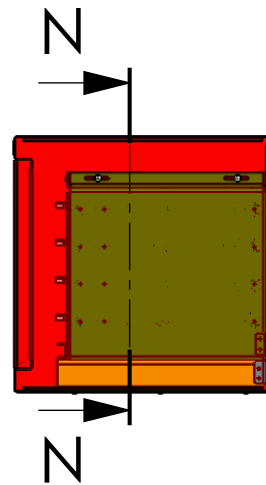
1/4" Washer

1/4-20 x 3/4" Button Hex Socket Cap Screw



SECTION N-N

SCALE 1 : 18

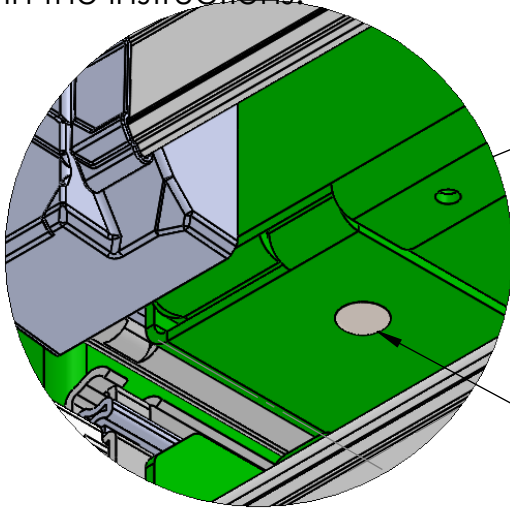
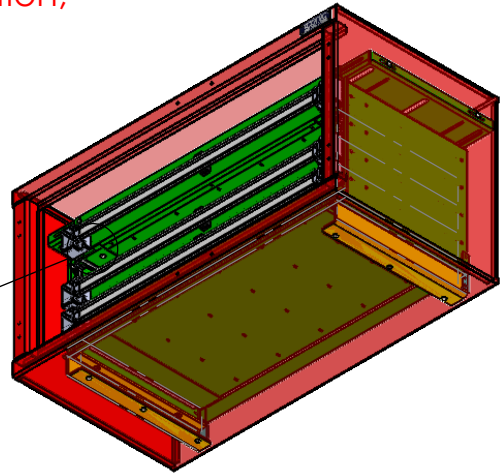


Step 4 & 5: Install drawer trays and fasten trays/slide brackets

- Reinstall the drawer trays.

****If you have the non-removable drawer trays option, fasten the drawer trays and slide brackets.**

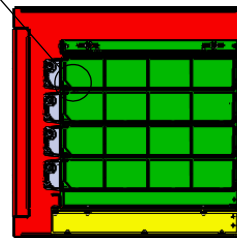
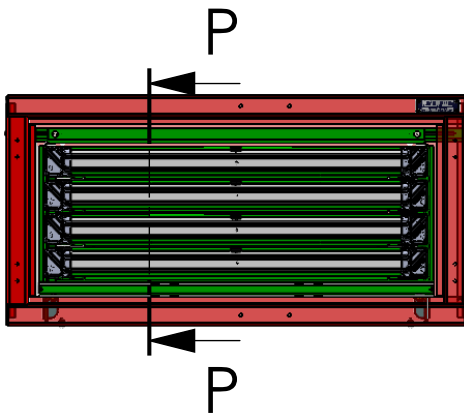
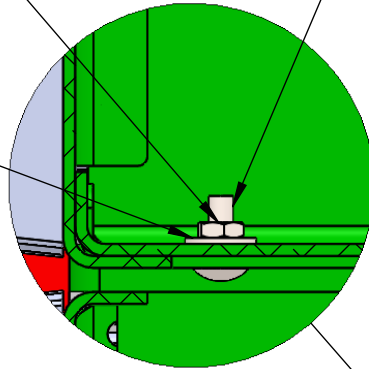
Install the
1/4 -20x1/2 Carriage Bolt
1/4" washer
1/4-20 Nylon Insert Lock Nut
as shown in the instructions.



1/4-20 Nylon Insert Lock Nut

1/4 Washer

1/4"-20 x **1/2"** Carriage Bolt
***DOUBLE CHECK THE CARRIAGE BOLT WIDTH**



SECTION P-P