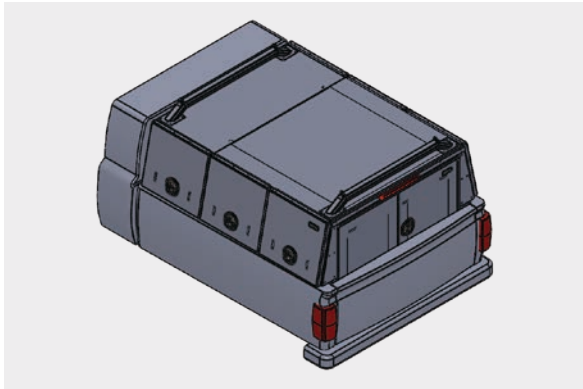




X-ONE TRUCK CAP
8-DOOR

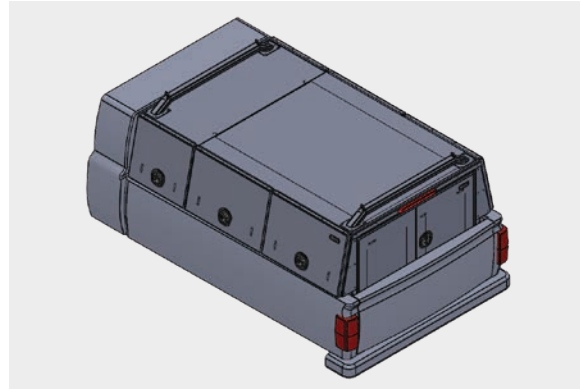


BED SIZES:



REGULAR BOX (PAGE 3)

[GO TO REGULAR BOX](#)



LONG BOX (PAGE 9)

[GO TO LONG BOX](#)



NEW! FLIP UP REAR DOOR

Choose to swap the X-ONE's standard rear barn doors for a single flip-up door. **Now available for every size and configuration.**

X-ONE CONFIGURATIONS:
8-DOOR VERSION

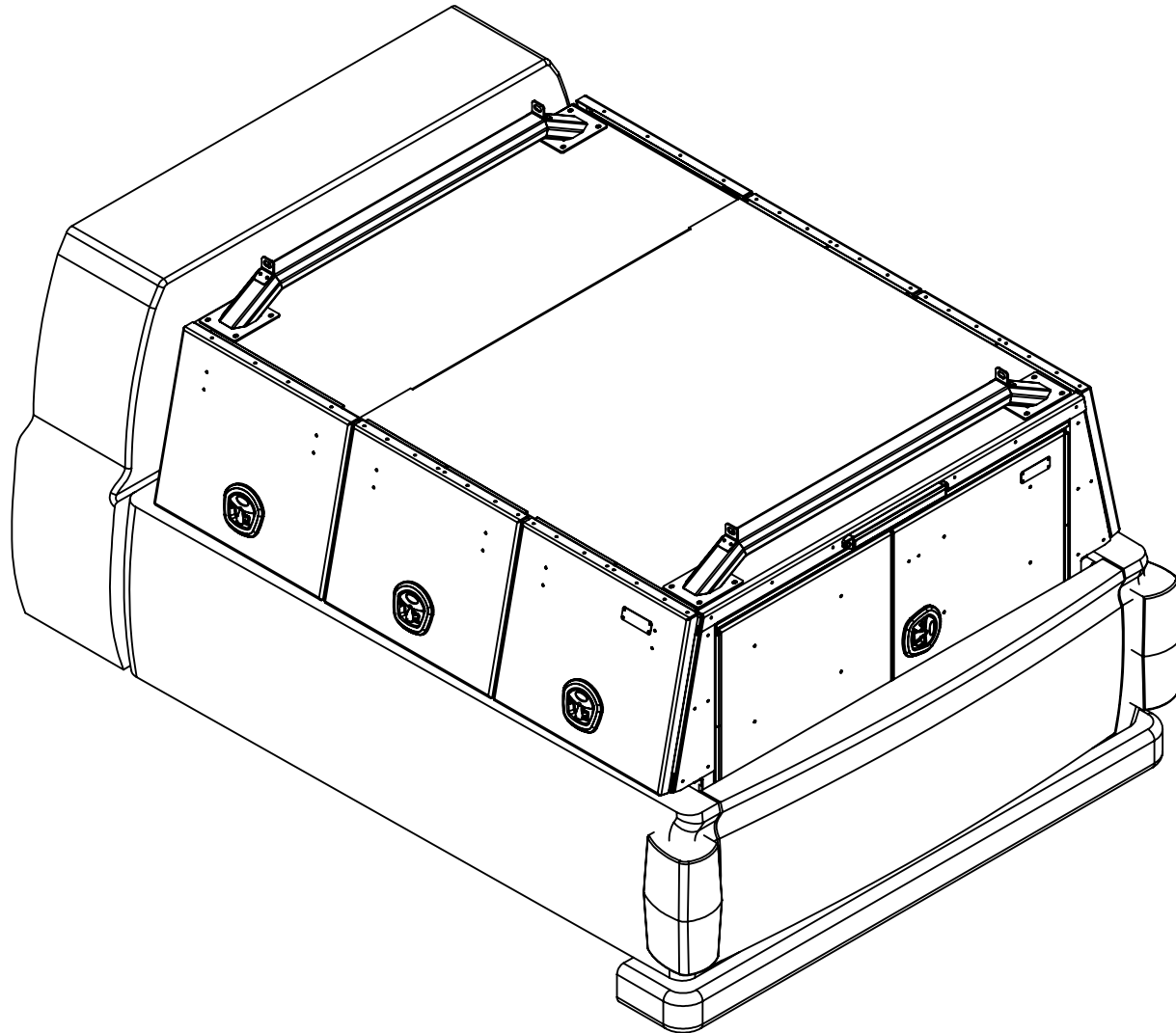


X-ONE Truck Pack

REGULAR BOX (APROX 6.6 FT.)

8 - DOOR

CAB HEIGHT



5

4

3

2

1

D

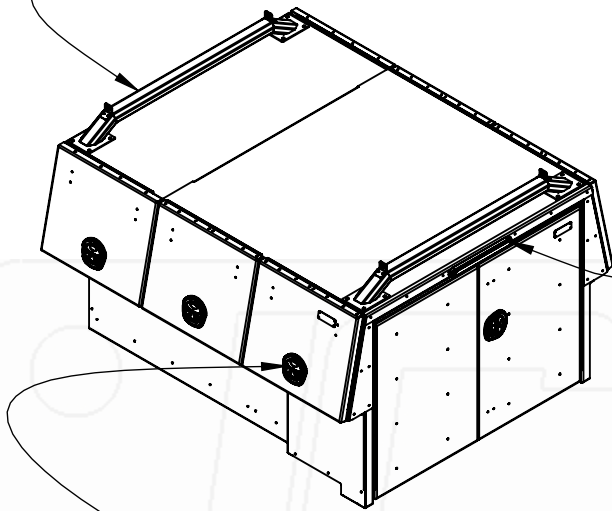
C

B

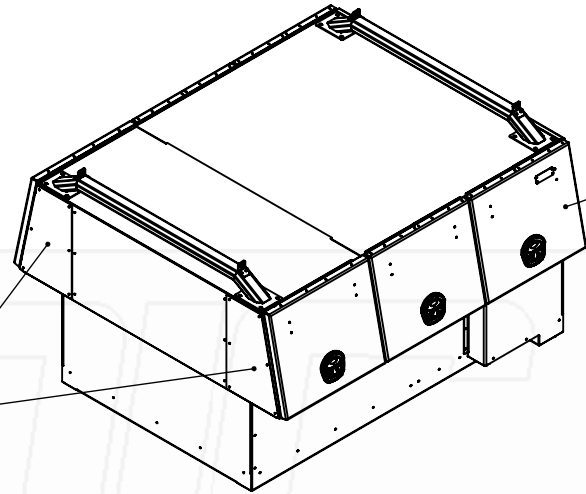
A

**LADDER RACK CAPACITY
750LBS (EVENLY DISTRIBUTED) ALL DOORS**

**ALL DOORS
HAVE GAS SHOCKS**

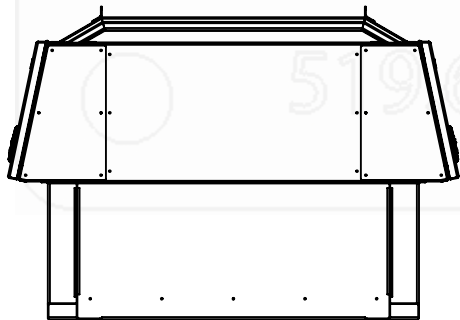


3rd LED TAIL LIGHT

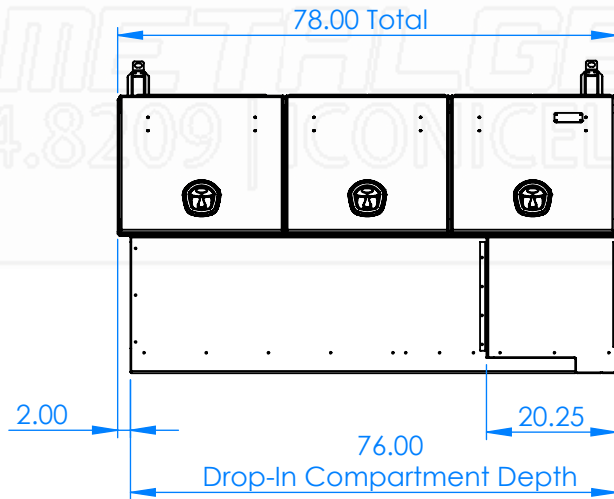


COATED PANEL

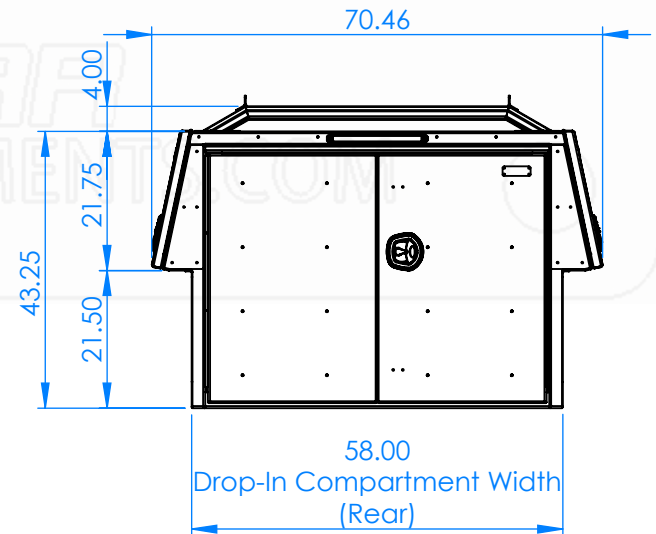
**WHALE TAIL HANDLE
CHROME, LOCKING**



49.00
Drop-In Compartment
Width (Front)



78.00 Total
2.00
76.00 Drop-In Compartment Depth
20.25



70.46
4.00
21.75
43.25
21.50
58.00 Drop-In Compartment Width (Rear)

Part No.:

3060

MATERIAL: 5052 (Alum)

THICKNESS: 0.125

FINISH: Powder

DWG. NO.: 4128-0-00-B

Approx. Weight: 601.69 lbs

Surf. Area: 635.99 sq. ft.

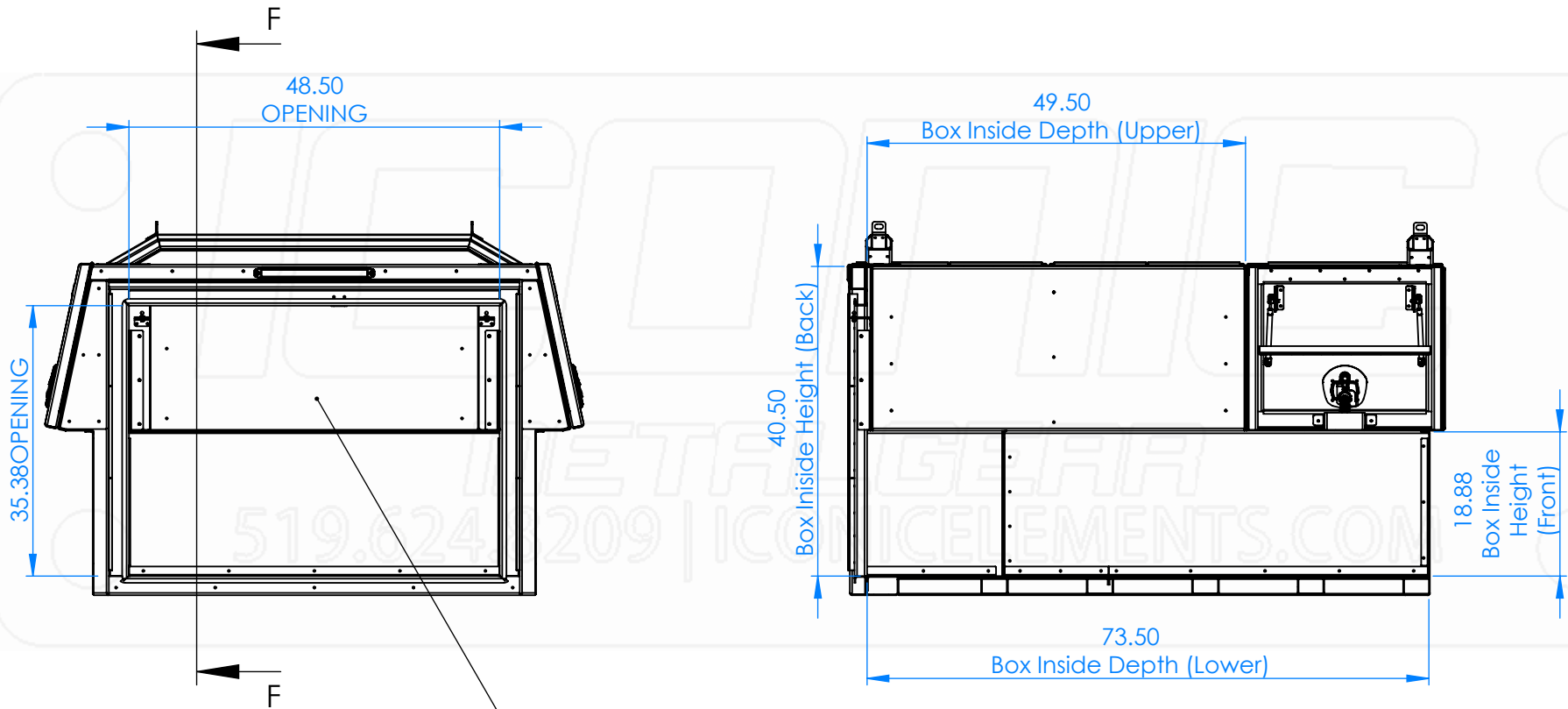
ICONIC ELEMENTS (ICONIC METALGEAR) TITLE:

PROPRIETARY AND CONFIDENTIAL
NO PART OF THIS DOCUMENT MAY BE REPRODUCED, STORED IN A RETRIEVAL SYSTEM, OR TRANSMITTED
IN ANY FORM, WITHOUT THE WRITTEN PERMISSION OF Iconic Elements Inc. (ICONIC METALGEAR)

Iconic X-One Pack

REV: SHEET:

B 2 OF 6



BACK DOOR OPENING = 48.5" WIDE x 35.38" HIGH

| | | | | |
|-------------|----------------------------|---|----------------|-----------------------|
| Part No.: | MATERIAL: 5052 (Alum) | THICKNESS: 0.125 | FINISH: Powder | DWG. NO.: 4128-0-00-B |
| 3060 | Approx. Weight: 601.69 lbs | ICONIC ELEMENTS (ICONIC METALGEAR) TITLE: | | REV: SHEET: |
| | Surf. Area: 635.99 sq. ft. | <small>PROPRIETARY AND CONFIDENTIAL NO PART OF THIS DOCUMENT MAY BE REPRODUCED, STORED IN A RETRIEVAL SYSTEM, OR TRANSMITTED IN ANY FORM, WITHOUT THE WRITTEN PERMISSION OF Iconic Elements Inc. (ICONIC METALGEAR)</small> | | B 3 OF 6 |
| | | Iconic X-One Pack | | |

5

4

3

2

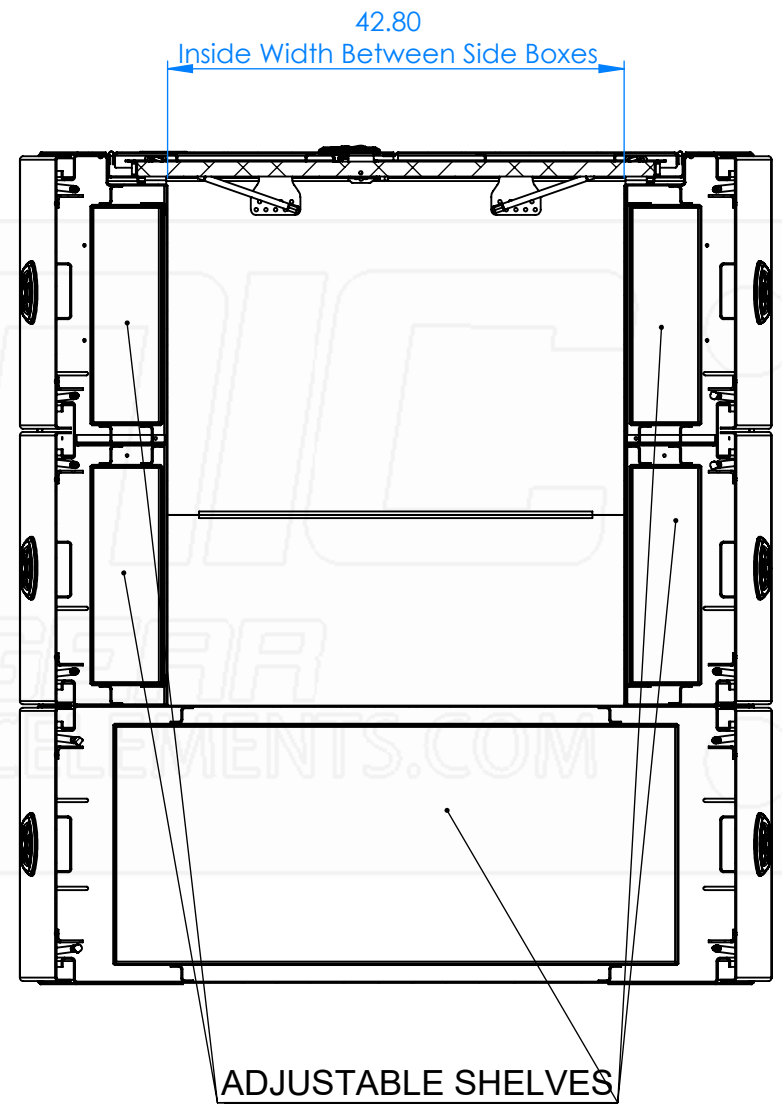
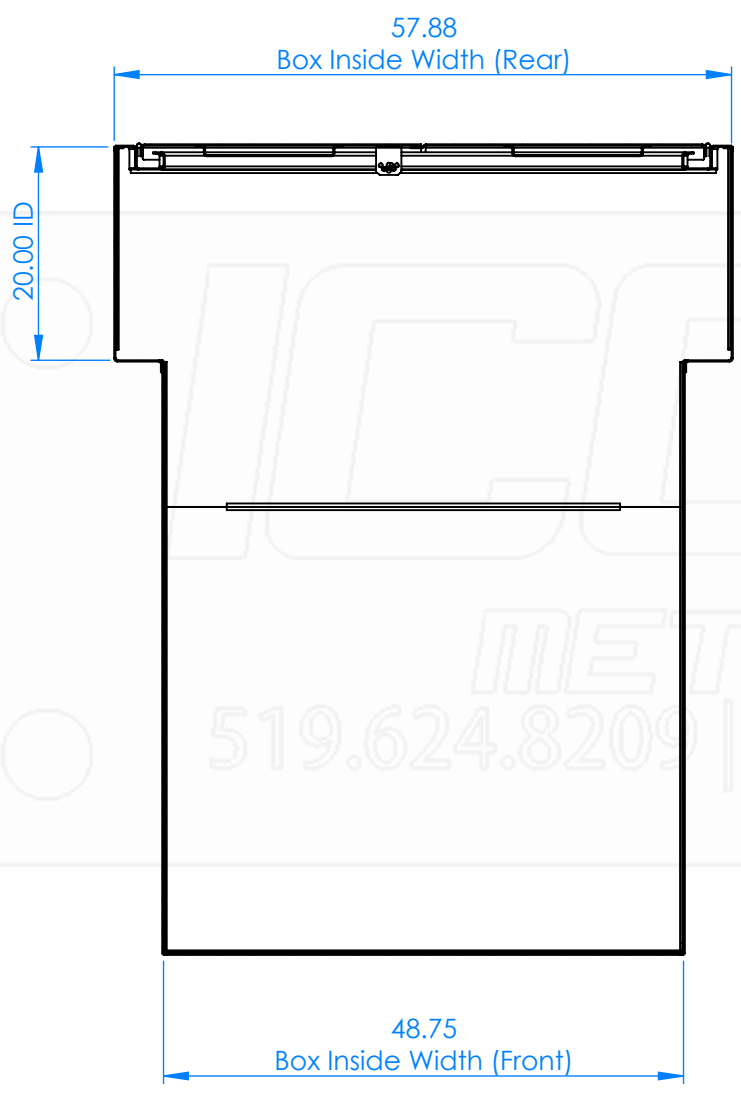
1

D

C

B

A



| | | | | |
|-------------|----------------------------|---|-------------------|-----------------------|
| Part No.: | MATERIAL: 5052 (Alum) | THICKNESS: 0.125 | FINISH: Powder | DWG. NO.: 4128-0-00-B |
| 3060 | Approx. Weight: 601.69 lbs | ICONIC ELEMENTS (ICONIC METALGEAR) TITLE: | | REV: SHEET: |
| | Surf. Area: 635.99 sq. ft. | <small>PROPRIETARY AND CONFIDENTIAL NO PART OF THIS DOCUMENT MAY BE REPRODUCED, STORED IN A RETRIEVAL SYSTEM, OR TRANSMITTED IN ANY FORM, WITHOUT THE WRITTEN PERMISSION OF Iconic Elements Inc. (ICONIC METALGEAR)</small> | | B 4 OF 6 |
| | | | Iconic X-One Pack | |

5

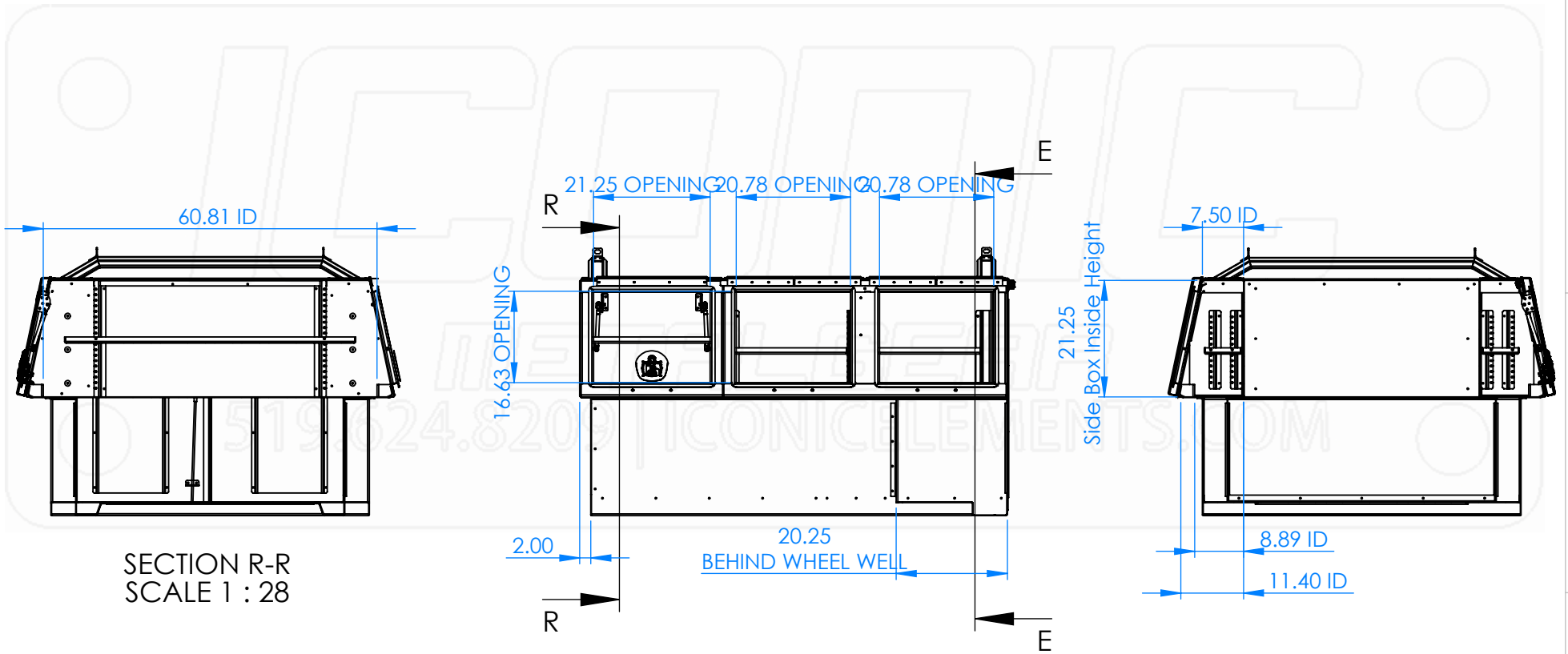
4

3

2

1

D
C
B
A



SECTION R-R
SCALE 1 : 28

Part No.:

3060

MATERIAL: 5052 (Alum)

Approx. Weight: 601.69 lbs

Surf. Area: 635.99 sq. ft.

THICKNESS: 0.125

ICONIC ELEMENTS (ICONIC METALGEAR) TITLE:

PROPRIETARY AND CONFIDENTIAL
NO PART OF THIS DOCUMENT MAY BE REPRODUCED, STORED IN A RETRIEVAL SYSTEM, OR TRANSMITTED IN ANY FORM, WITHOUT THE WRITTEN PERMISSION OF Iconic Elements Inc. (ICONIC METALGEAR)

FINISH: Powder

Iconic X-One Pack

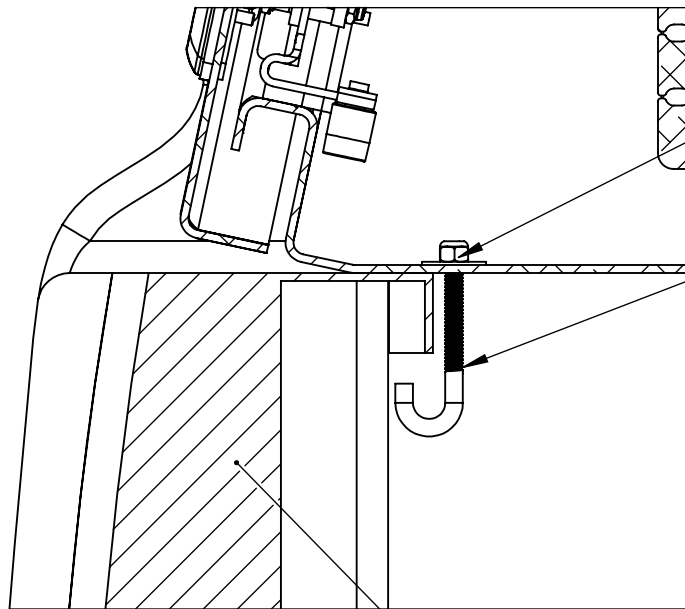
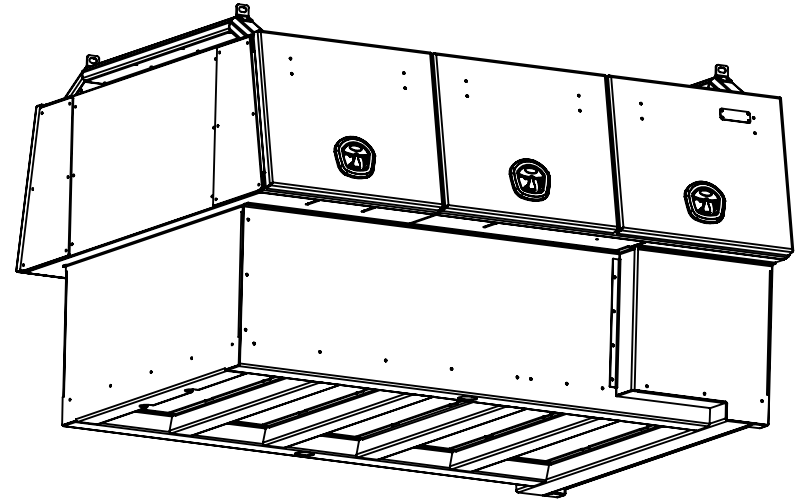
DWG. NO.: 4128-0-00-B

REV: SHEET:

B 5 OF 6

INSTALLATION GUIDE

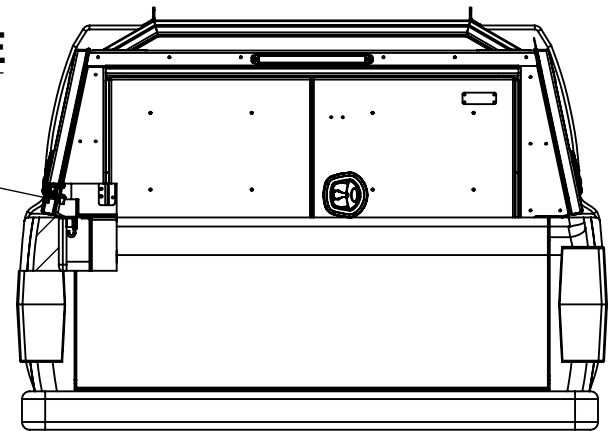
APPROX 3 HOURS INSTALL
(CONTACT AUTO SHOP FOR
HOOKING UP 3rd BRAKE LIGHT WIRING)



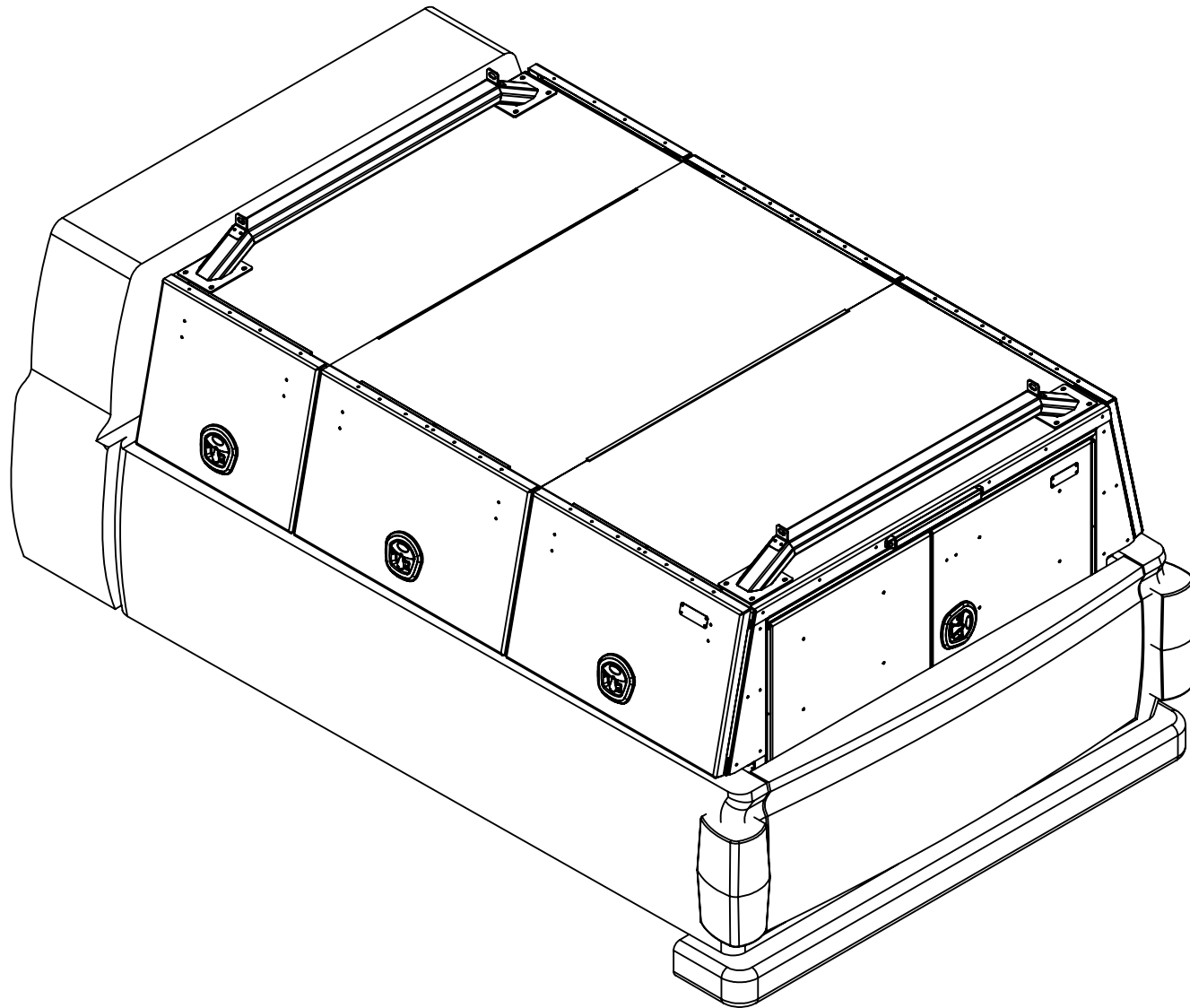
CUT EXCESS OFF

INCLUDED HARDWARE

TRUCK BED RAIL



X-ONE Truck Pack
LONG BOX (APROX 8 FT.)
8 - DOOR
CAB HEIGHT



5

4

3

2

1

D

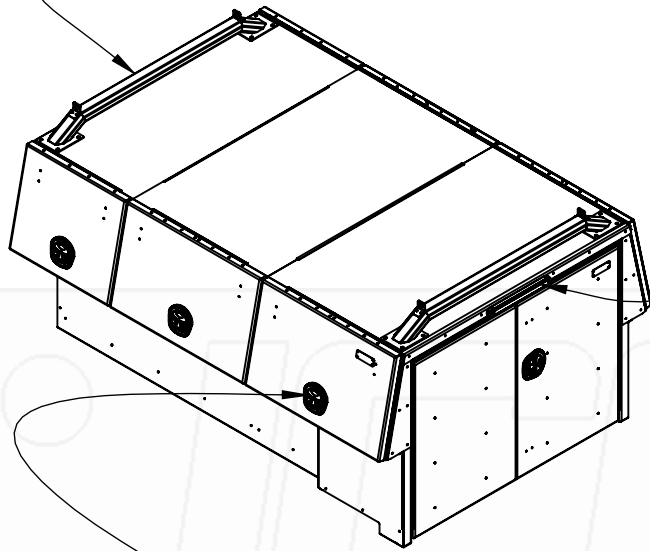
C

B

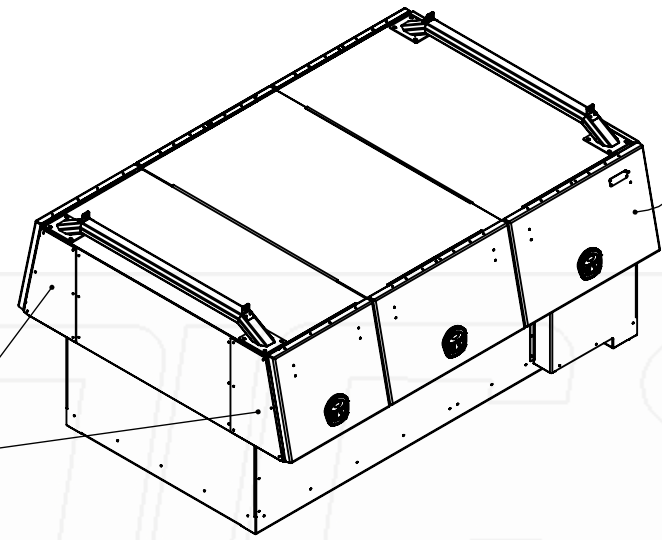
A

**LADDER RACK CAPACITY
750LBS (EVENLY DISTRIBUTED)**

**ALL DOORS
HAVE GAS SHOCKS**

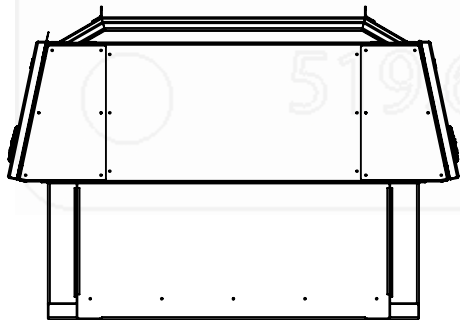


3rd LED TAIL LIGHT

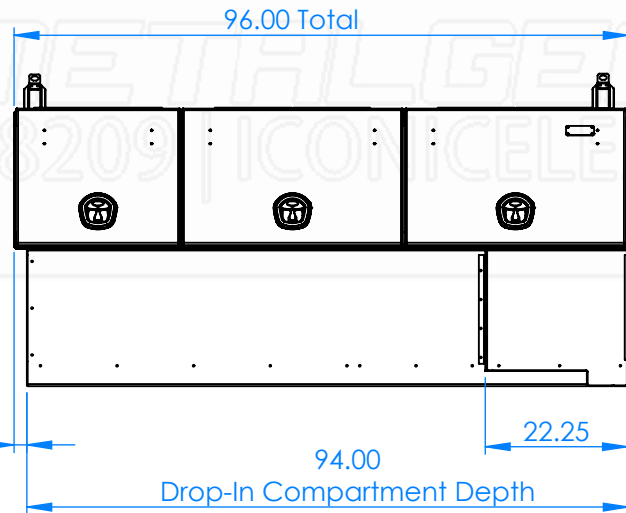


COATED PANEL

**WHALE TAIL HANDLE
CHROME, LOCKING**



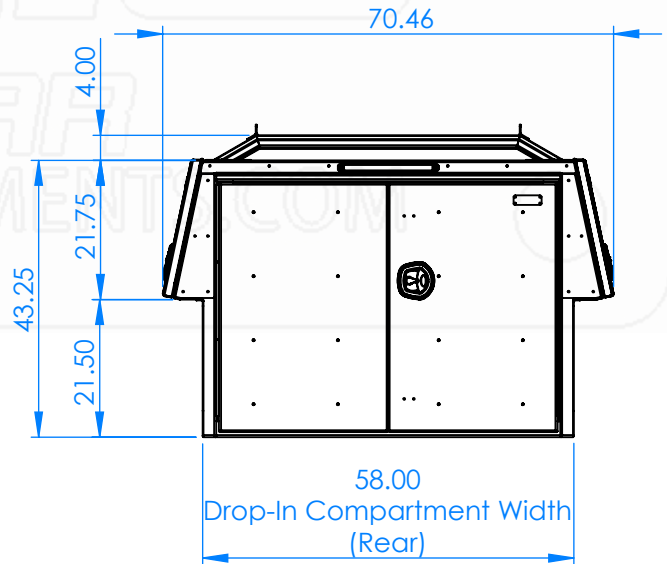
49.00
Drop-In Compartment
Width (Front)



2.00

94.00
Drop-In Compartment Depth

22.25



70.46

43.25

4.00

21.75

21.50

58.00
Drop-In Compartment Width
(Rear)

Part No.:

3061

MATERIAL: 5052 (Alum)

THICKNESS: 0.125

FINISH: Powder

DWG. NO.: 4129-0-00-B

Approx. Weight: 781.34 lbs

Surf. Area: 831.39 sq. ft.

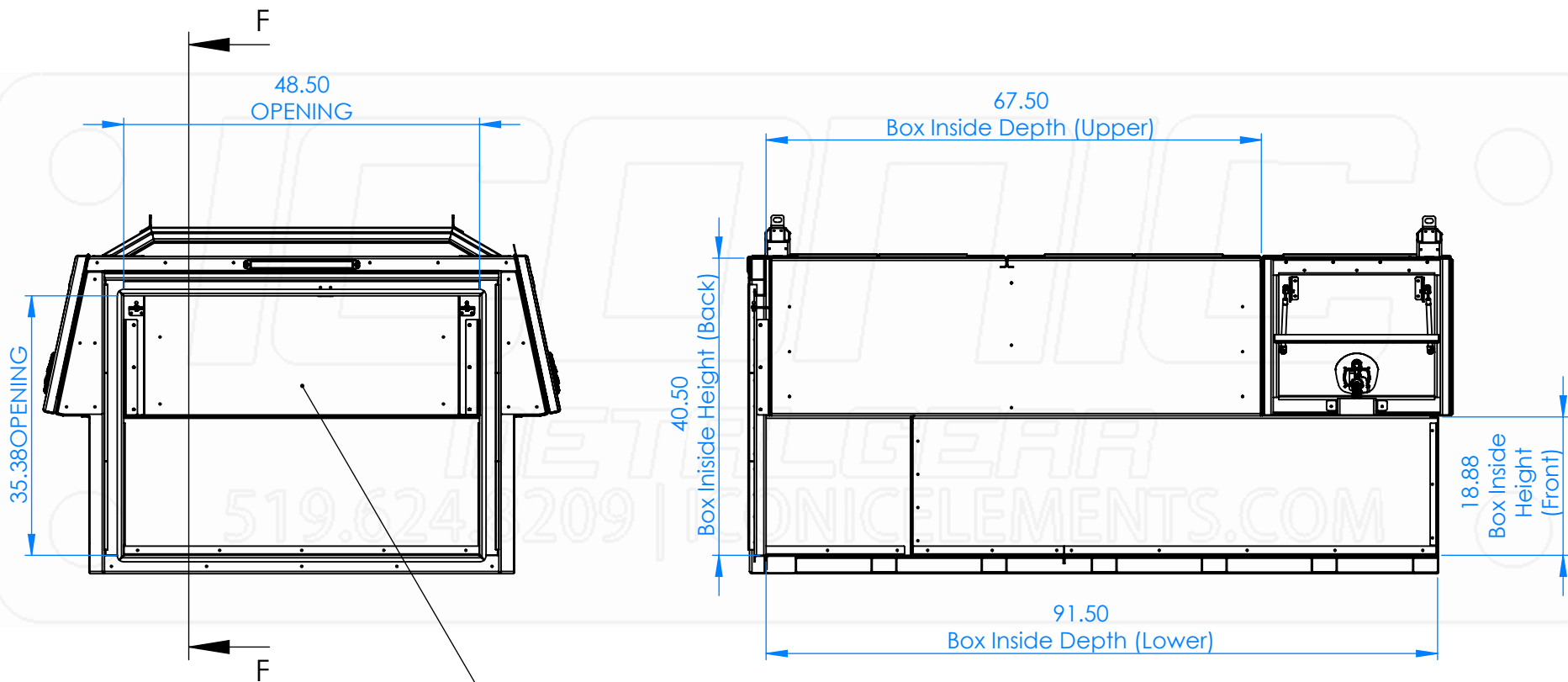
ICONIC ELEMENTS (ICONIC METALGEAR) TITLE:

PROPRIETARY AND CONFIDENTIAL
NO PART OF THIS DOCUMENT MAY BE REPRODUCED, STORED IN A RETRIEVAL SYSTEM, OR TRANSMITTED
IN ANY FORM, WITHOUT THE WRITTEN PERMISSION OF Iconic Elements Inc. (ICONIC METALGEAR)

Iconic X-One Pack

REV: SHEET:

B 2 OF 6



BACK DOOR OPENING = 48.5" WIDE x 35.38" HIGH

| | | | | |
|----------------------------|---|--|-------------------|-----------------------|
| Part No.: 3061 | MATERIAL: 5052 (Alum) | THICKNESS: 0.125 | FINISH: Powder | DWG. NO.: 4129-0-00-B |
| | Approx. Weight: 781.34 lbs | ICONIC ELEMENTS (ICONIC METALGEAR) TITLE: | | REV: SHEET: |
| Surf. Area: 831.39 sq. ft. | <small>PROPRIETARY AND CONFIDENTIAL NO PART OF THIS DOCUMENT MAY BE REPRODUCED, STORED IN A RETRIEVAL SYSTEM, OR TRANSMITTED IN ANY FORM, WITHOUT THE WRITTEN PERMISSION OF Iconic Elements Inc. (ICONIC METALGEAR)</small> | | Iconic X-One Pack | B 3 OF 6 |

5

4

3

2

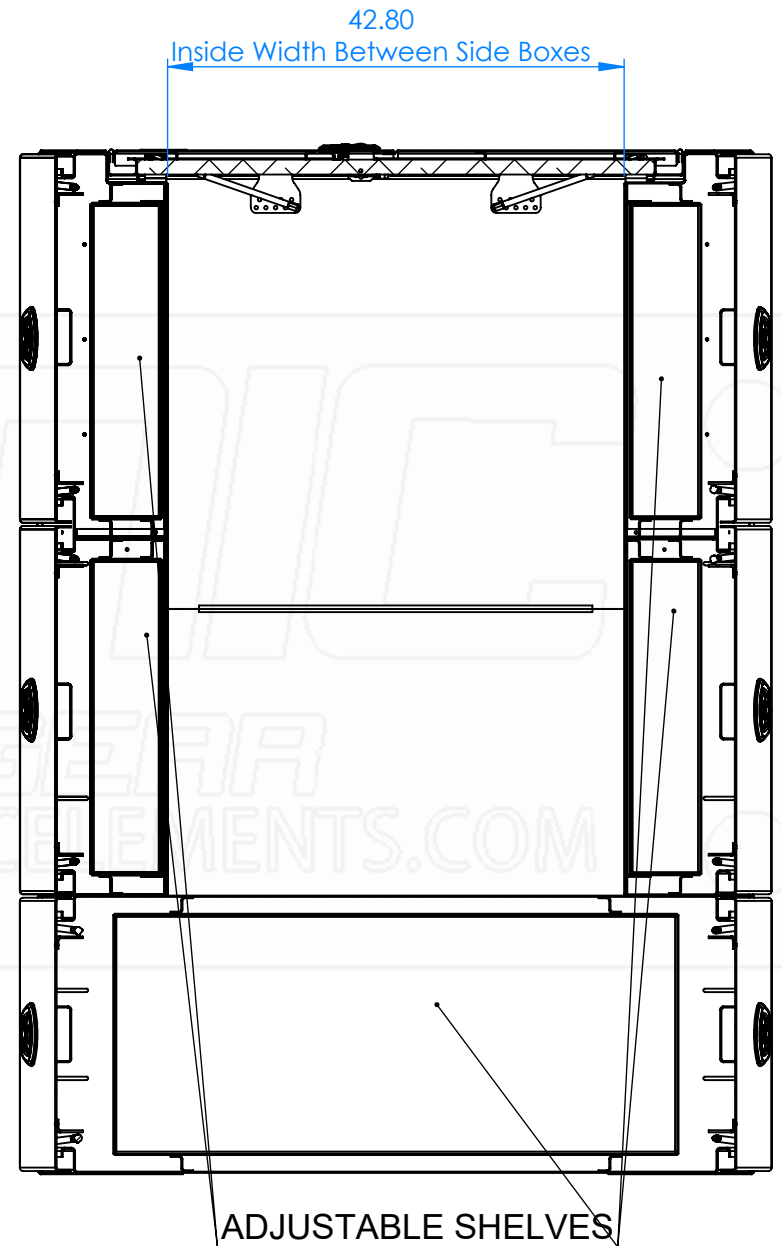
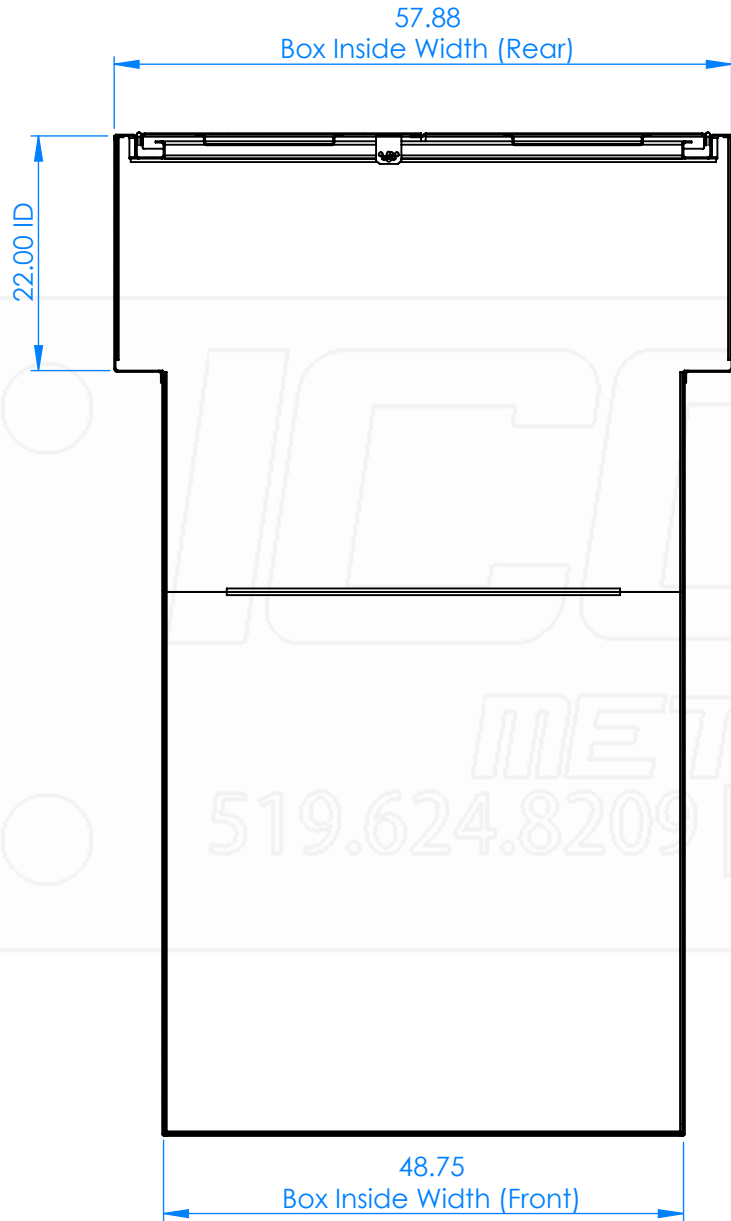
1

D

C

B

A



Part No.:

3061

MATERIAL: 5052 (Alum)

THICKNESS: 0.125

FINISH: Powder

DWG. NO.: 4129-0-00-B

Approx. Weight: 781.34 lbs
Surf. Area: 831.39 sq. ft.

ICONIC ELEMENTS (ICONIC METALGEAR) TITLE:

PROPRIETARY AND CONFIDENTIAL
NO PART OF THIS DOCUMENT MAY BE REPRODUCED, STORED IN A RETRIEVAL SYSTEM, OR TRANSMITTED IN ANY FORM, WITHOUT THE WRITTEN PERMISSION OF Iconic Elements Inc. (ICONIC METALGEAR)

Iconic X-One Pack

REV: SHEET:

B 4 OF 6

5

4

3

2

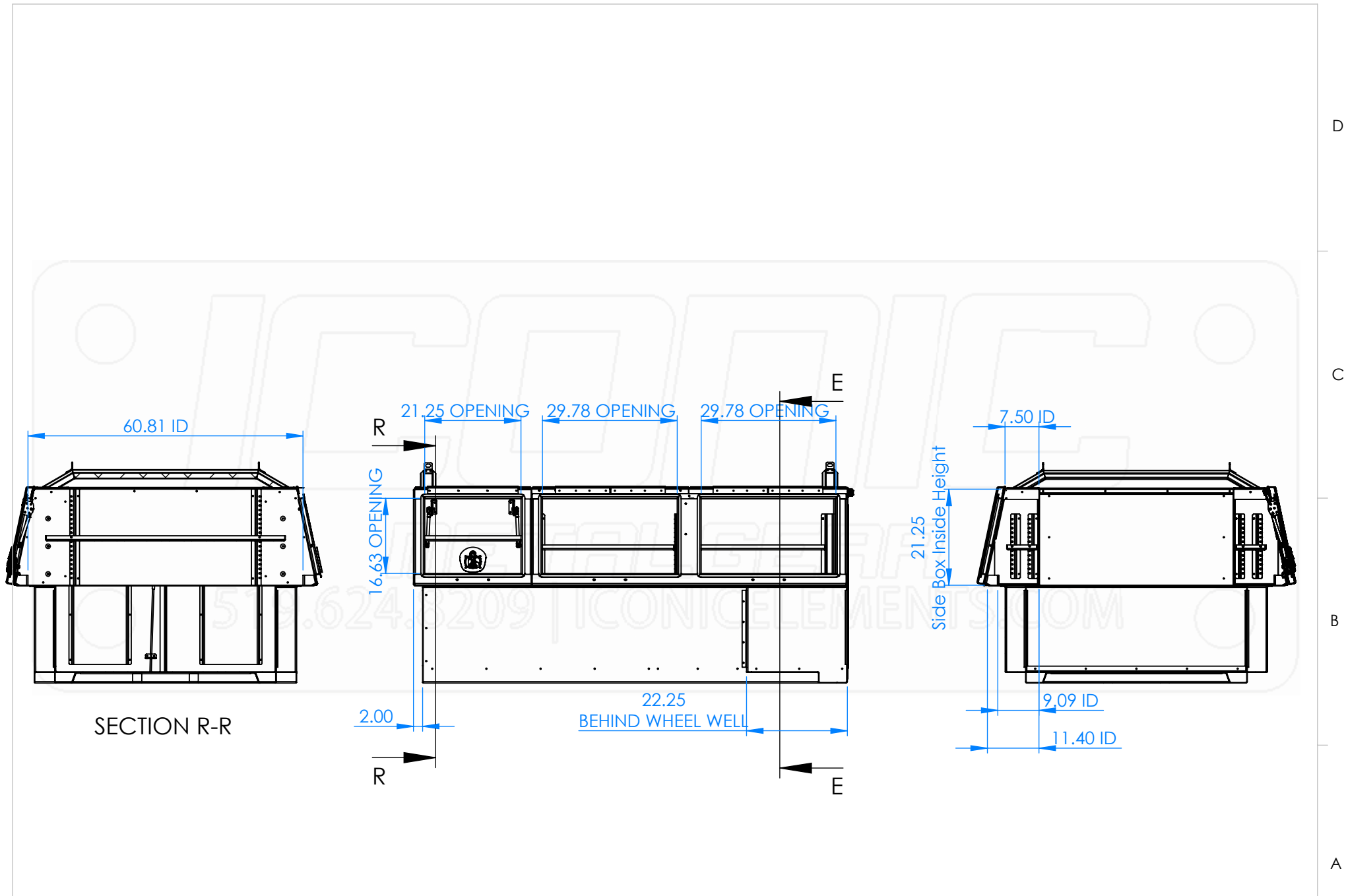
1

D

C

B

A



Part No.:

3061

MATERIAL: 5052 (Alum)

THICKNESS: 0.125

FINISH: Powder

DWG. NO.: 4129-0-00-B

Approx. Weight: 781.34 lbs

ICONIC ELEMENTS (ICONIC METALGEAR) TITLE:

REV: SHEET:

Surf. Area: 831.39 sq. ft.

PROPRIETARY AND CONFIDENTIAL
NO PART OF THIS DOCUMENT MAY BE REPRODUCED, STORED IN A RETRIEVAL SYSTEM, OR TRANSMITTED IN ANY FORM, WITHOUT THE WRITTEN PERMISSION OF Iconic Elements Inc. (ICONIC METALGEAR)

Iconic X-One Pack

B 5 OF 6

5

4

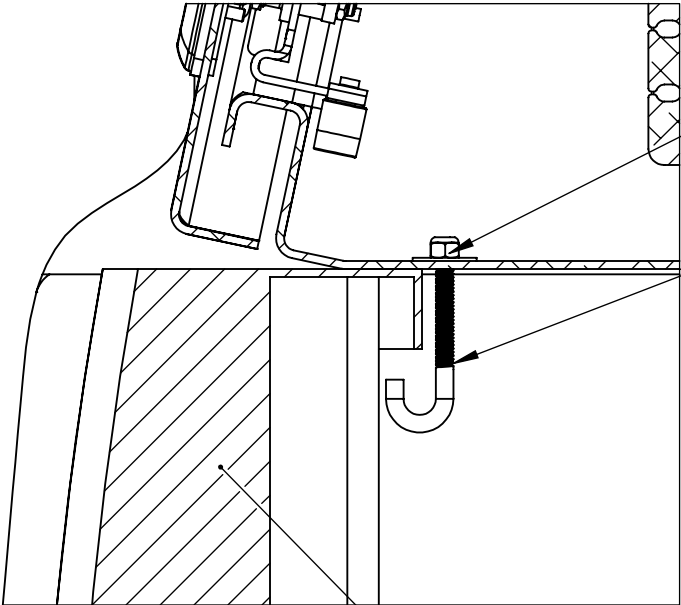
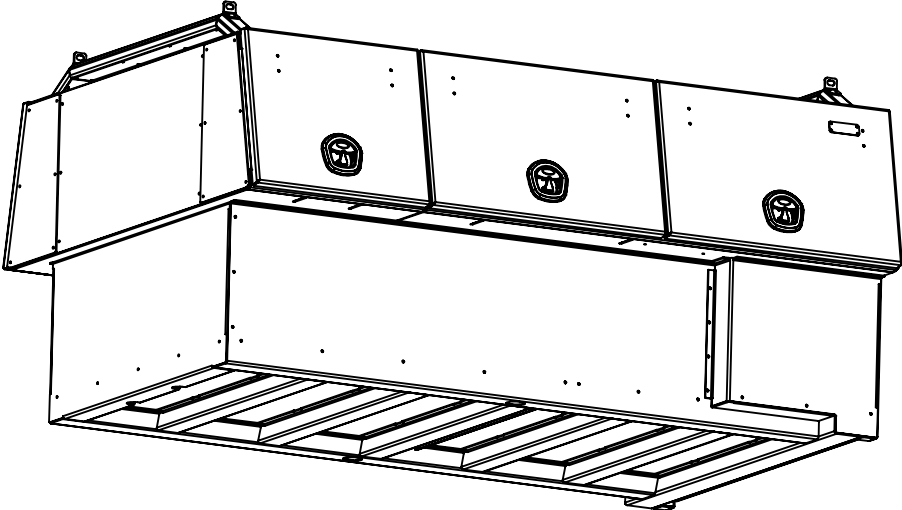
3

2

1

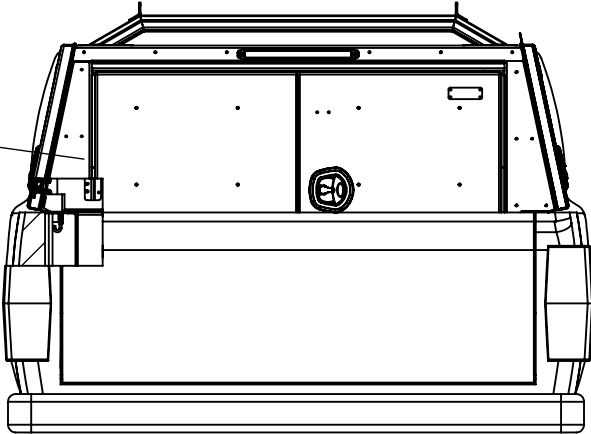
INSTALLATION GUIDE

APPROX 3 HOURS INSTALL
(CONTACT AUTO SHOP FOR
HOOKING UP 3rd BRAKE LIGHT WIRING)



CUT EXCESS OFF

INCLUDED HARDWARE



TRUCK BED RAIL