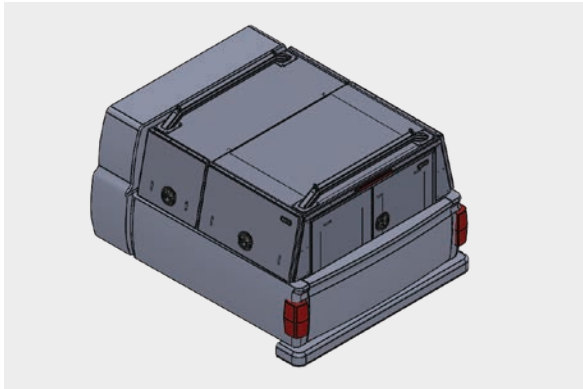




X-ONE TRUCK CAP  
**6-DOOR**

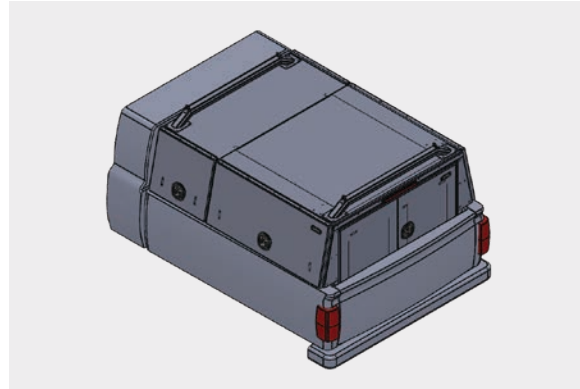


# BED SIZES:



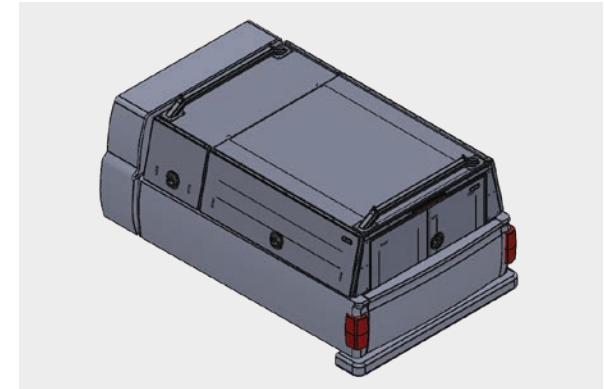
**SHORT BOX** (PAGE 3)

[GO TO SHORT BOX](#)



**REGULAR BOX** (PAGE 9)

[GO TO REGULAR BOX](#)



**LONG BOX** (PAGE 15)

[GO TO LONG BOX](#)



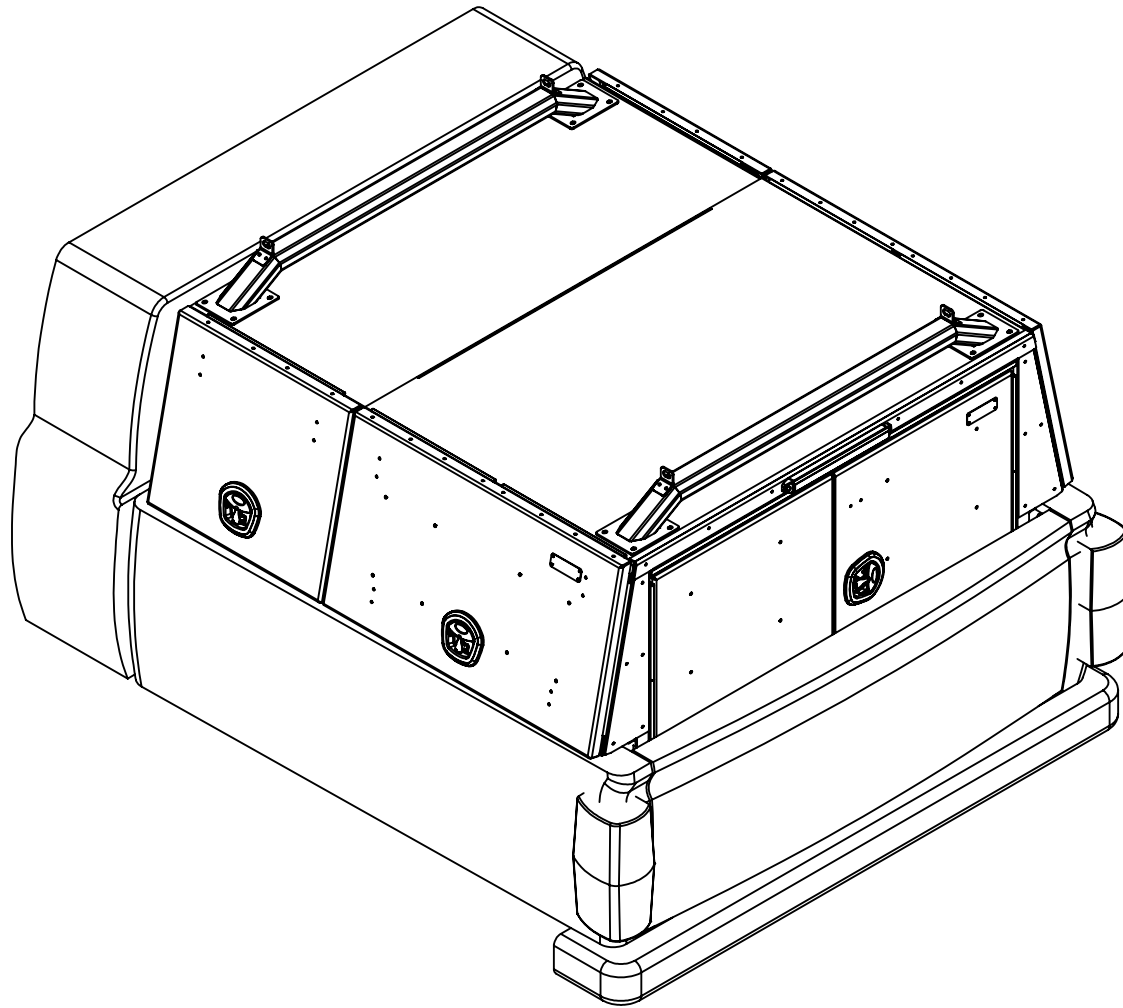
## **NEW!** FLIP UP REAR DOOR

Choose to swap the X-ONE's standard rear barn doors for a single flip-up door. **Now available for every size and configuration.**

X-ONE CONFIGURATIONS:  
**6-DOOR VERSION**



**X-ONE Truck Pack**  
**SHORT BOX (APROX 5.5 FT.)**  
**6 - DOOR**  
**CAB HEIGHT**



5

4

3

2

1

D

C

B

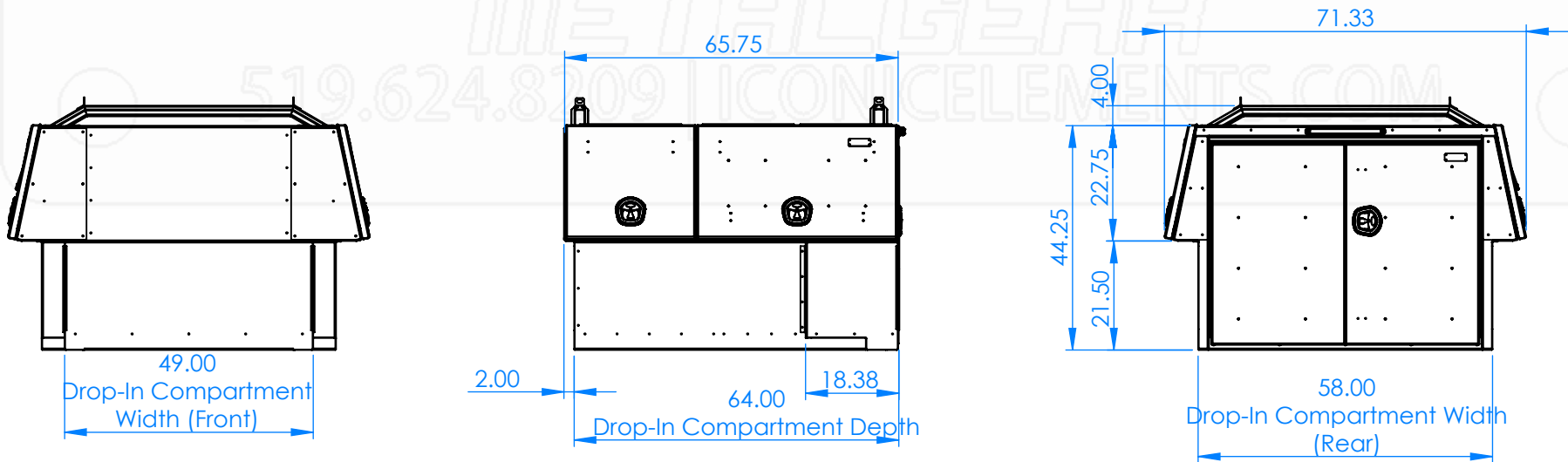
A

**LADDER RACK CAPACITY  
750LBS (EVENLY DISTRIBUTED)**

**ALL DOORS  
HAVE GAS SHOCKS**

**3rd LED TAIL LIGHT**

**WHALE TAIL HANDLE  
CHROME**



Part No.:

**3042**

MATERIAL: 5052 (Alum)

Approx. Weight: 538.63lbs

Surf. Area: 570.63 sq. ft.

THICKNESS: 0.125

**ICONIC ELEMENTS (ICONIC METALGEAR)**

PROPRIETARY AND CONFIDENTIAL  
NO PART OF THIS DOCUMENT MAY BE REPRODUCED, STORED IN A RETRIEVAL SYSTEM, OR TRANSMITTED  
IN ANY FORM, WITHOUT THE WRITTEN PERMISSION OF Iconic Elements Inc. (ICONIC METALGEAR)

FINISH: Powder

TITLE:

**X-One Truck Pack (6 Door, Short)**

DWG. NO.: 4122-0-00-B

REV: SHEET:

**B 2 OF 6**

5

4

3

2

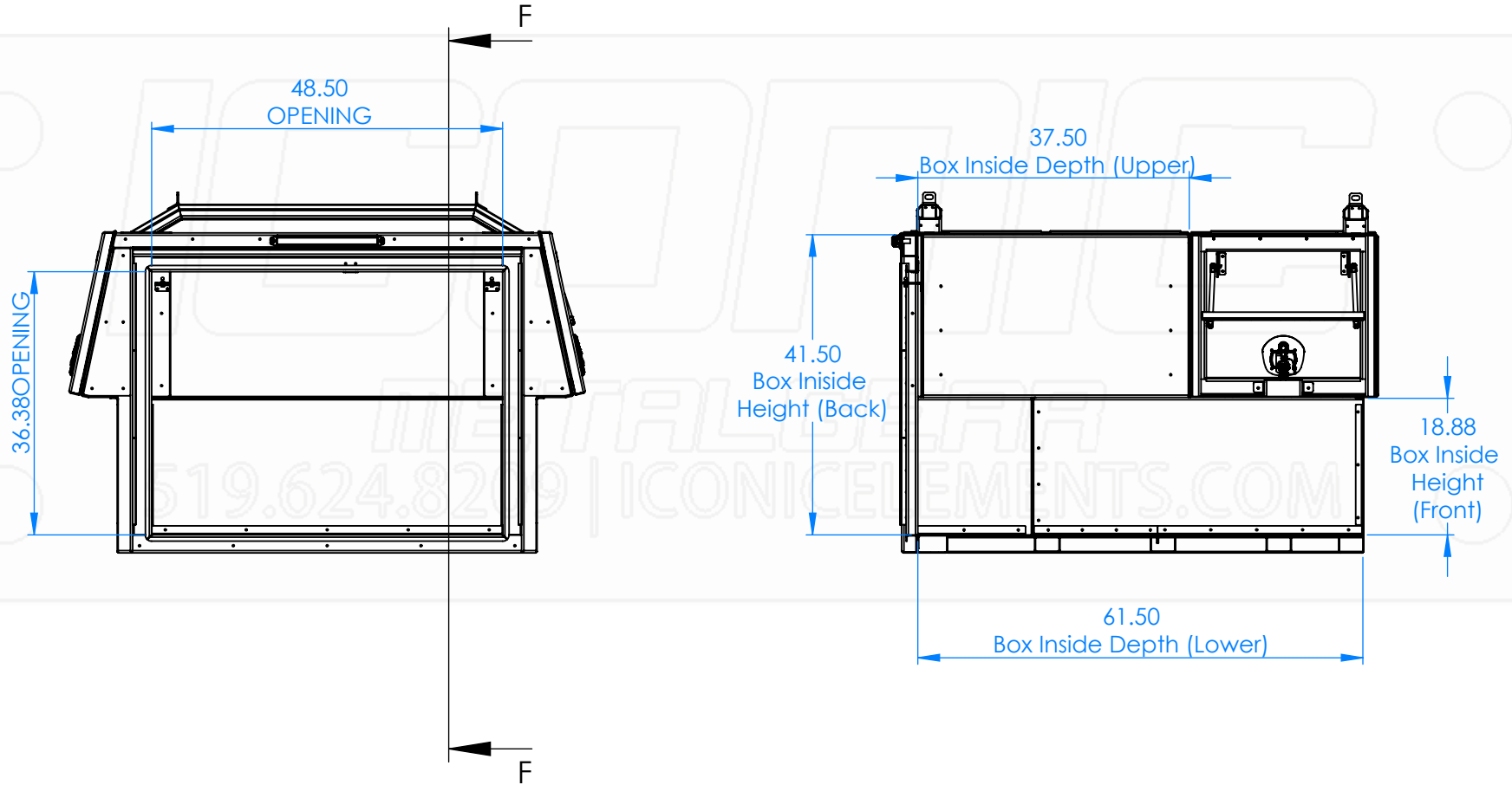
1

D

C

B

A



Part No.:

**3042**

MATERIAL: 5052 (Alum)

Approx. Weight: 538.63 lbs

Surf. Area: 570.63 sq. ft.

THICKNESS: 0.125

**ICONIC ELEMENTS (ICONIC METALGEAR)**

PROPRIETARY AND CONFIDENTIAL  
NO PART OF THIS DOCUMENT MAY BE REPRODUCED, STORED IN A RETRIEVAL SYSTEM, OR TRANSMITTED IN ANY FORM, WITHOUT THE WRITTEN PERMISSION OF Iconic Elements Inc. (ICONIC METALGEAR)

FINISH: Powder

TITLE:

X-One Truck Pack (6 Door, Short)

DWG. NO.: 4122-0-00-B

REV: SHEET:

**B** 3 OF 6

5

4

3

2

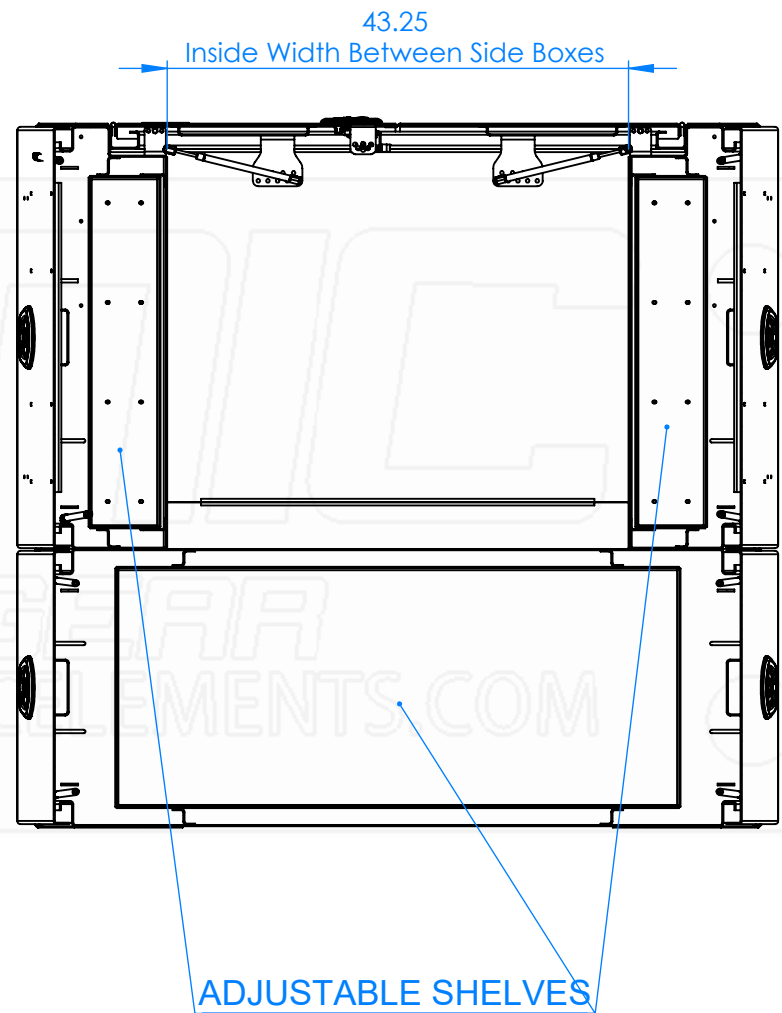
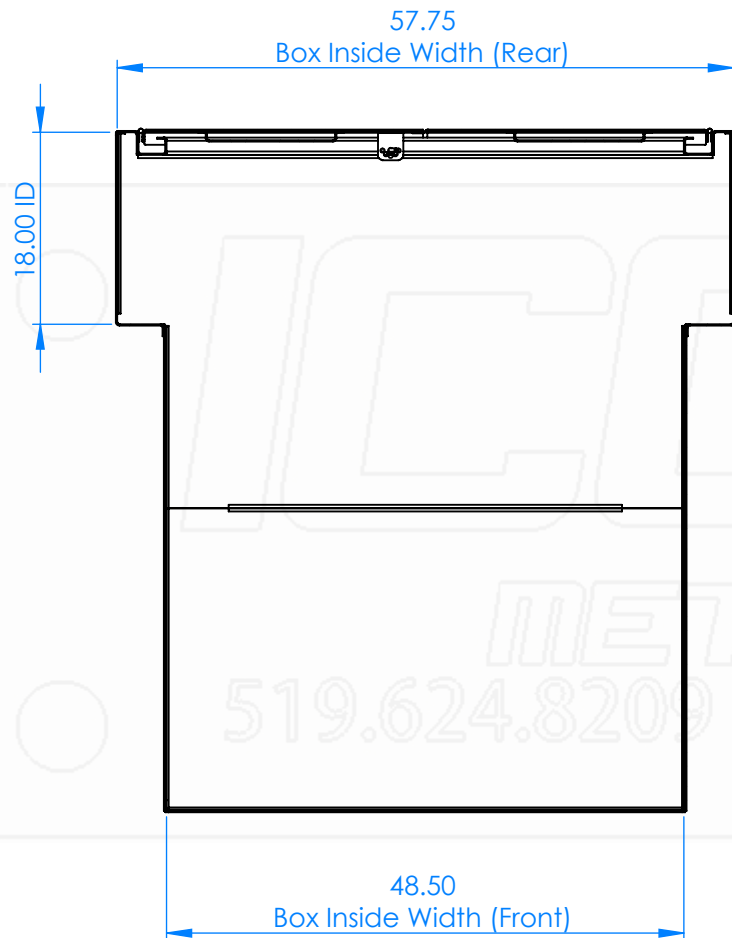
1

D

C

B

A



Part No.:

**3042**

MATERIAL: 5052 (Alum)

Approx. Weight: 538.63 lbs

Surf. Area: 570.63 sq. ft.

THICKNESS: 0.125

**ICONIC ELEMENTS (ICONIC METALGEAR)**

PROPRIETARY AND CONFIDENTIAL  
NO PART OF THIS DOCUMENT MAY BE REPRODUCED, STORED IN A RETRIEVAL SYSTEM, OR TRANSMITTED IN ANY FORM, WITHOUT THE WRITTEN PERMISSION OF Iconic Elements Inc. (ICONIC METALGEAR)

FINISH: Powder

TITLE:

X-One Truck Pack (6 Door, Short)

DWG. NO.: 4122-0-00-B

REV: SHEET:

**B** 4 OF 6

5

4

3

2

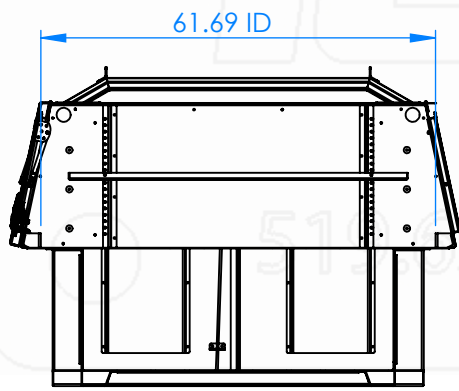
1

D

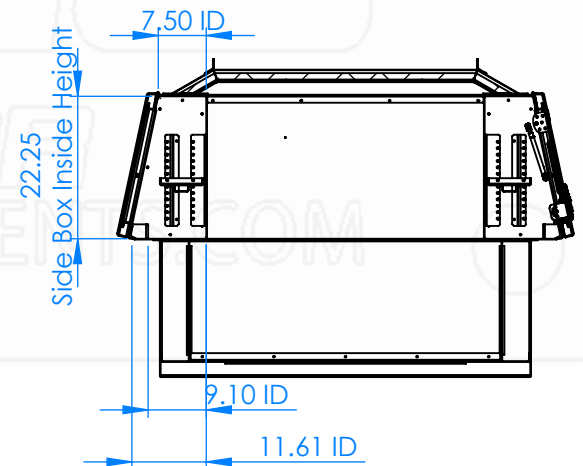
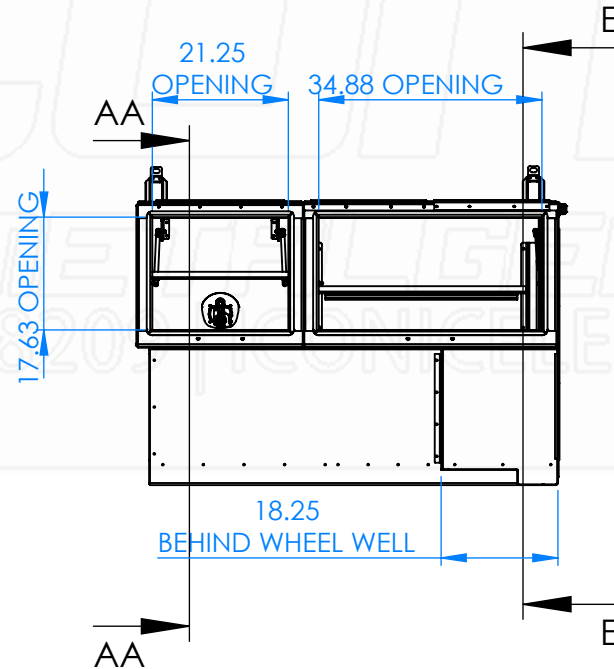
C

B

A



SECTION AA-AA  
SCALE 1 : 30



Part No.:

**3042**

MATERIAL: 5052 (Alum)

Approx. Weight: 538.63 lbs

Surf. Area: 570.63 sq. ft.

THICKNESS: 0.125

**ICONIC ELEMENTS (ICONIC METALGEAR)**

PROPRIETARY AND CONFIDENTIAL  
NO PART OF THIS DOCUMENT MAY BE REPRODUCED, STORED IN A RETRIEVAL SYSTEM, OR TRANSMITTED IN ANY FORM, WITHOUT THE WRITTEN PERMISSION OF Iconic Elements Inc. (ICONIC METALGEAR)

FINISH: Powder

TITLE:

X-One Truck Pack (6 Door, Short)

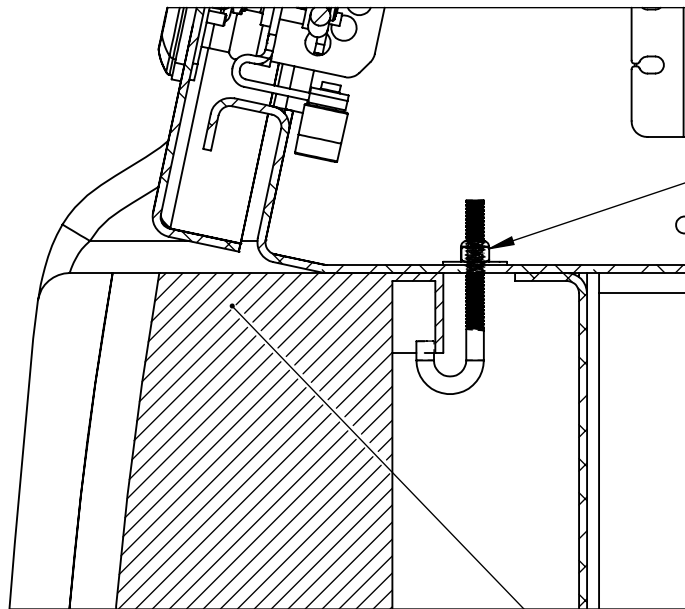
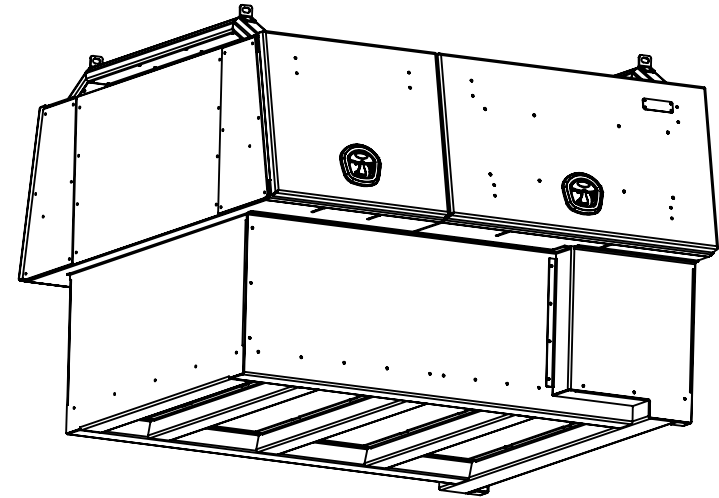
DWG. NO.: 4122-0-00-B

REV: SHEET:

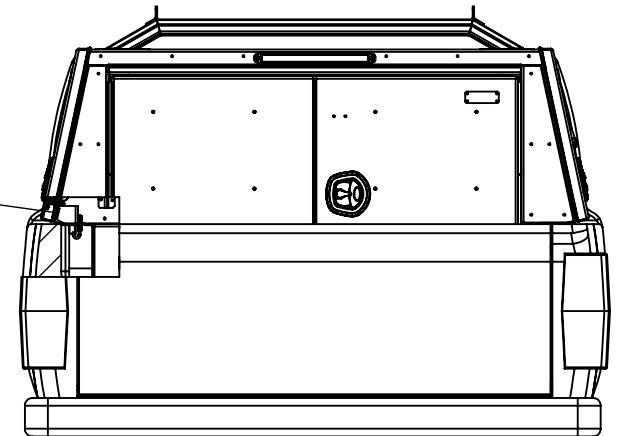
B 5 OF 6

# INSTALLATION GUIDE

APPROX 3 HOURS INSTALL  
(CONTACT AUTO SHOP FOR  
HOOKING UP 3rd BRAKE LIGHT WIRING)



INCLUDED HARDWARE



TRUCK BED RAIL

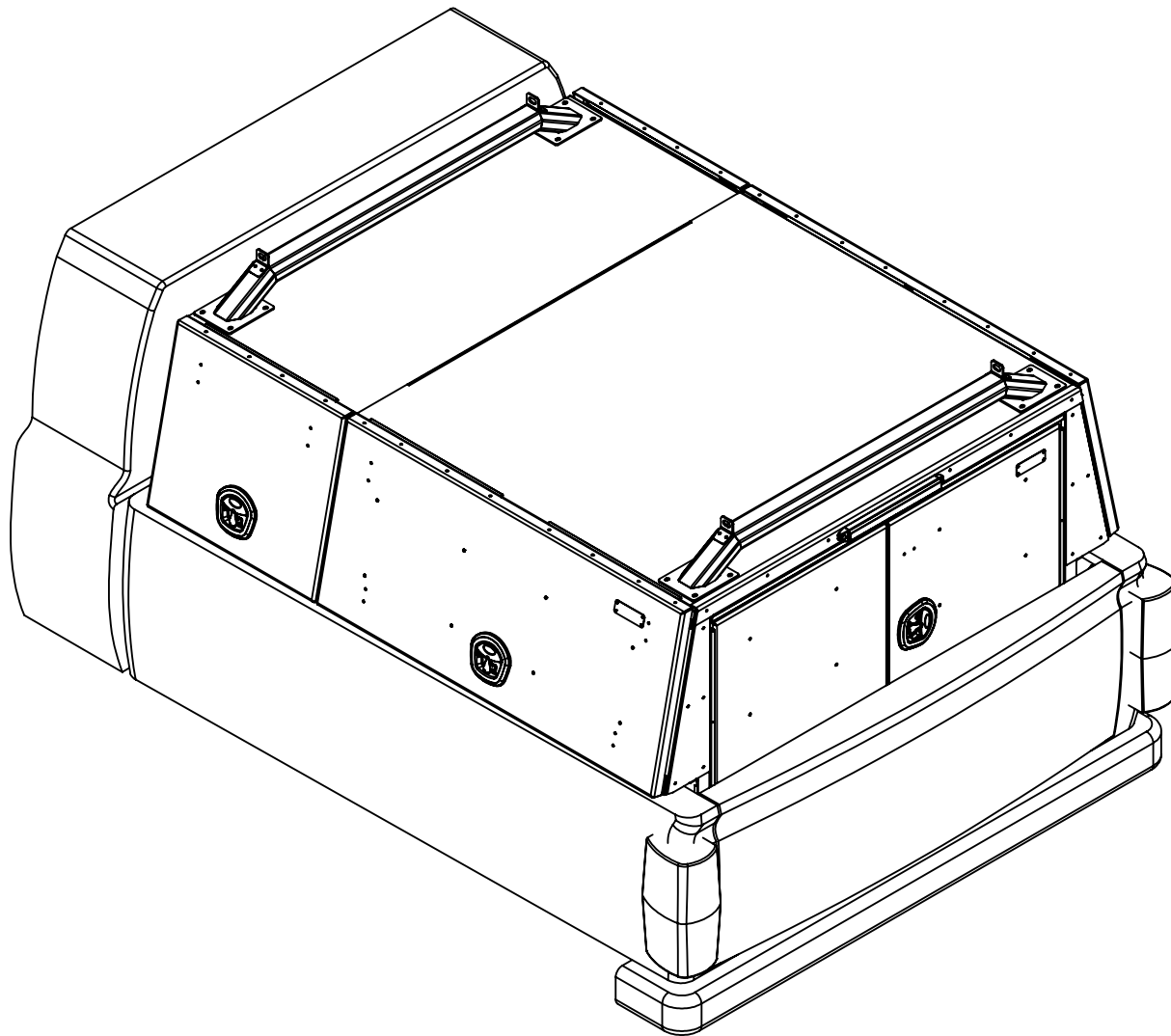


# X-ONE Truck Pack

REGULAR BOX (APROX 6.6 FT.)

6 - DOOR

CAB HEIGHT



5

4

3

2

1

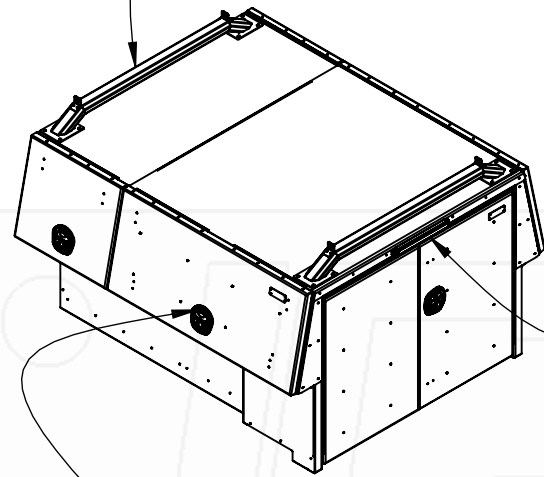
D

C

B

A

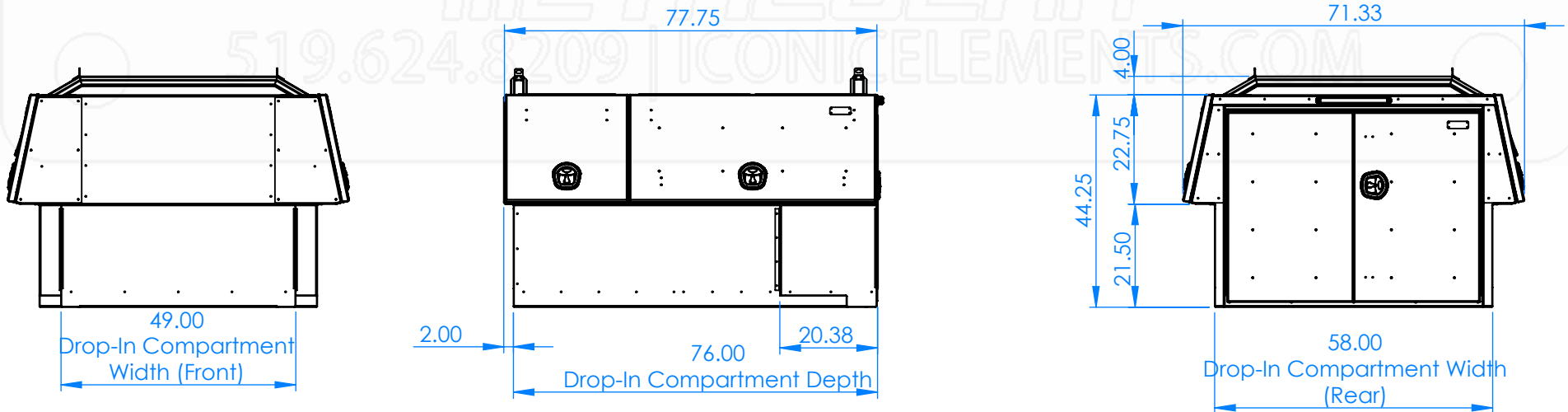
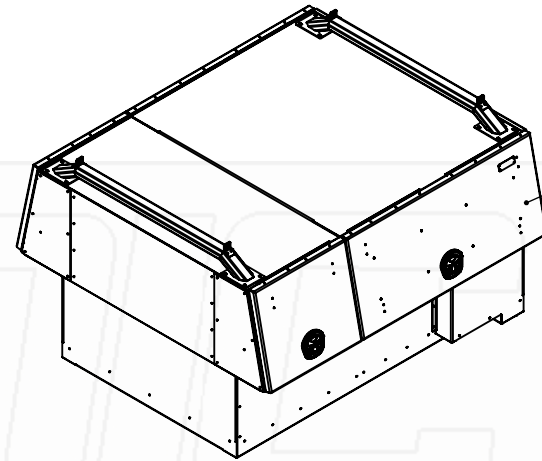
**LADDER RACK CAPACITY  
750LBS (EVENLY DISTRIBUTED)**



**WHALE TAIL HANDLE  
CHROME**

**3rd LED TAIL LIGHT**

**ALL DOORS  
HAVE GAS SHOCKS**



Part No.:	MATERIAL: 5052 (Alum)	THICKNESS: 0.125	FINISH: Powder	DWG. NO.: 4123-0-00-B
<b>3039</b>	Approx. Weight: 602.96lbs	<b>ICONIC ELEMENTS (ICONIC METALGEAR)</b>		REV: SHEET:
	Surf. Area: 638.60 sq. ft.	<small>PROPRIETARY AND CONFIDENTIAL NO PART OF THIS DOCUMENT MAY BE REPRODUCED, STORED IN A RETRIEVAL SYSTEM, OR TRANSMITTED IN ANY FORM, WITHOUT THE WRITTEN PERMISSION OF Iconic Elements Inc. (ICONIC METALGEAR)</small>		<b>B 2 OF 6</b>
		<b>X-One Truck Pack (6 Door, Reg.)</b>		

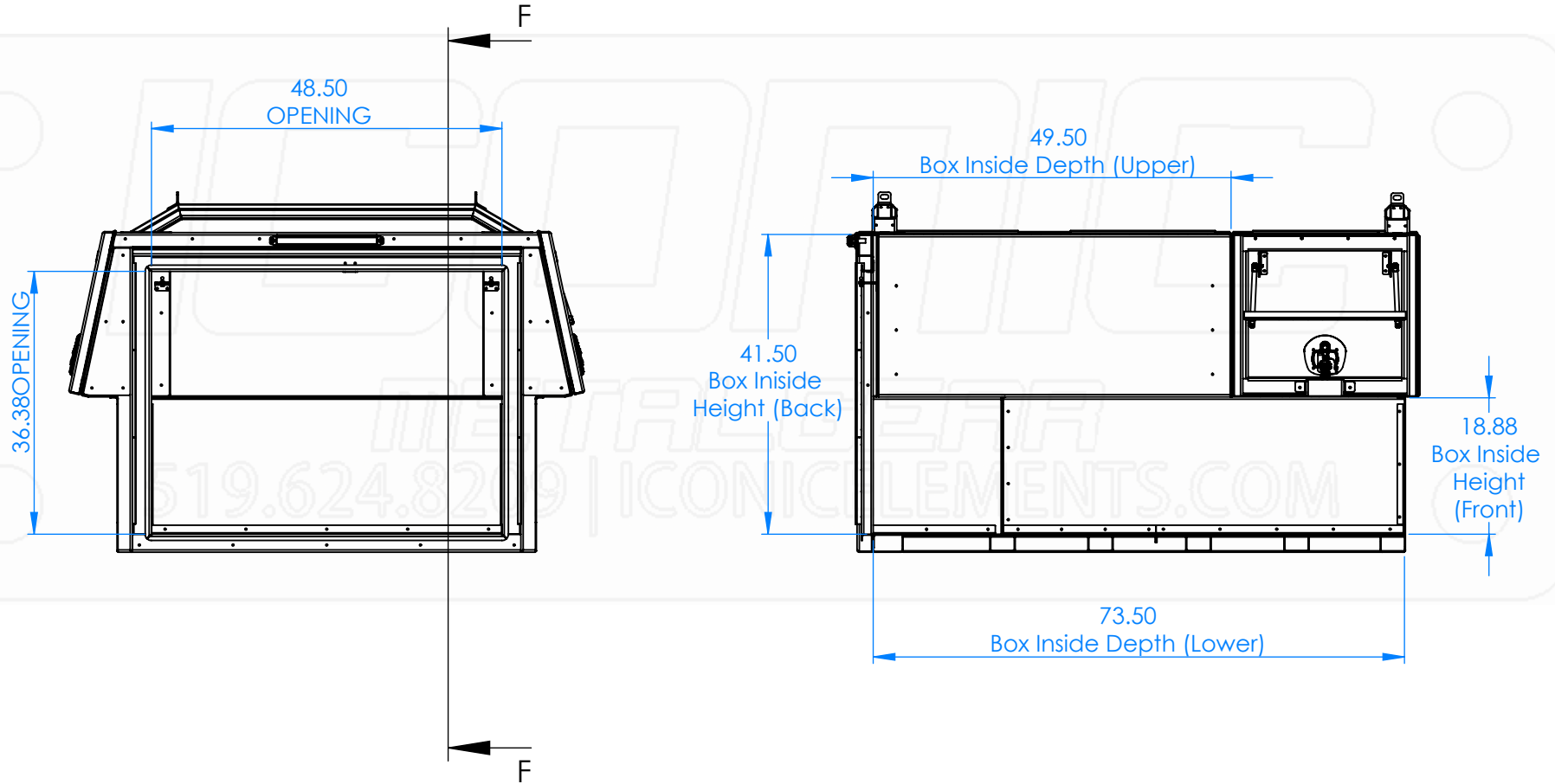
5

4

3

2

1



Part No.:

**3039**

MATERIAL: 5052 (Alum)

THICKNESS: 0.125

FINISH: Powder

DWG. NO.: 4123-0-00-B

Approx. Weight: 602.96 lbs

**ICONIC ELEMENTS (ICONIC METALGEAR)** TITLE:

REV: SHEET:

Surf. Area: 638.60 sq. ft.

PROPRIETARY AND CONFIDENTIAL  
NO PART OF THIS DOCUMENT MAY BE REPRODUCED, STORED IN A RETRIEVAL SYSTEM, OR TRANSMITTED IN ANY FORM, WITHOUT THE WRITTEN PERMISSION OF Iconic Elements Inc. (ICONIC METALGEAR)

X-One Truck Pack (6 Door, Reg.)

**B** 3 OF 6

5

4

3

2

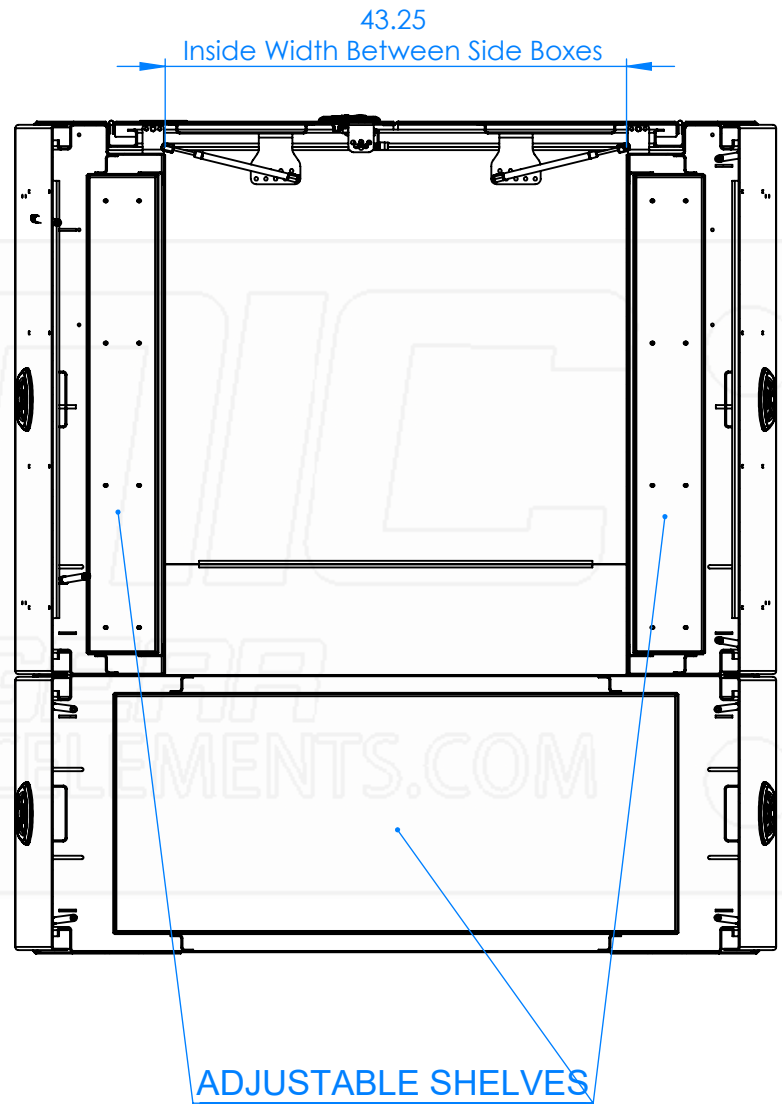
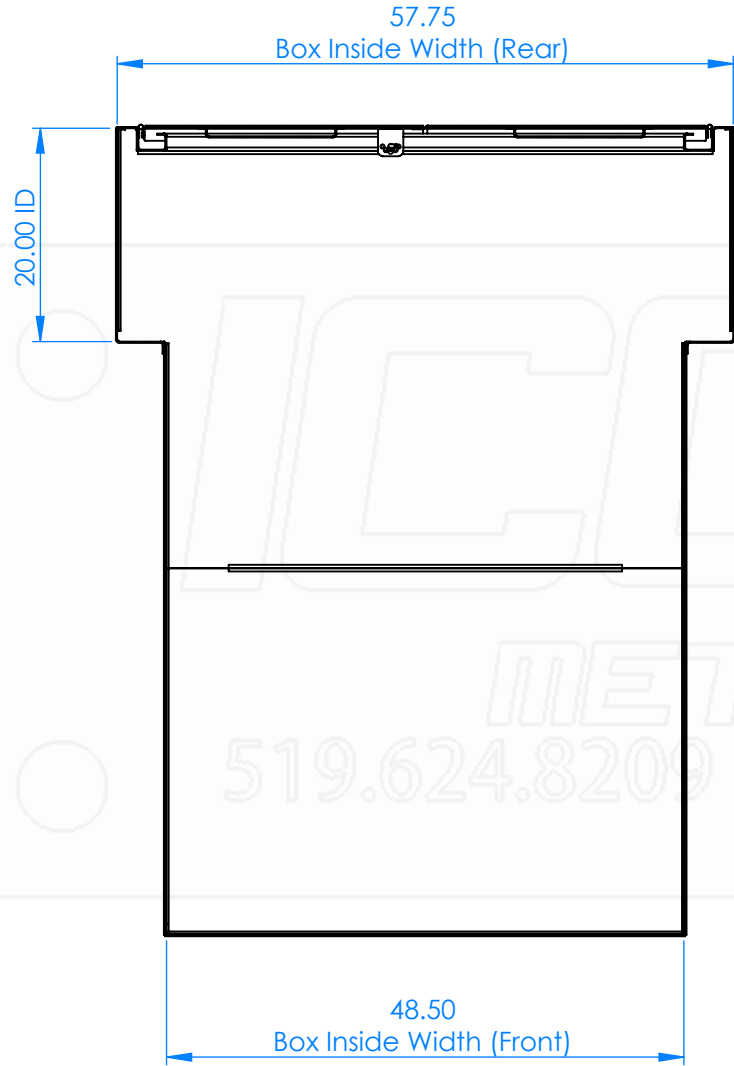
1

D

C

B

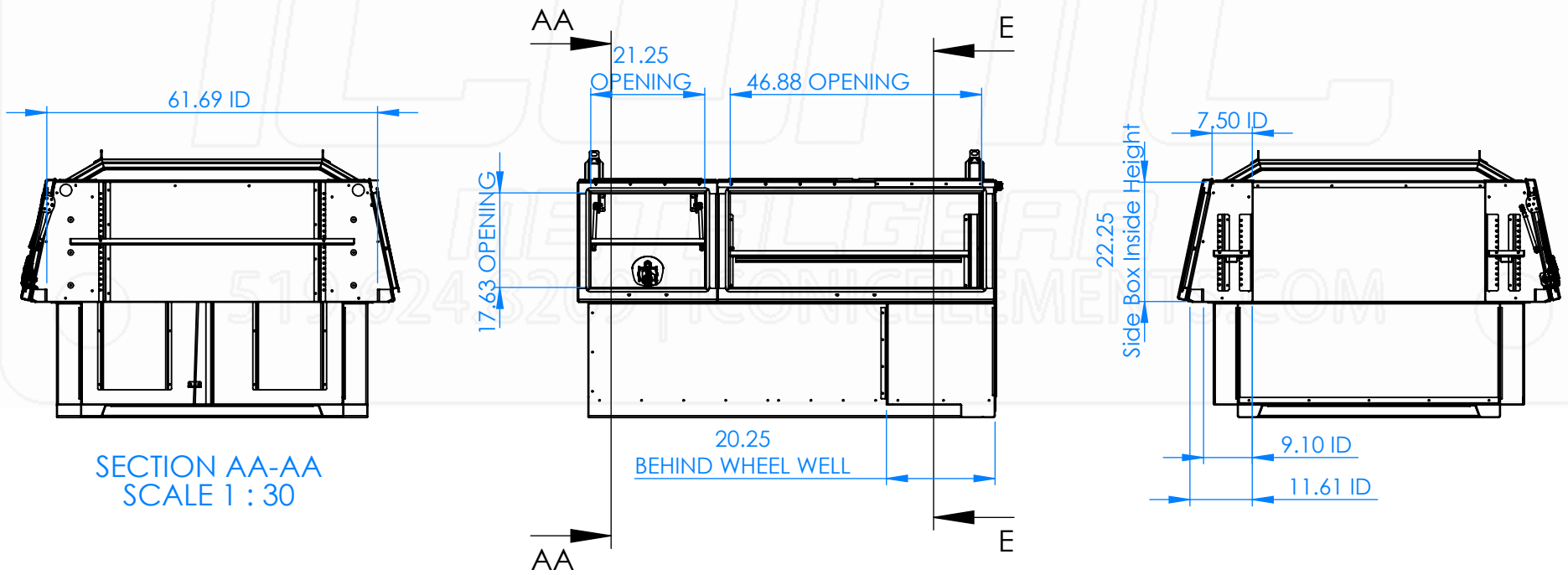
A



D  
C  
B  
A

Part No.: <b>3039</b>	MATERIAL: 5052 (Alum)	THICKNESS: 0.125	FINISH: Powder	DWG. NO.: 4123-0-00-B
	Approx. Weight: 602.96 lbs	<b>ICONIC ELEMENTS (ICONIC METALGEAR)</b> TITLE:		REV: SHEET:
Surf. Area: 638.60 sq. ft.	<small>PROPRIETARY AND CONFIDENTIAL NO PART OF THIS DOCUMENT MAY BE REPRODUCED, STORED IN A RETRIEVAL SYSTEM, OR TRANSMITTED IN ANY FORM, WITHOUT THE WRITTEN PERMISSION OF Iconic Elements Inc. (ICONIC METALGEAR)</small>		X-One Truck Pack (6 Door, Reg.)	<b>B</b> 4 OF 6

5 4 3 2 1



SECTION AA-AA  
SCALE 1 : 30

Part No.:	MATERIAL: 5052 (Alum)	THICKNESS: 0.125	FINISH: Powder	DWG. NO.: 4123-0-00-B
<b>3039</b>	Approx. Weight: 602.96 lbs	<b>ICONIC ELEMENTS (ICONIC METALGEAR)</b> TITLE:		REV: SHEET:
	Surf. Area: 638.60 sq. ft.	<small>PROPRIETARY AND CONFIDENTIAL NO PART OF THIS DOCUMENT MAY BE REPRODUCED, STORED IN A RETRIEVAL SYSTEM, OR TRANSMITTED IN ANY FORM, WITHOUT THE WRITTEN PERMISSION OF Iconic Elements Inc. (ICONIC METALGEAR)</small>		<b>B 5 OF 6</b>

5

4

3

2

1

D

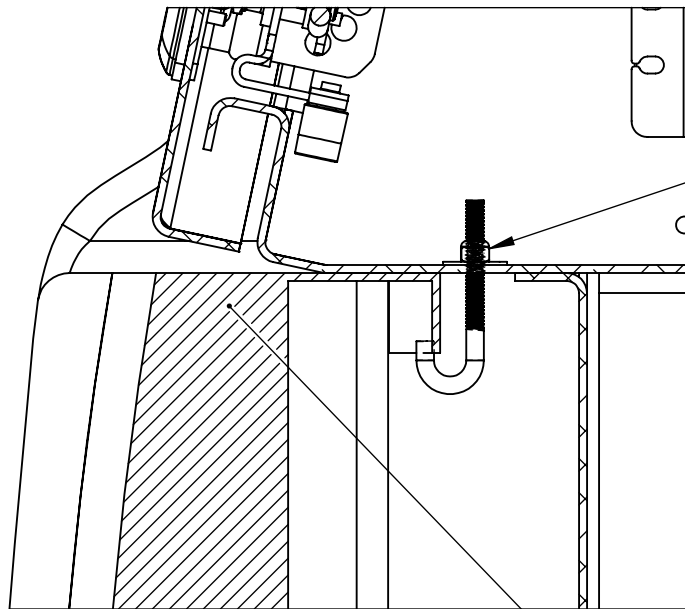
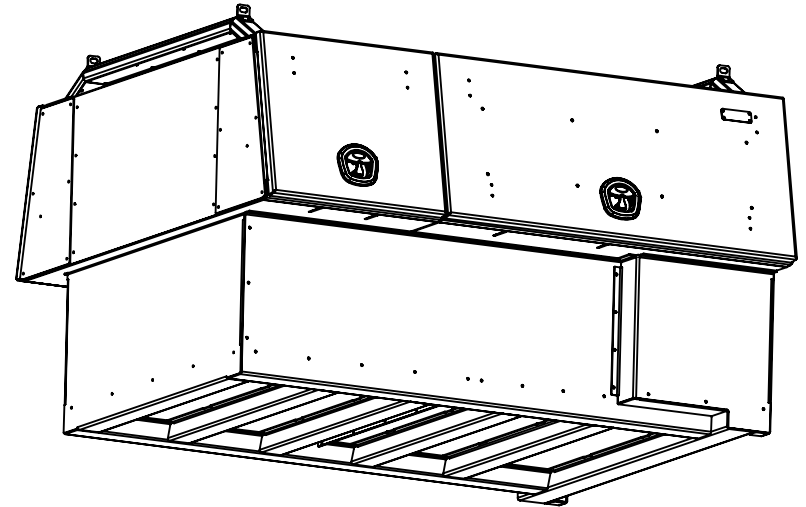
C

B

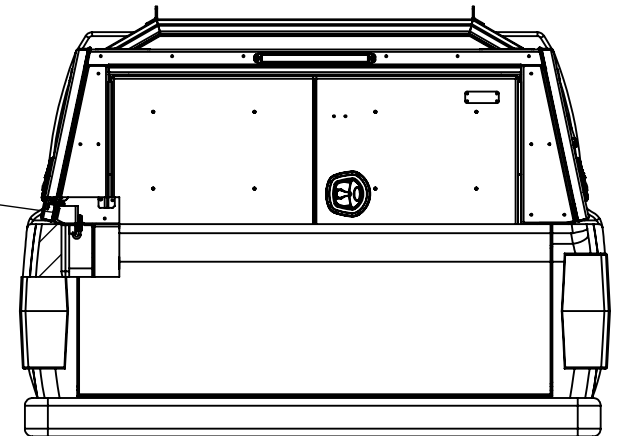
A

# INSTALLATION GUIDE

APPROX 3 HOURS INSTALL  
(CONTACT AUTO SHOP FOR  
HOOKING UP 3rd BRAKE LIGHT WIRING)



INCLUDED HARDWARE



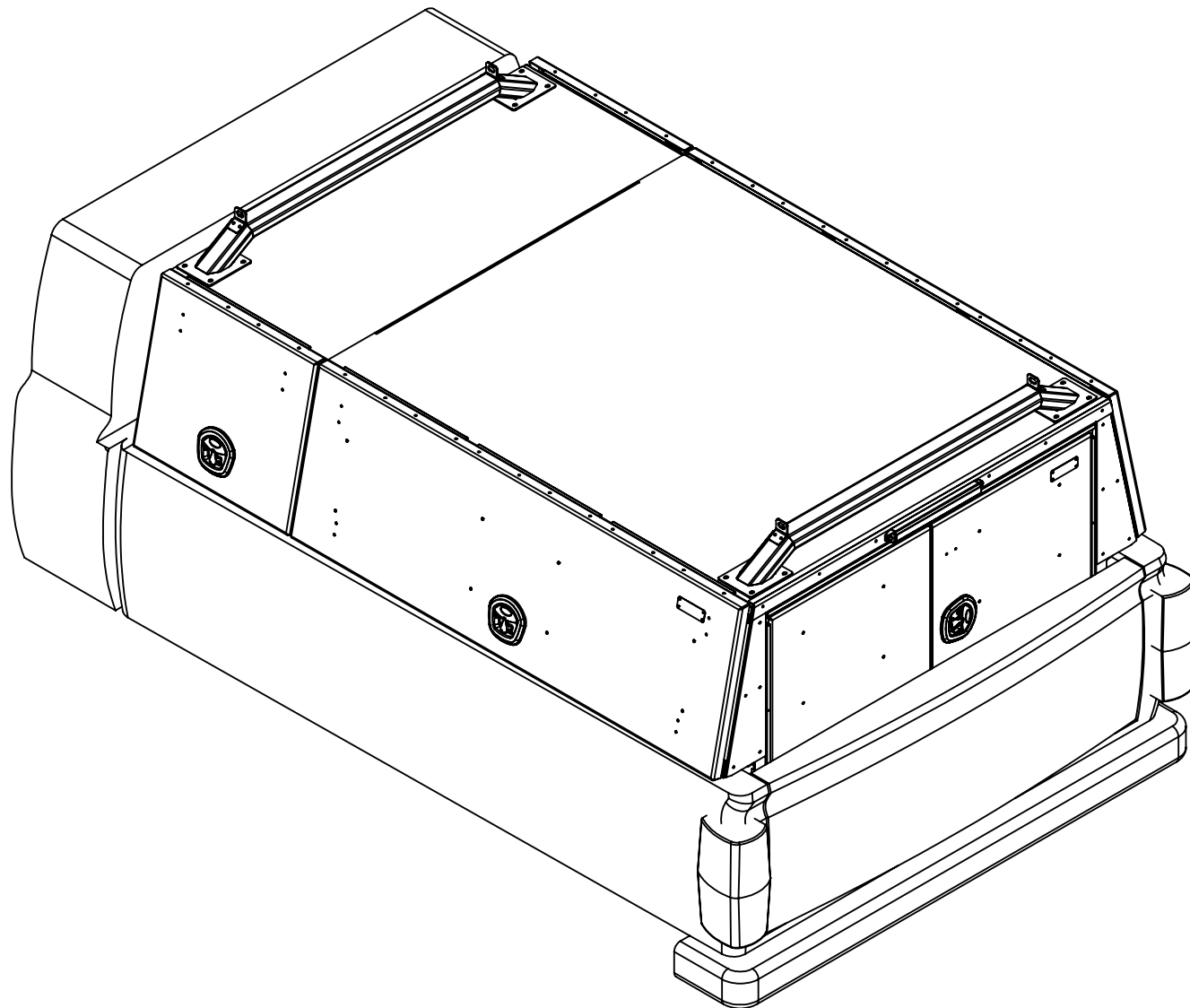
TRUCK BED RAIL

# X-ONE Truck Pack

LONG BOX (APROX 8 FT.)

6 - DOOR

CAB HEIGHT



5

4

3

2

1

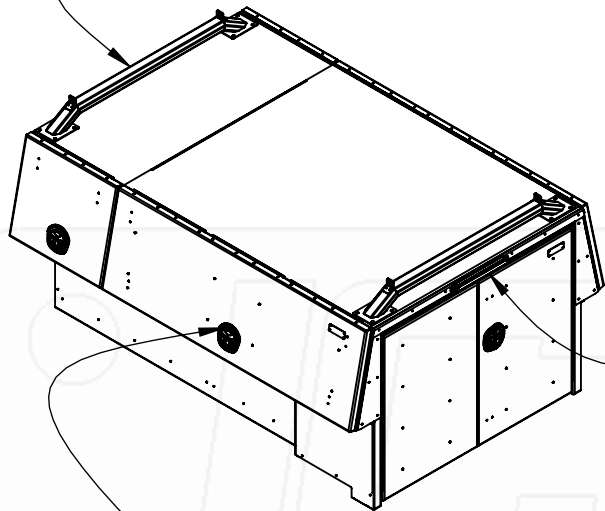
D

C

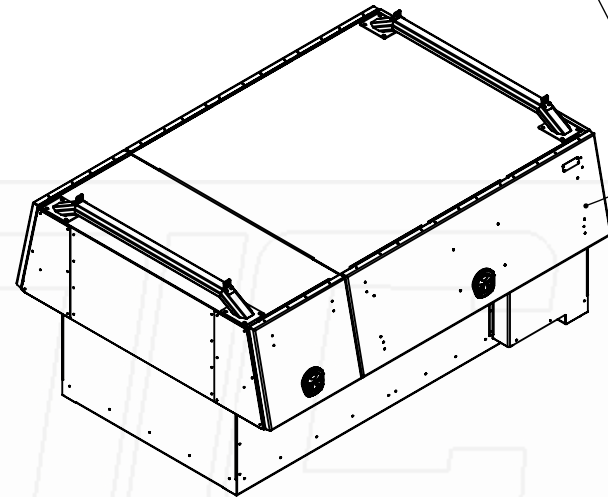
B

A

**LADDER RACK CAPACITY  
750LBS (EVENLY DISTRIBUTED)**

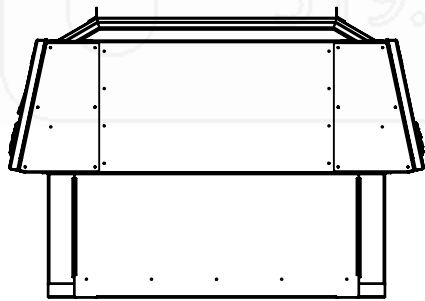


**ALL DOORS  
HAVE GAS SHOCKS**

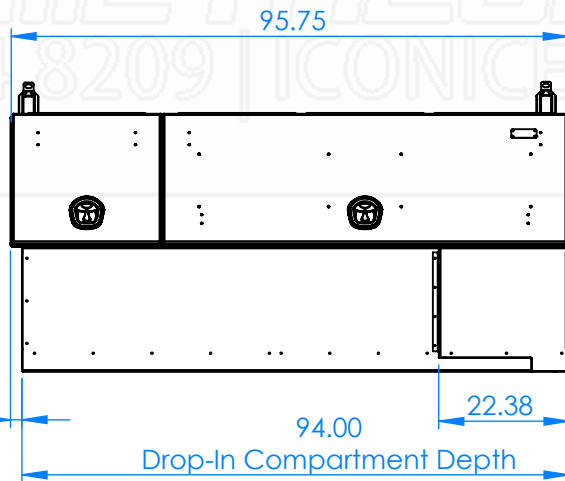


**3rd LED TAIL LIGHT**

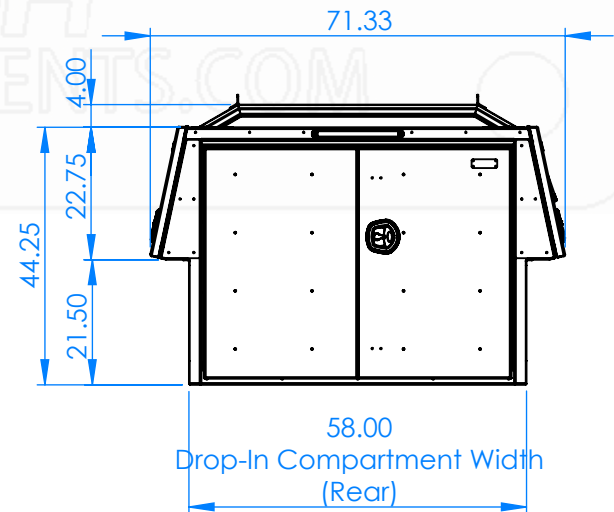
**WHALE TAIL HANDLE  
CHROME**



49.00  
Drop-In Compartment  
Width (Front)



95.75  
2.00  
94.00  
Drop-In Compartment Depth  
22.38



71.33  
4.00  
44.25  
22.75  
21.50  
58.00  
Drop-In Compartment Width  
(Rear)

Part No.:

**3040**

MATERIAL: 5052 (Alum)

THICKNESS: 0.125

FINISH: Powder

DWG. NO.: 4124-0-00-B

Approx. Weight: 693.66lbs  
Surf. Area: 735.01 sq. ft.

**ICONIC ELEMENTS (ICONIC METALGEAR)**

PROPRIETARY AND CONFIDENTIAL  
NO PART OF THIS DOCUMENT MAY BE REPRODUCED, STORED IN A RETRIEVAL SYSTEM, OR TRANSMITTED  
IN ANY FORM, WITHOUT THE WRITTEN PERMISSION OF Iconic Elements Inc. (ICONIC METALGEAR)

TITLE:

X-One Truck Pack (6 Door, Long)

REV: SHEET:

B 2 OF 6

5

4

3

2

1

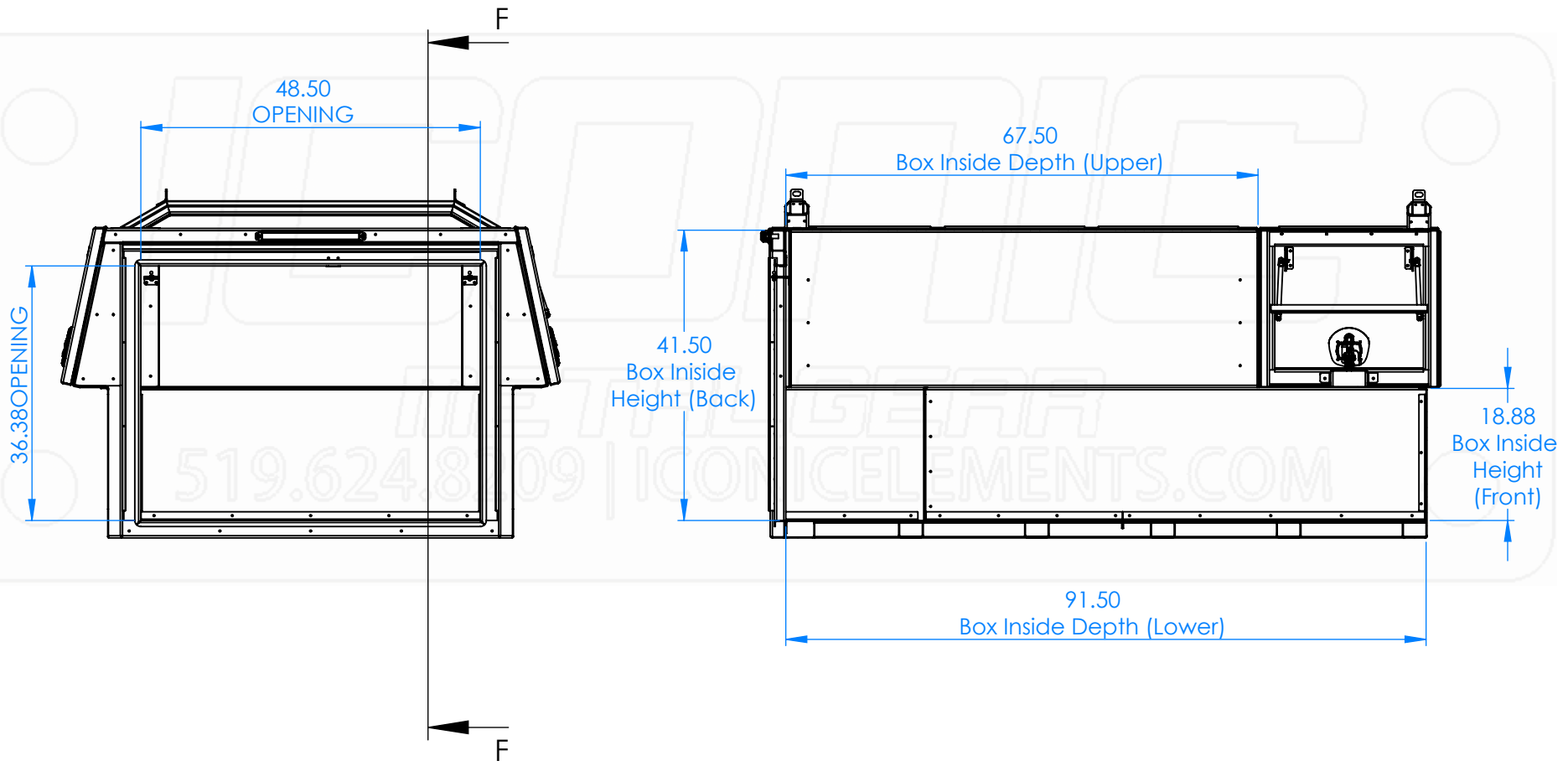
D

C

B

A





Part No.:

**3040**

MATERIAL: 5052 (Alum)

THICKNESS: 0.125

FINISH: Powder

DWG. NO.: 4124-0-00-B

Approx. Weight: 693.66 lbs

**ICONIC ELEMENTS (ICONIC METALGEAR)** TITLE:

REV: SHEET:

Surf. Area: 735.01 sq. ft.

PROPRIETARY AND CONFIDENTIAL  
NO PART OF THIS DOCUMENT MAY BE REPRODUCED, STORED IN A RETRIEVAL SYSTEM, OR TRANSMITTED IN ANY FORM, WITHOUT THE WRITTEN PERMISSION OF Iconic Elements Inc. (ICONIC METALGEAR)

X-One Truck Pack (6 Door, Long)

**B** 3 OF 6

5

4

3

2

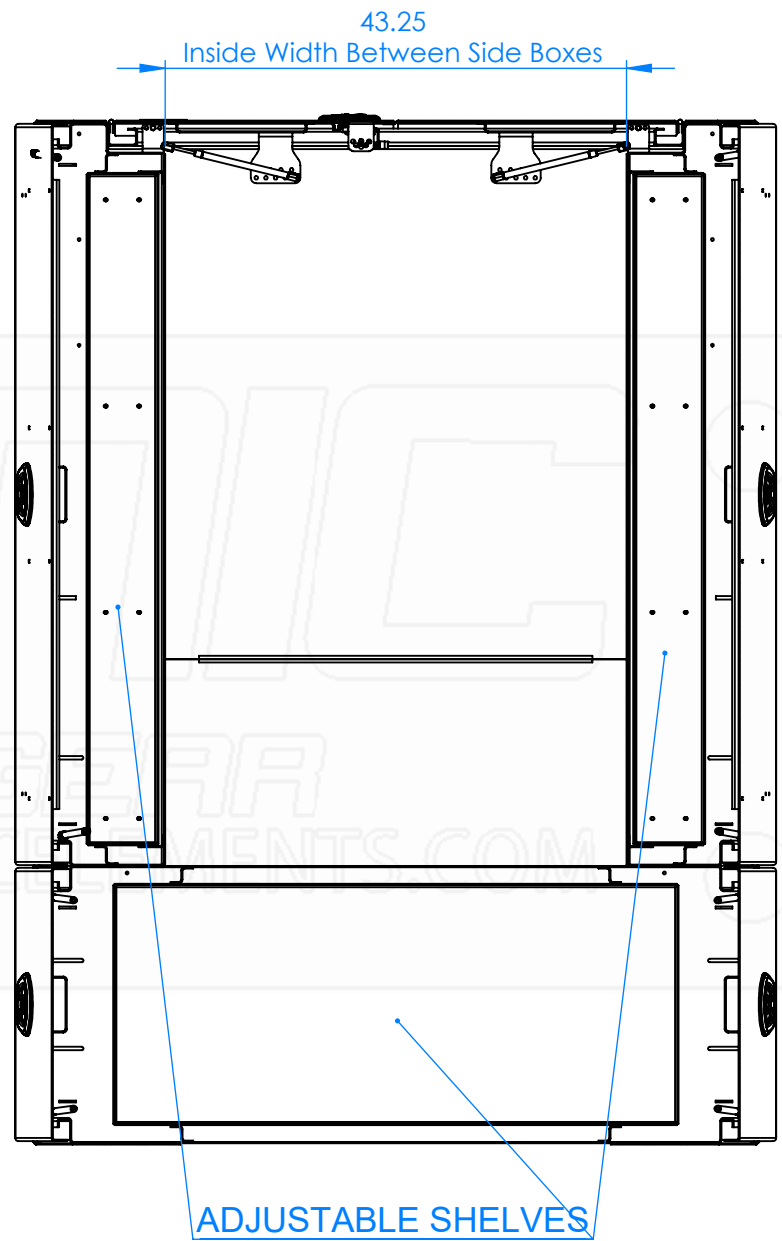
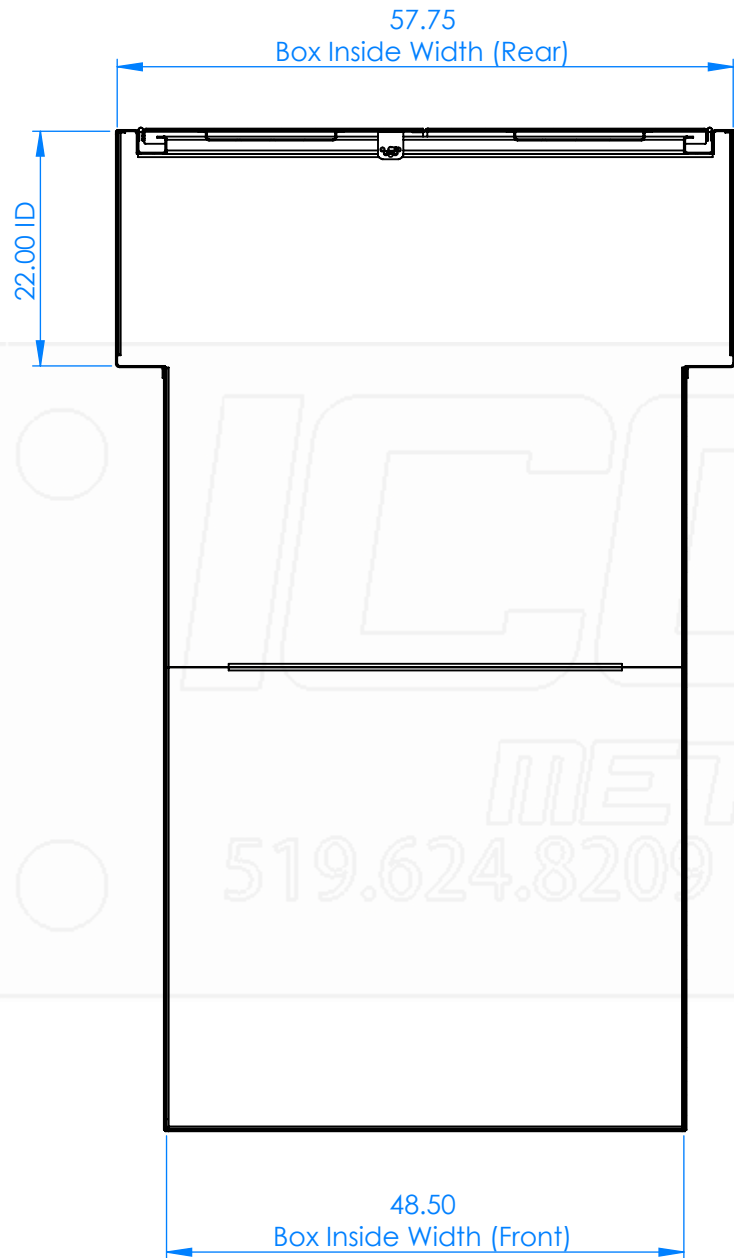
1

D

C

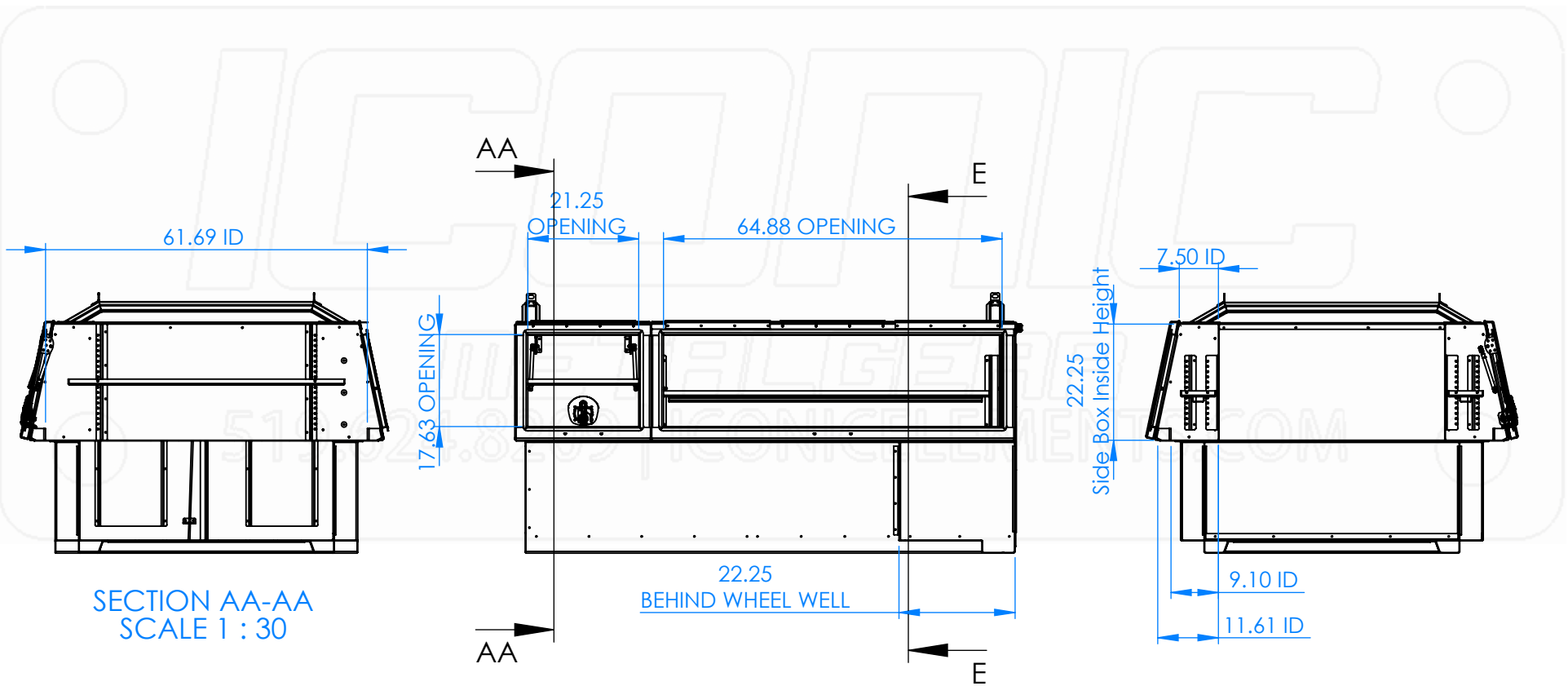
B

A



D  
C  
B  
A

Part No.: <b>3040</b>	MATERIAL: 5052 (Alum)	THICKNESS: 0.125	FINISH: Powder	DWG. NO.: 4124-0-00-B
	Approx. Weight: 693.66 lbs	<b>ICONIC ELEMENTS (ICONIC METALGEAR)</b> TITLE: X-One Truck Pack (6 Door, Long)		REV: SHEET: B 4 OF 6
	Surf. Area: 735.01 sq. ft.	<small>PROPRIETARY AND CONFIDENTIAL NO PART OF THIS DOCUMENT MAY BE REPRODUCED, STORED IN A RETRIEVAL SYSTEM, OR TRANSMITTED IN ANY FORM, WITHOUT THE WRITTEN PERMISSION OF Iconic Elements Inc. (ICONIC METALGEAR)</small>		

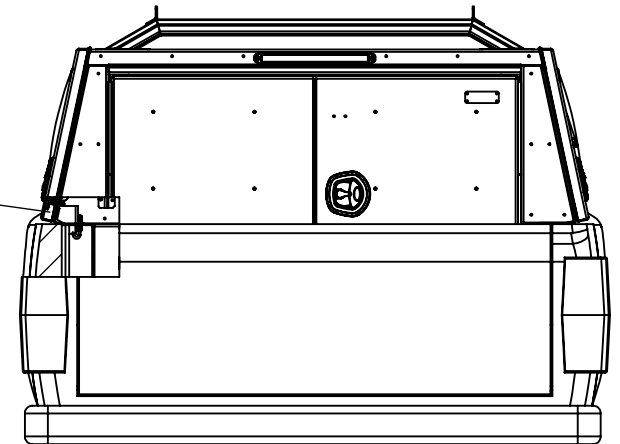
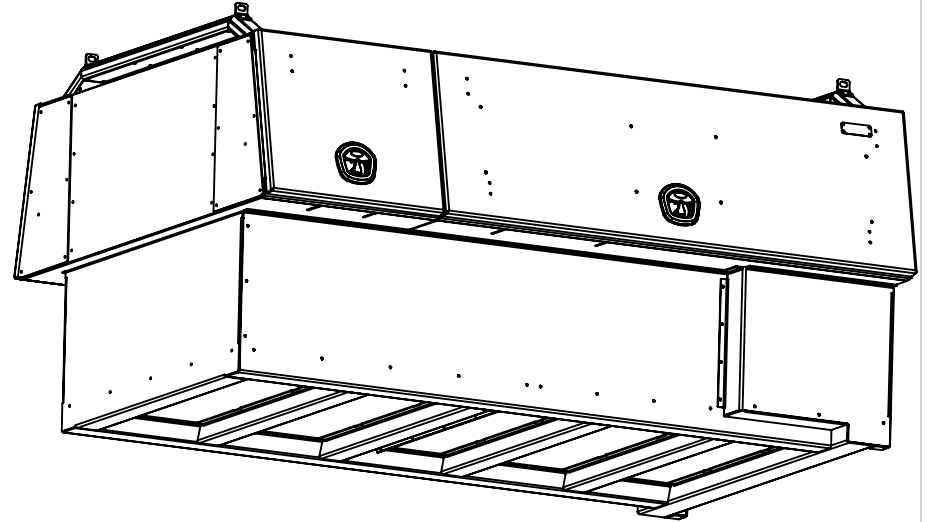


SECTION AA-AA  
SCALE 1 : 30

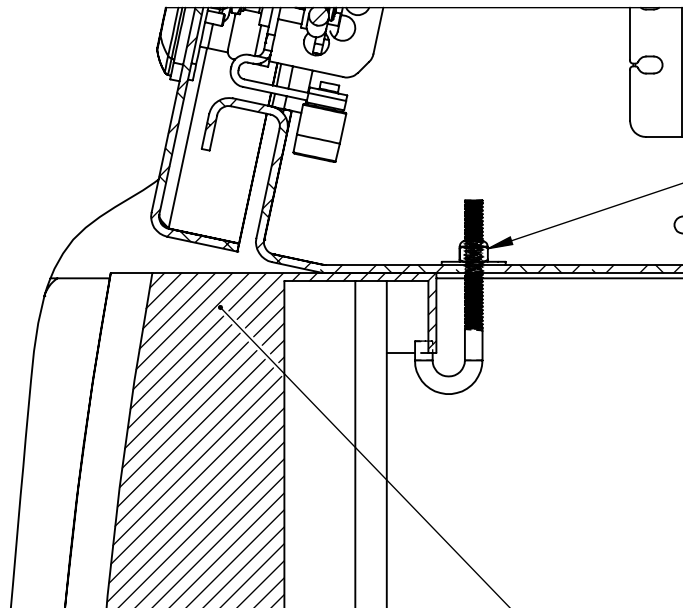
Part No.:	MATERIAL: 5052 (Alum)	THICKNESS: 0.125	FINISH: Powder	DWG. NO.: 4124-0-00-B
<b>3040</b>	Approx. Weight: 693.66 lbs	<b>ICONIC ELEMENTS (ICONIC METALGEAR)</b> TITLE:		REV: SHEET:
	Surf. Area: 735.01 sq. ft.	<small>PROPRIETARY AND CONFIDENTIAL NO PART OF THIS DOCUMENT MAY BE REPRODUCED, STORED IN A RETRIEVAL SYSTEM, OR TRANSMITTED IN ANY FORM, WITHOUT THE WRITTEN PERMISSION OF Iconic Elements Inc. (ICONIC METALGEAR)</small>		<b>B 5 OF 6</b>

# INSTALLATION GUIDE

APPROX 3 HOURS INSTALL  
(CONTACT AUTO SHOP FOR  
HOOKING UP 3rd BRAKE LIGHT WIRING)



INCLUDED HARDWARE



TRUCK BED RAIL