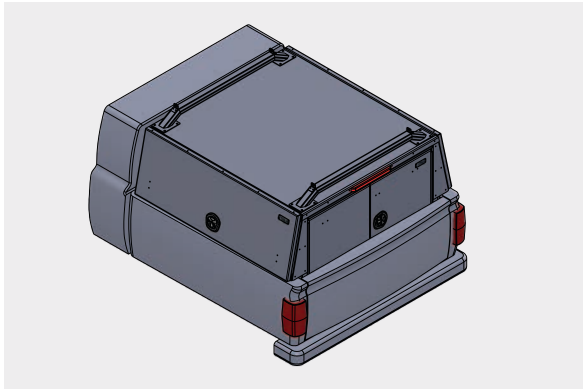




X-ONE TRUCK CAP  
**4-DOOR**

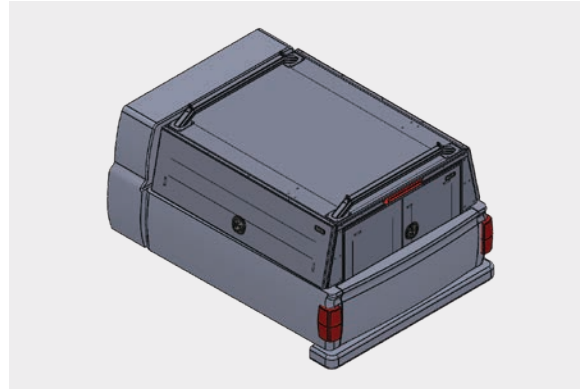


# BED SIZES:



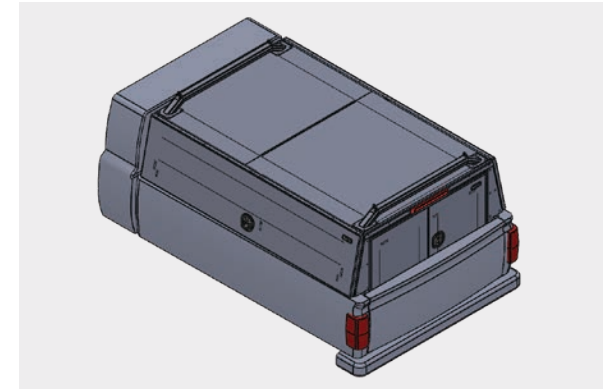
**SHORT BOX** (PAGE 3)

[GO TO SHORT BOX](#)



**REGULAR BOX** (PAGE 9)

[GO TO REGULAR BOX](#)



**LONG BOX** (PAGE 15)

[GO TO LONG BOX](#)



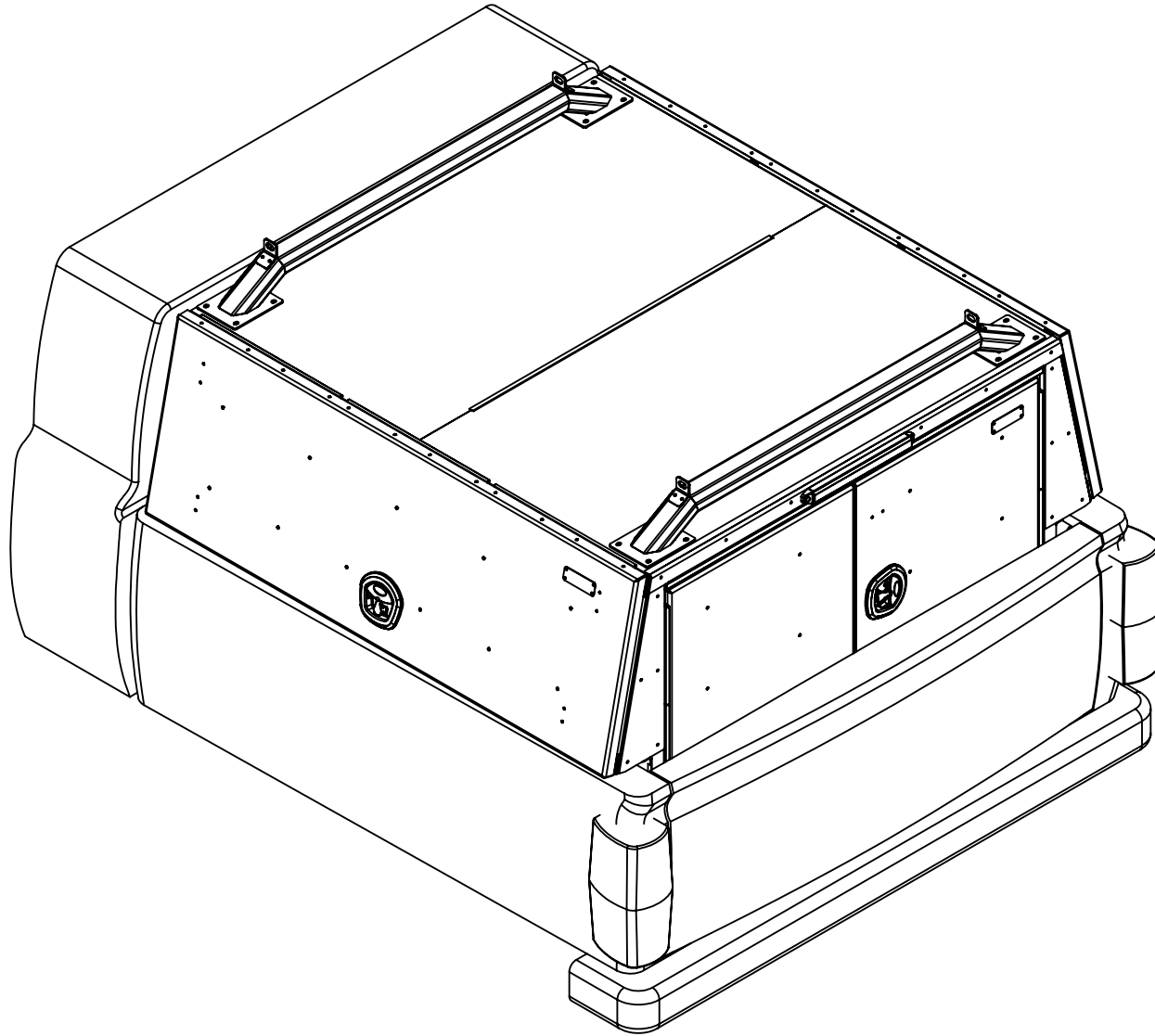
## **NEW!** FLIP UP REAR DOOR

Choose to swap the X-ONE's standard rear barn doors for a single flip-up door. **Now available for every size and configuration.**

X-ONE CONFIGURATIONS:  
**4-DOOR VERSION**



**X-ONE Truck Pack**  
**SHORT BED (APROX 5.5FT.)**  
**4 - DOOR**  
**CAB HEIGHT**



5

4

3

2

1

D

C

B

A

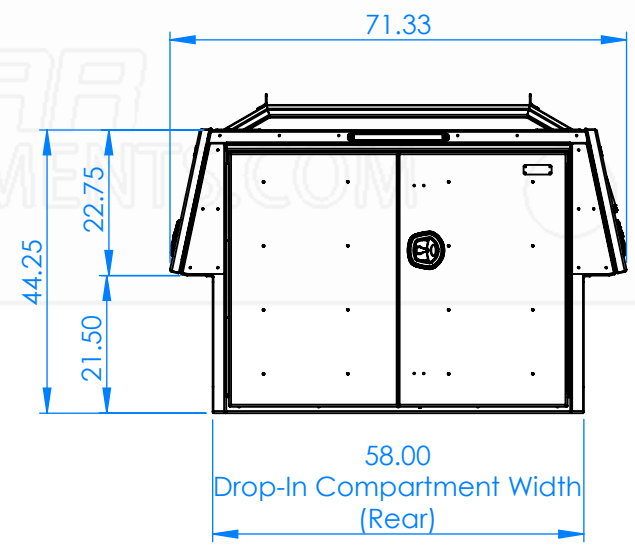
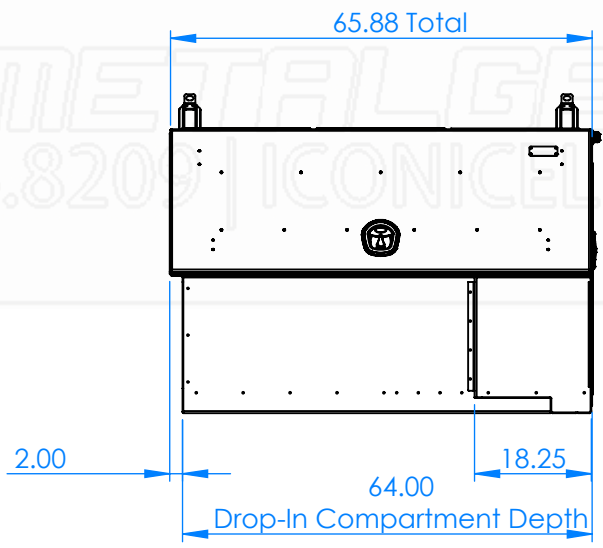
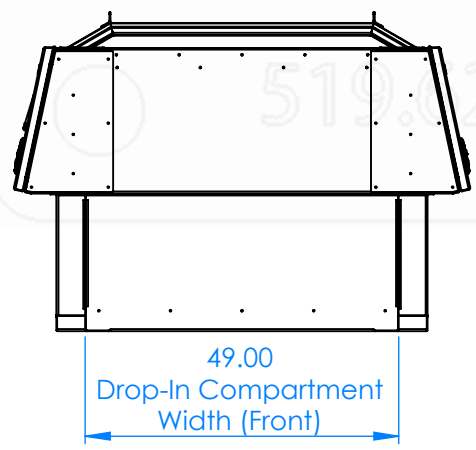
**LADDER RACK CAPACITY  
750LBS (EVENLY DISTRIBUTED)**

**ALL DOORS  
HAVE GAS SHOCKS**

**3rd LED TAIL LIGHT**

**COATED PANEL**

**WHALE TAIL HANDLE  
CHROME, LOCKING**



Part No.:	MATERIAL: 5052 (Alum)	THICKNESS: 0.125	FINISH: Powder	DWG. NO.: 4125-0-00-B
<b>3052</b>	Approx. Weight: 516.58 lbs	<b>ICONIC ELEMENTS (ICONIC METALGEAR)</b> TITLE:		REV: SHEET:
	Surf. Area: 542.24 sq. ft.	<small>PROPRIETARY AND CONFIDENTIAL NO PART OF THIS DOCUMENT MAY BE REPRODUCED, STORED IN A RETRIEVAL SYSTEM, OR TRANSMITTED IN ANY FORM, WITHOUT THE WRITTEN PERMISSION OF Iconic Elements Inc. (ICONIC METALGEAR)</small>		<b>B</b> 2 OF 6

X-One Pack

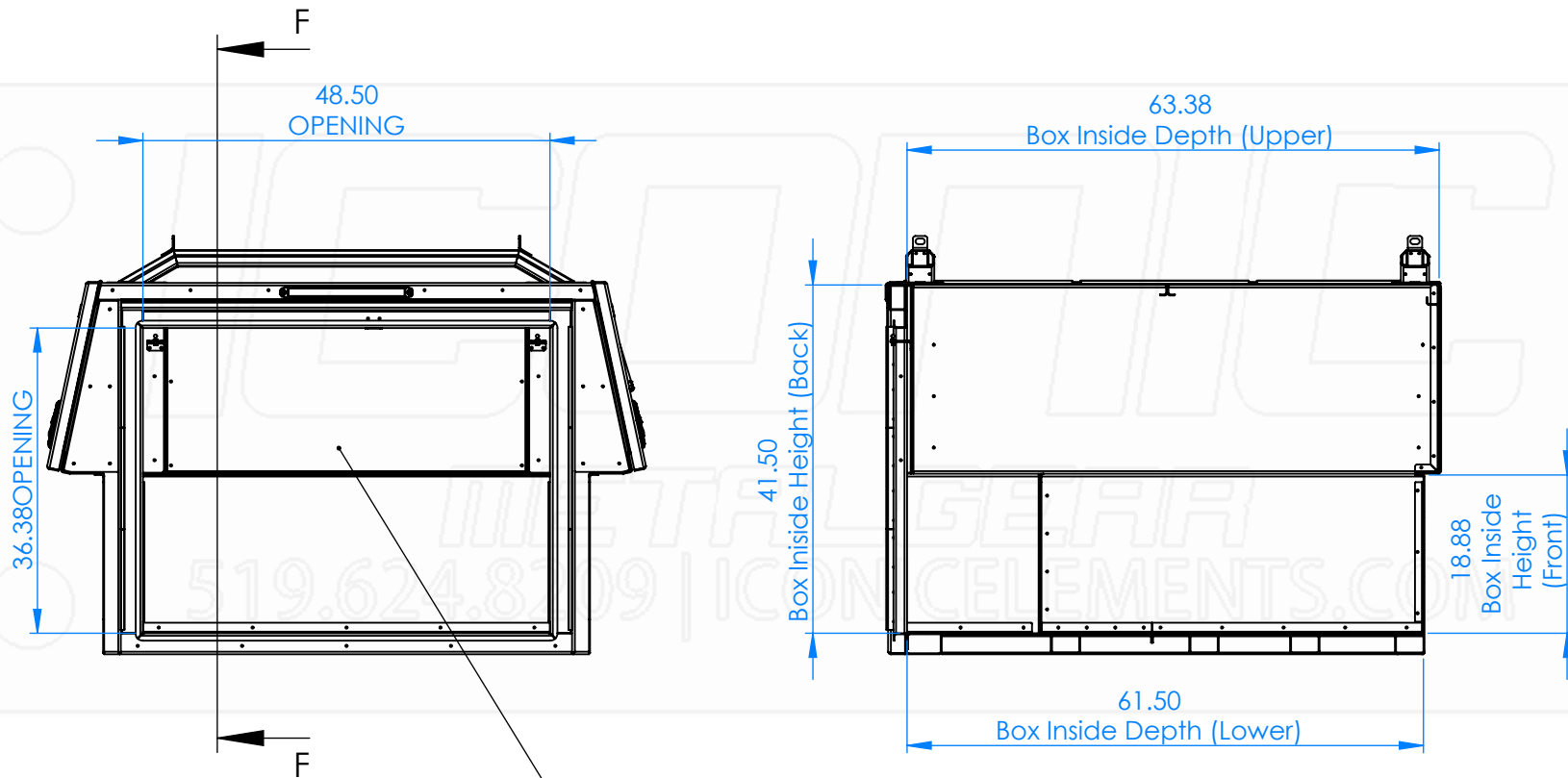
5

4

3

2

1



**BACK DOOR OPENING = 48.5" WIDE x 36.38" HIGH**

Part No.:

**3052**

MATERIAL: 5052 (Alum)

THICKNESS: 0.125

FINISH: Powder

DWG. NO.: 4125-0-00-B

Approx. Weight: 516.58 lbs

**ICONIC ELEMENTS (ICONIC METALGEAR)** TITLE:

REV: SHEET:

Surf. Area: 542.24 sq. ft.

PROPRIETARY AND CONFIDENTIAL  
NO PART OF THIS DOCUMENT MAY BE REPRODUCED, STORED IN A RETRIEVAL SYSTEM, OR TRANSMITTED IN ANY FORM, WITHOUT THE WRITTEN PERMISSION OF Iconic Elements Inc. (ICONIC METALGEAR)

X-One Pack

**B** 3 OF 6

5

4

3

2

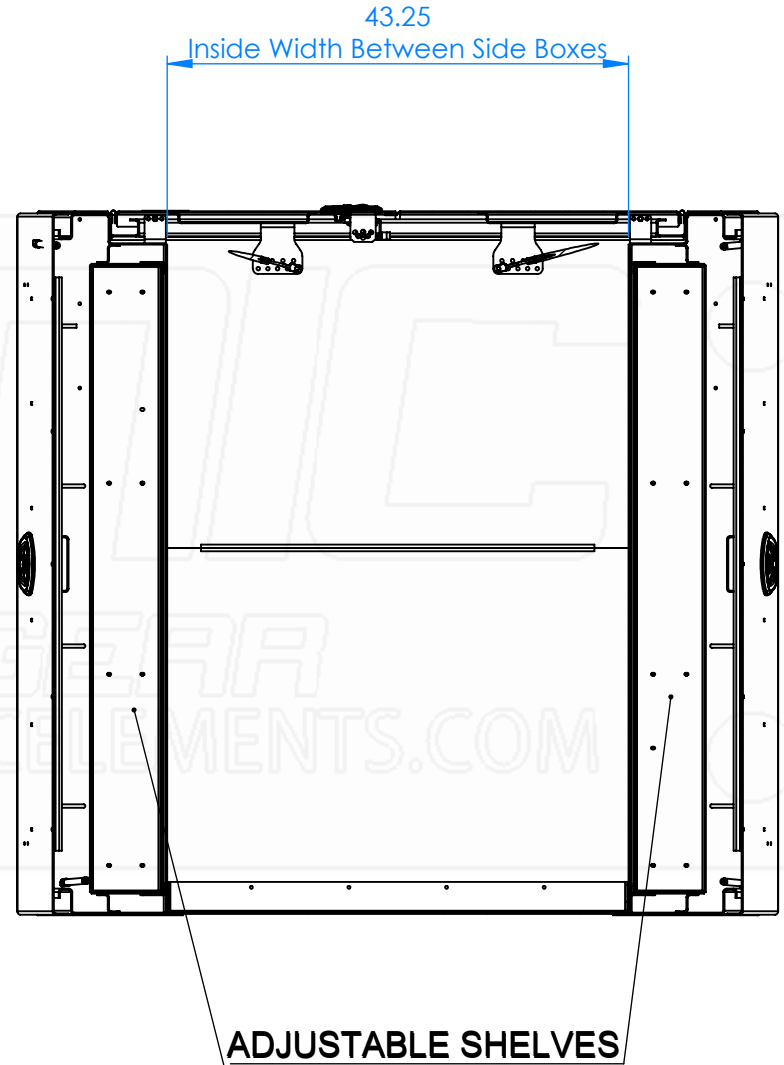
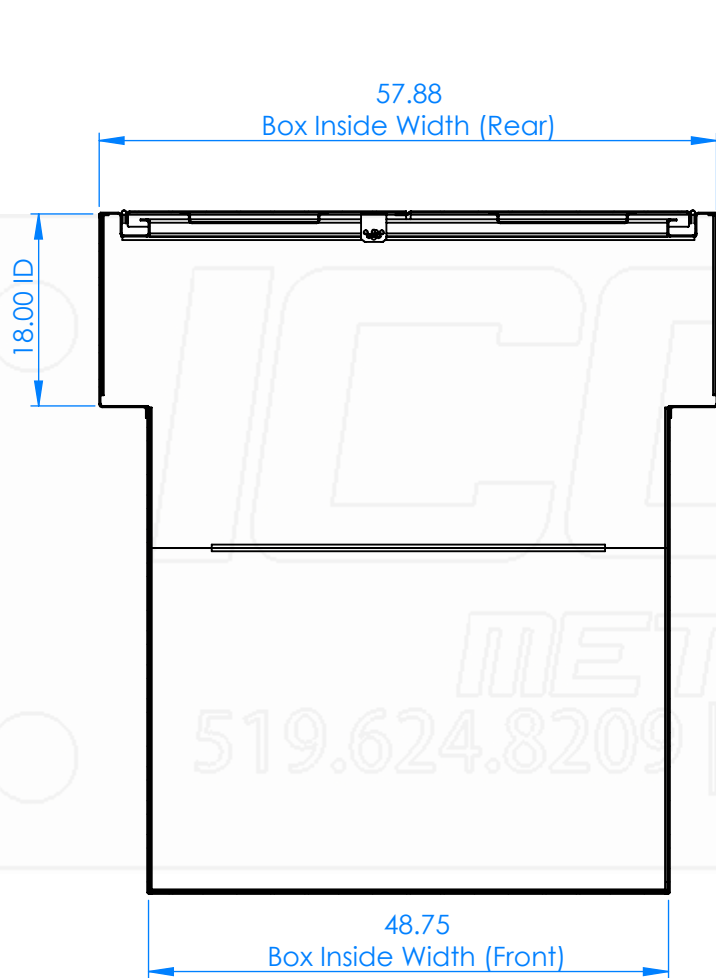
1

D

C

B

A



Part No.:

**3052**

MATERIAL: 5052 (Alum)

Approx. Weight: 516.58 lbs

Surf. Area: 542.24 sq. ft.

THICKNESS: 0.125

**ICONIC ELEMENTS (ICONIC METALGEAR)** TITLE:

PROPRIETARY AND CONFIDENTIAL  
NO PART OF THIS DOCUMENT MAY BE REPRODUCED, STORED IN A RETRIEVAL SYSTEM, OR TRANSMITTED IN ANY FORM, WITHOUT THE WRITTEN PERMISSION OF Iconic Elements Inc. (ICONIC METALGEAR)

FINISH: Powder

X-One Pack

DWG. NO.: 4125-0-00-B

REV: SHEET:

**B** 4 OF 6

5

4

3

2

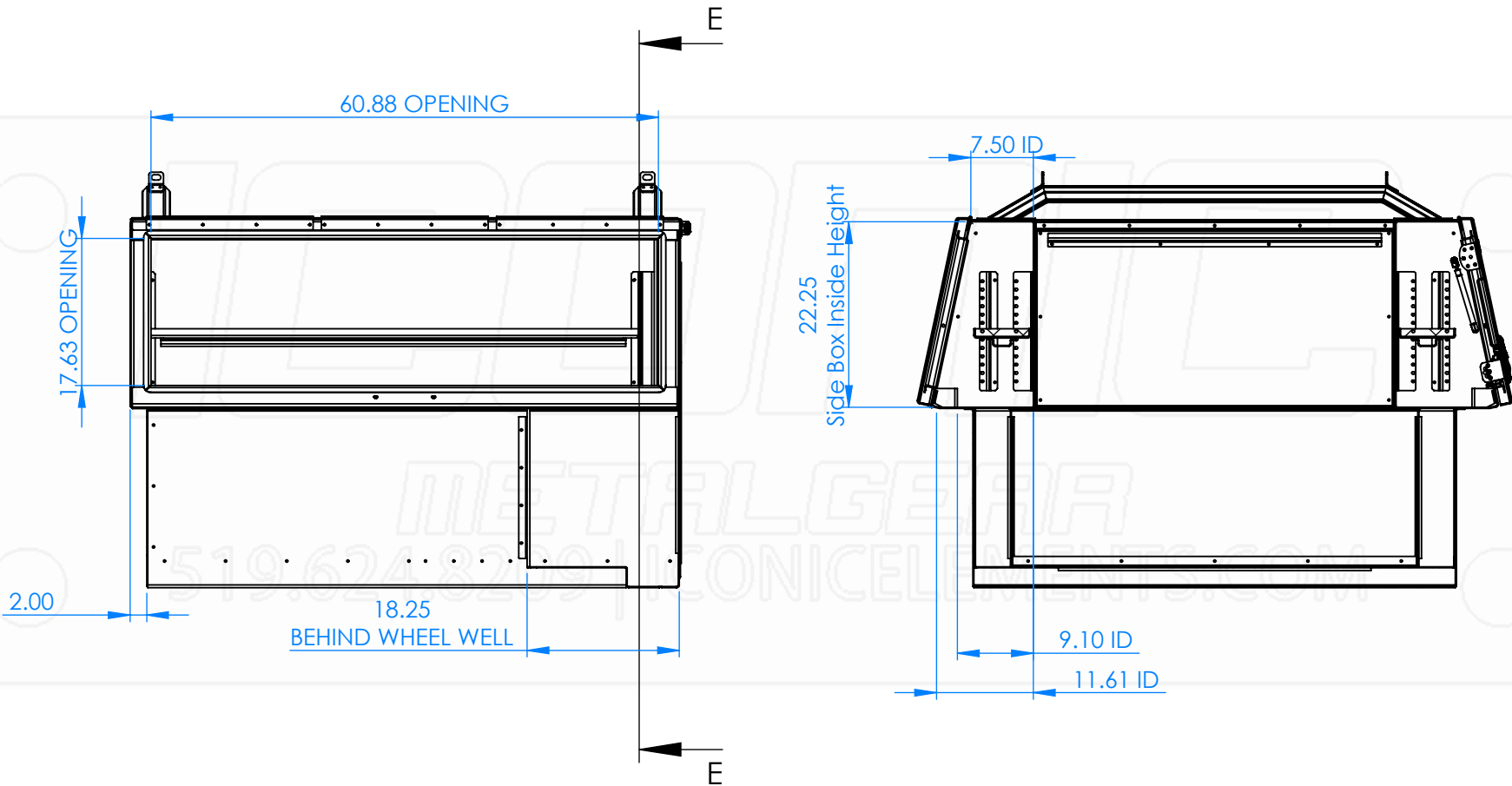
1

D

C

B

A



Part No.:

**3052**

MATERIAL: 5052 (Alum)

Approx. Weight: 516.58 lbs

Surf. Area: 542.24 sq. ft.

THICKNESS: 0.125

**ICONIC ELEMENTS (ICONIC METALGEAR)** TITLE:

PROPRIETARY AND CONFIDENTIAL  
NO PART OF THIS DOCUMENT MAY BE REPRODUCED, STORED IN A RETRIEVAL SYSTEM, OR TRANSMITTED IN ANY FORM, WITHOUT THE WRITTEN PERMISSION OF Iconic Elements Inc. (ICONIC METALGEAR)

FINISH: Powder

X-One Pack

DWG. NO.: 4125-0-00-B

REV: SHEET:

**B** 5 OF 6

5

4

3

2

1

D

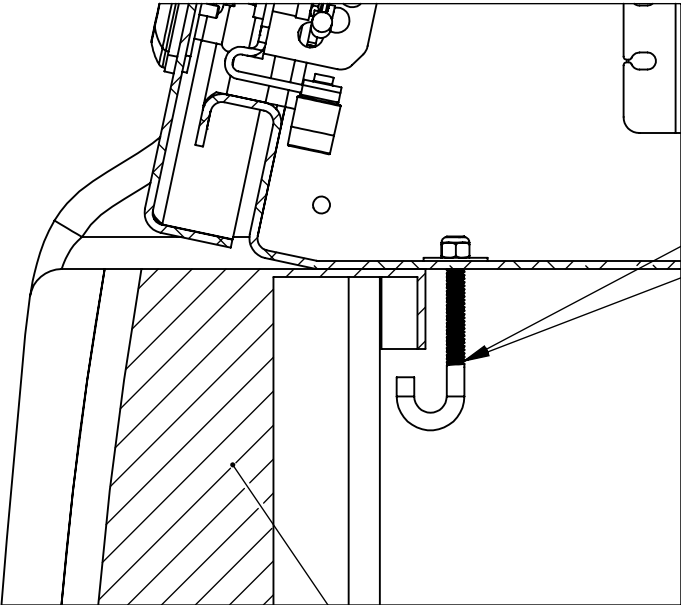
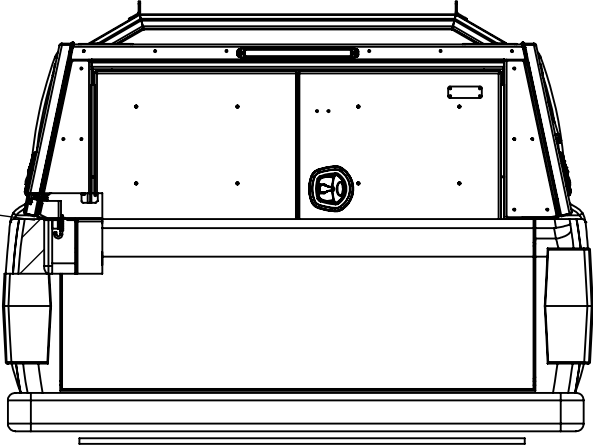
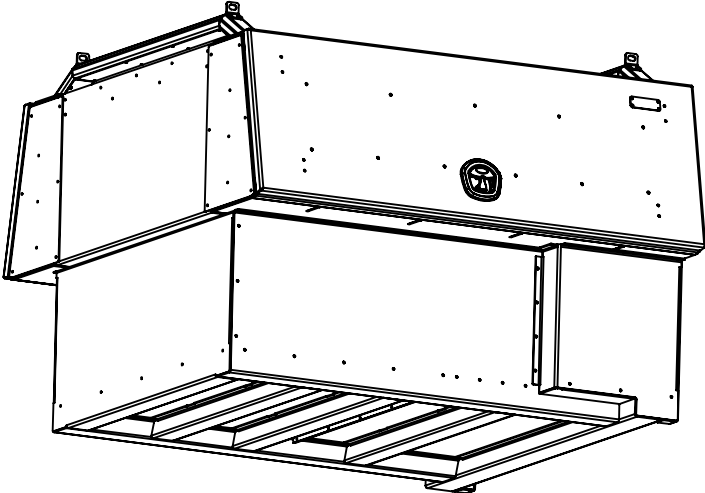
C

B

A

# INSTALLATION GUIDE

APPROX 3 HOURS INSTALL  
(CONTACT AUTO SHOP FOR  
HOOKING UP 3rd BRAKE LIGHT WIRING)



**CUT EXCESS OFF  
INCLUDED HARDWARE**

**TRUCK BED RAIL**

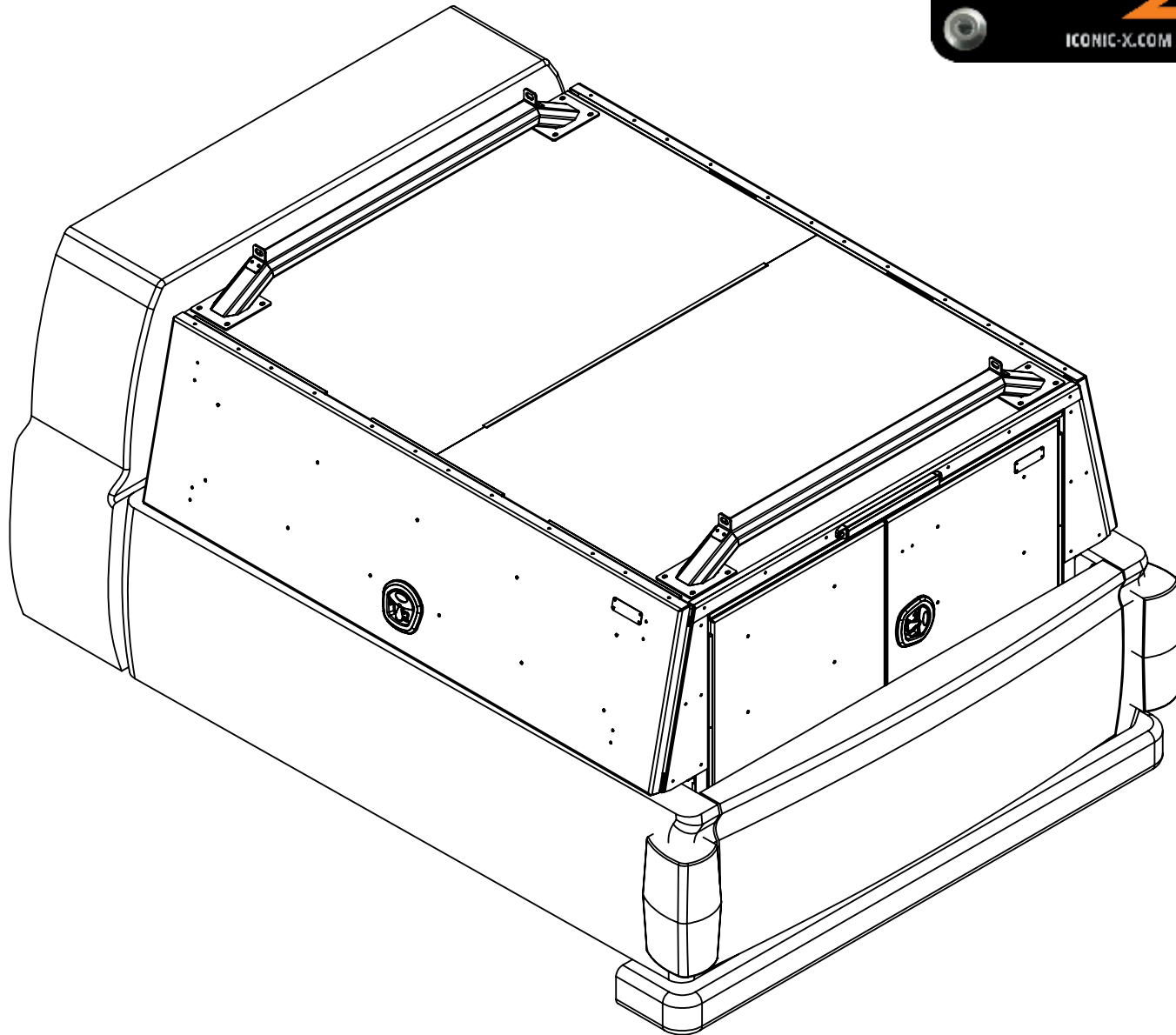


# X-ONE Truck Pack

REGULAR BOX (APROX 6.6 FT.)

4 - DOOR

CAB HEIGHT



D

C

B

A

5

4

3

2

1

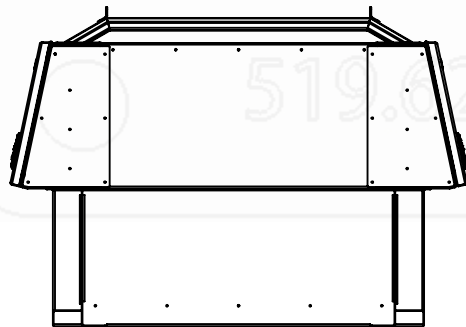
**LADDER RACK CAPACITY  
750LBS (EVENLY DISTRIBUTED)**

**ALL DOORS  
HAVE GAS SHOCKS**

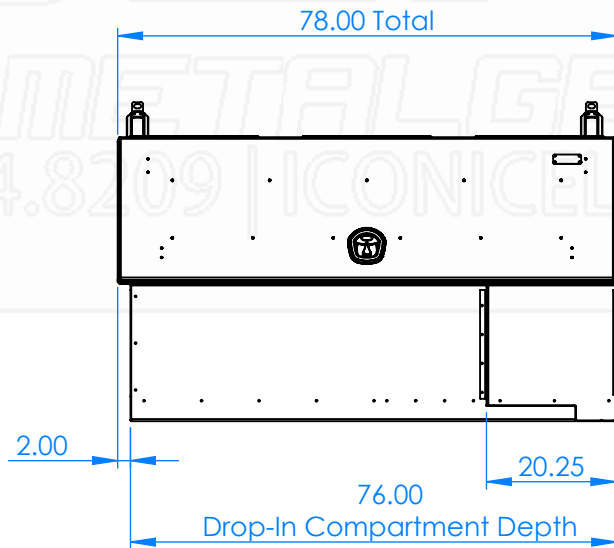
**3rd LED TAIL LIGHT**

**COATED PANEL**

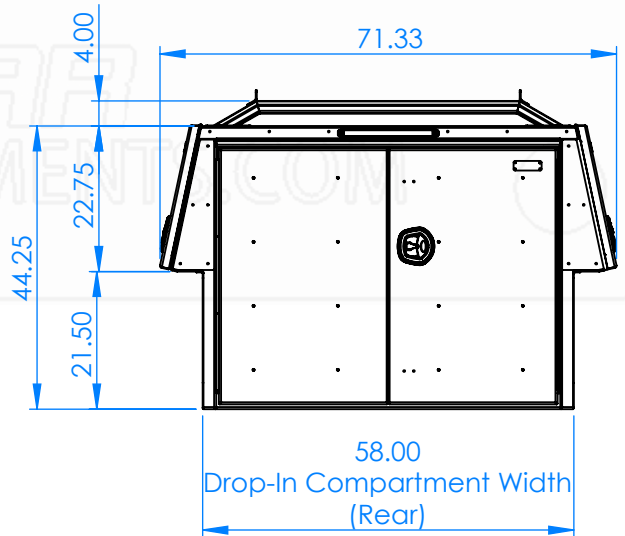
**WHALE TAIL HANDLE  
CHROME, LOCKING**



49.00  
Drop-In Compartment  
Width (Front)



78.00 Total  
2.00  
76.00  
20.25  
Drop-In Compartment  
Depth



71.33  
4.00  
22.75  
44.25  
21.50  
58.00  
Drop-In Compartment  
Width (Rear)

Part No.:

**3053**

MATERIAL: 5052 (Alum)

THICKNESS: 0.125

FINISH: Powder

DWG. NO.: 4126-0-00-B

Approx. Weight: 578.82 lbs

Surf. Area: 607.74 sq. ft.

**ICONIC ELEMENTS (ICONIC METALGEAR) TITLE:**

PROPRIETARY AND CONFIDENTIAL  
NO PART OF THIS DOCUMENT MAY BE REPRODUCED, STORED IN A RETRIEVAL SYSTEM, OR TRANSMITTED  
IN ANY FORM, WITHOUT THE WRITTEN PERMISSION OF Iconic Elements Inc. (ICONIC METALGEAR)

X-One Pack

REV: SHEET:

**B** 2 OF 6

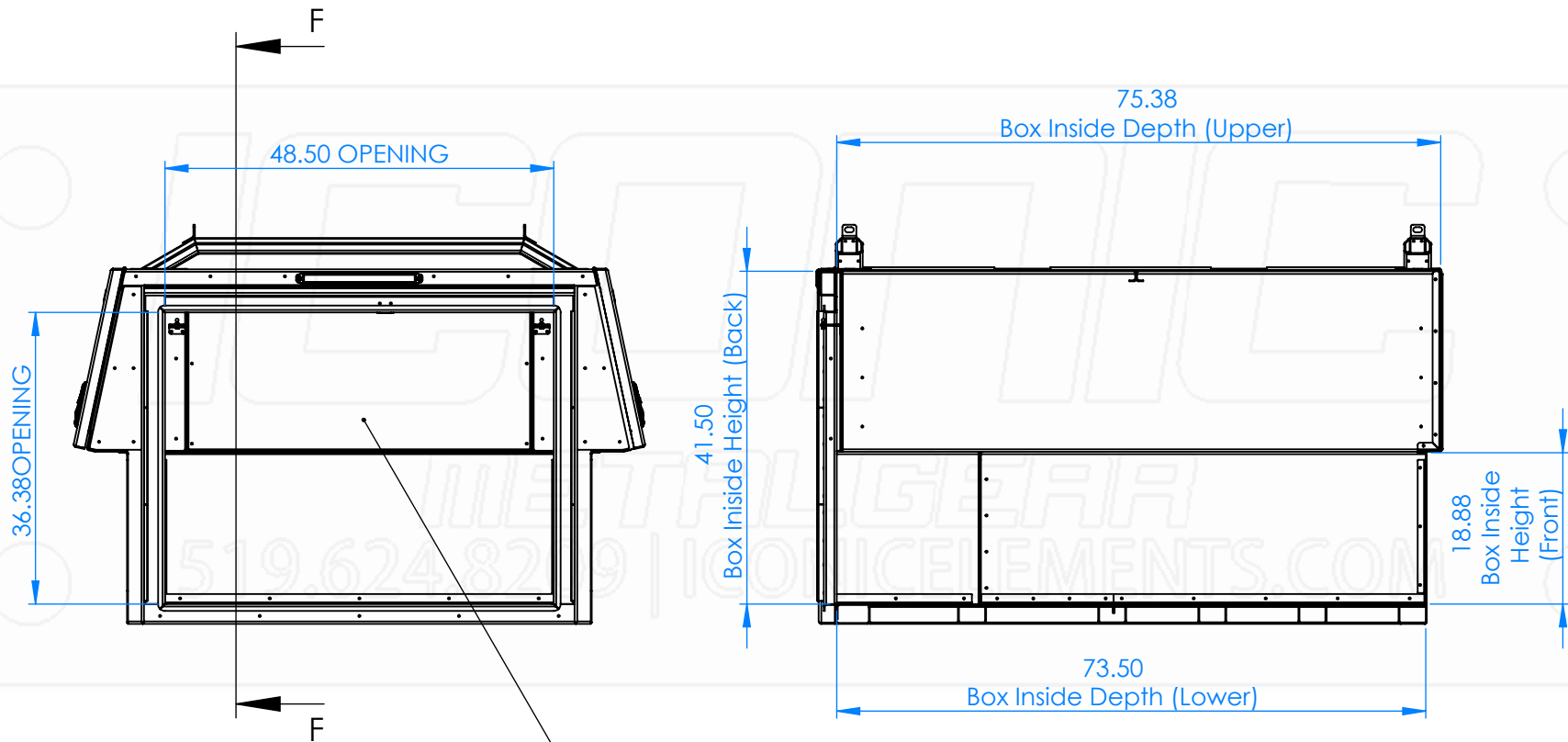
5

4

3

2

1



**BACK DOOR OPENING = 48.5" WIDE x 36.38" HIGH**

Part No.:	MATERIAL: 5052 (Alum)	THICKNESS: 0.125	FINISH: Powder	DWG. NO.: 4126-0-00-B
<b>3053</b>	Approx. Weight: 578.82 lbs	<b>ICONIC ELEMENTS (ICONIC METALGEAR)</b> TITLE:		REV: SHEET:
	Surf. Area: 607.74 sq. ft.	<small>PROPRIETARY AND CONFIDENTIAL NO PART OF THIS DOCUMENT MAY BE REPRODUCED, STORED IN A RETRIEVAL SYSTEM, OR TRANSMITTED IN ANY FORM, WITHOUT THE WRITTEN PERMISSION OF Iconic Elements Inc. (ICONIC METALGEAR)</small>		<b>B</b> 3 OF 6
			X-One Pack	

5

4

3

2

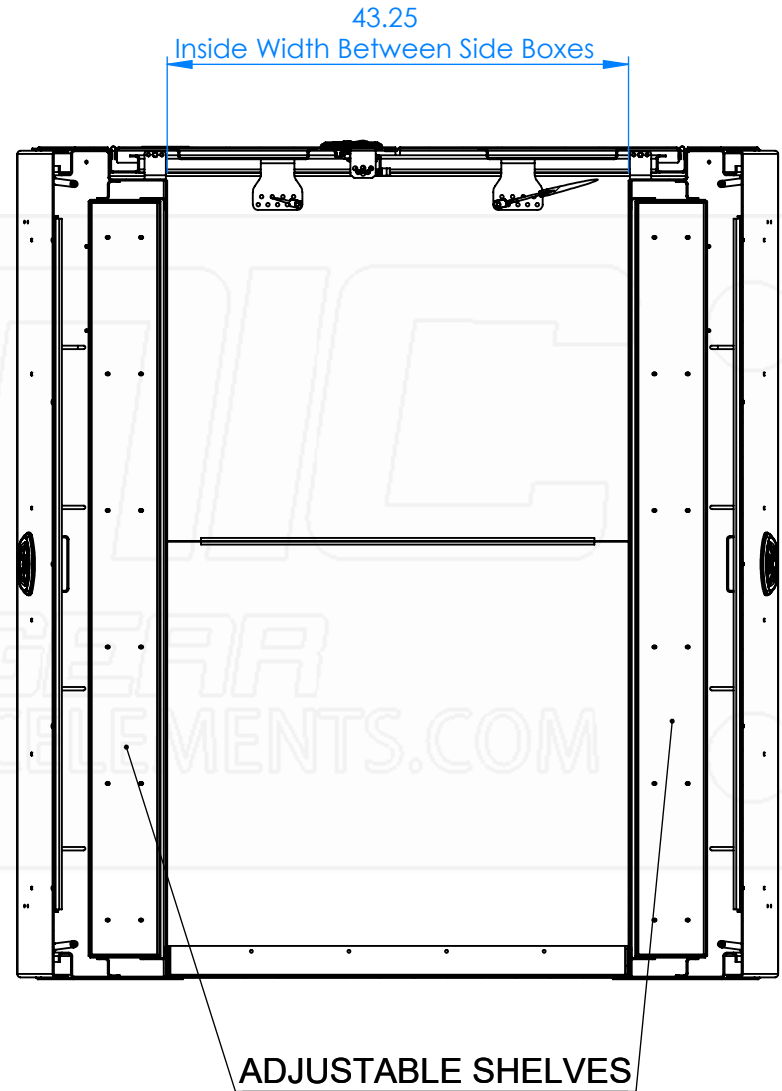
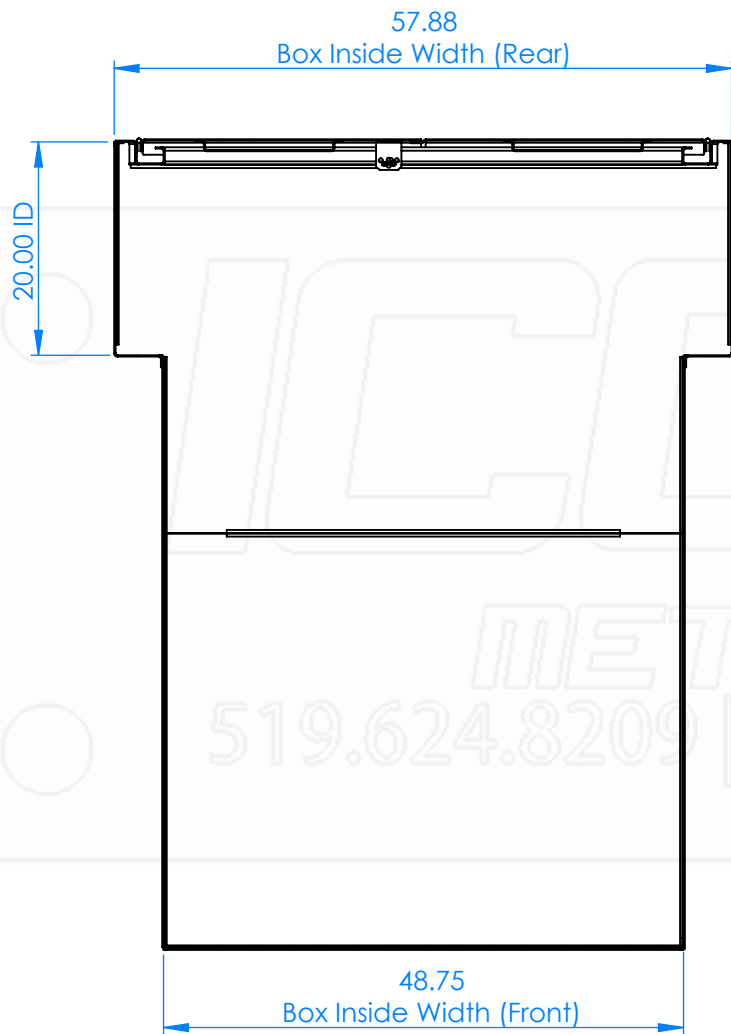
1

D

C

B

A



D  
C  
B  
A

Part No.:

**3053**

MATERIAL: 5052 (Alum)

Approx. Weight: 578.82 lbs

Surf. Area: 607.74 sq. ft.

THICKNESS: 0.125

**ICONIC ELEMENTS (ICONIC METALGEAR)** TITLE:

PROPRIETARY AND CONFIDENTIAL  
NO PART OF THIS DOCUMENT MAY BE REPRODUCED, STORED IN A RETRIEVAL SYSTEM, OR TRANSMITTED  
IN ANY FORM, WITHOUT THE WRITTEN PERMISSION OF Iconic Elements Inc. (ICONIC METALGEAR)

FINISH: Powder

X-One Pack

DWG. NO.: 4126-0-00-B

REV: SHEET:

**B** 4 OF 6

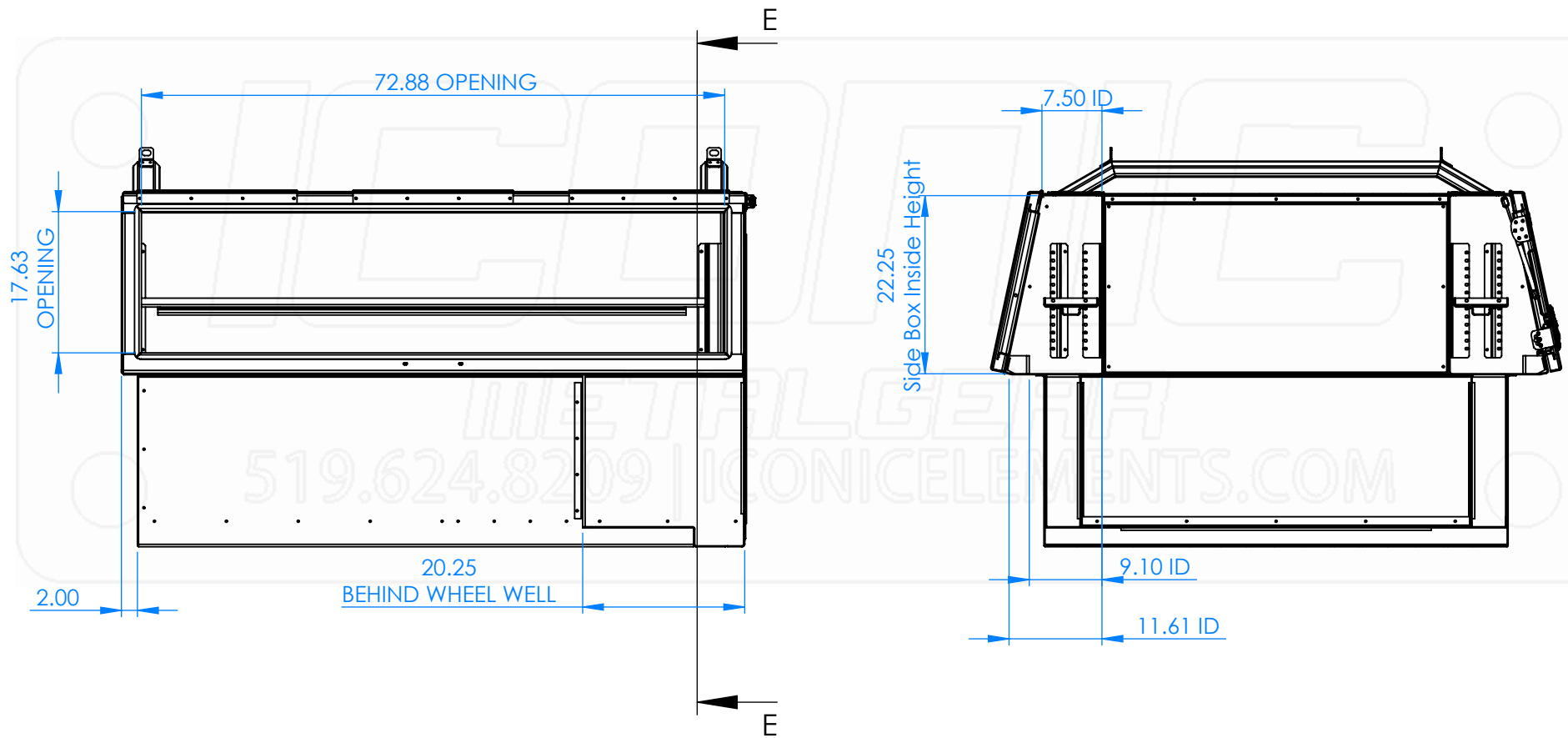
5

4

3

2

1



Part No.:

**3053**

MATERIAL: 5052 (Alum)

Approx. Weight: 578.82 lbs

Surf. Area: 607.74 sq. ft.

THICKNESS: 0.125

**ICONIC ELEMENTS (ICONIC METALGEAR)** TITLE:

PROPRIETARY AND CONFIDENTIAL  
NO PART OF THIS DOCUMENT MAY BE REPRODUCED, STORED IN A RETRIEVAL SYSTEM, OR TRANSMITTED IN ANY FORM, WITHOUT THE WRITTEN PERMISSION OF Iconic Elements Inc. (ICONIC METALGEAR)

FINISH: Powder

X-One Pack

DWG. NO.: 4126-0-00-B

REV: SHEET:

**B** 5 OF 6

5

4

3

2

1

D

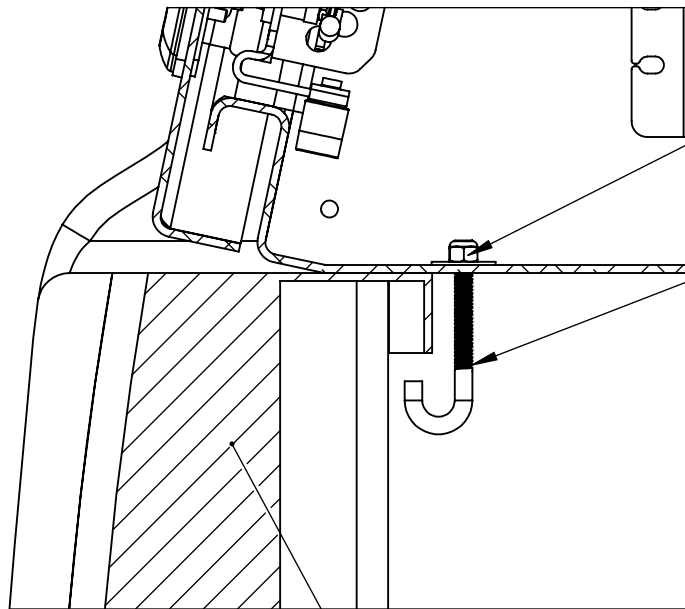
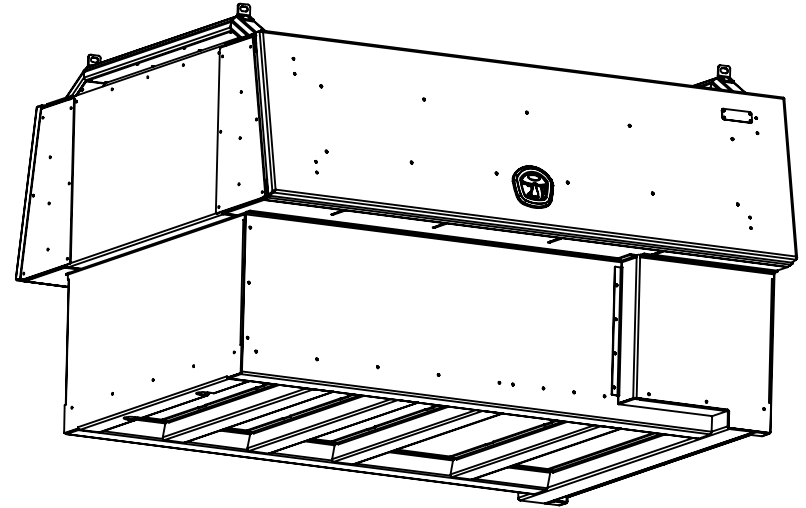
C

B

A

# INSTALLATION GUIDE

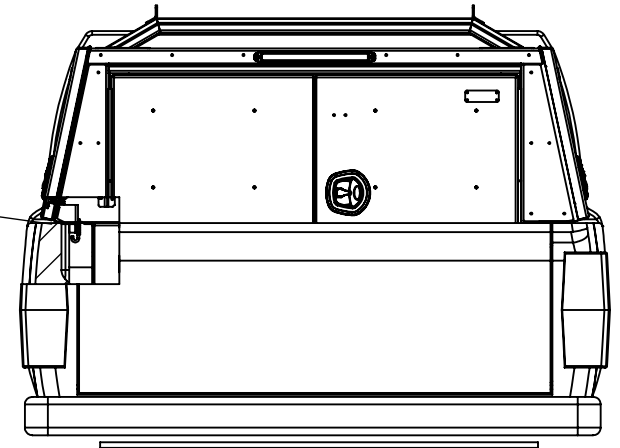
APPROX 3 HOURS INSTALL  
(CONTACT AUTO SHOP FOR  
HOOKING UP 3rd BRAKE LIGHT WIRING)



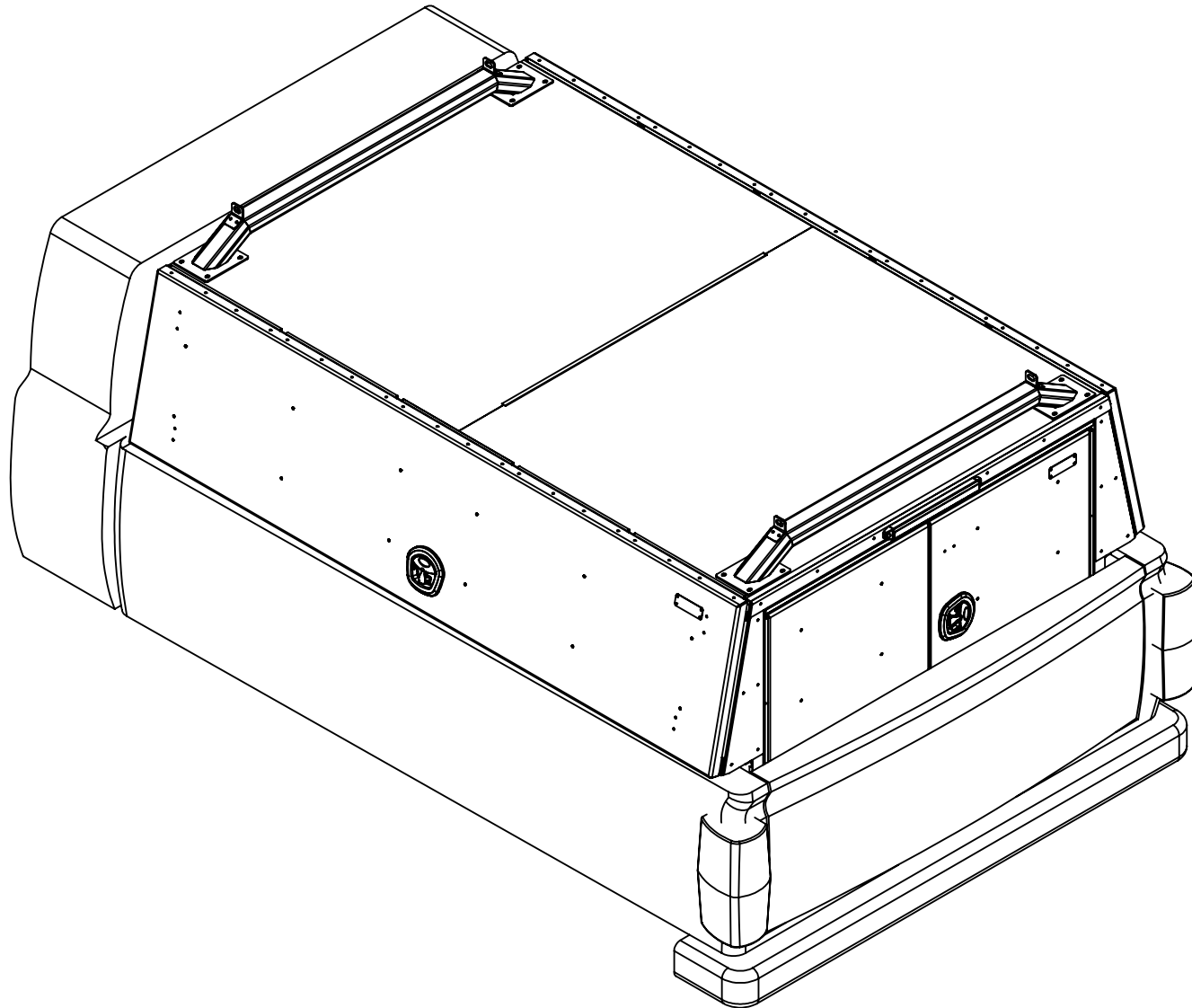
CUT EXCESS OFF

INCLUDED HARDWARE

TRUCK BED RAIL



X-ONE Truck Pack  
LONG BOX (APROX 8 FT.)  
4 DOORS  
CAB HEIGHT



5

4

3

2

1

D

C

B

A

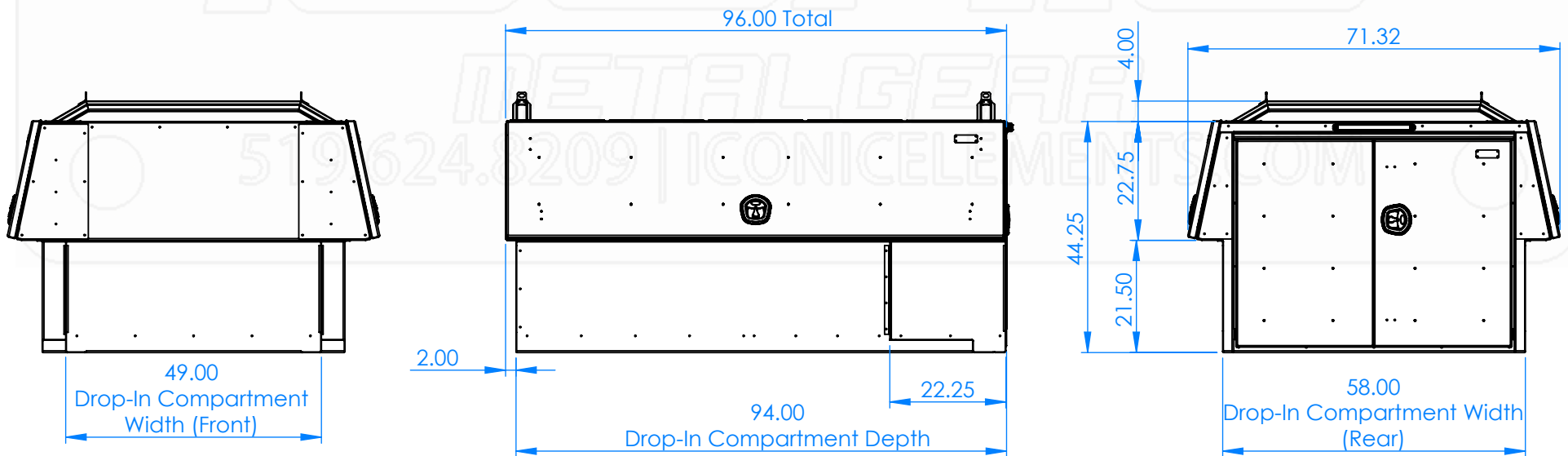
**LADDER RACK CAPACITY  
750LBS (EVENLY DISTRIBUTED)**

**ALL DOORS  
HAVE GAS SHOCKS**

**3rd LED TAIL LIGHT**

**COATED PANEL**

**WHALE TAIL HANDLE  
CHROME, LOCKING**



Part No.:

**3059**

MATERIAL: 5052 (Alum)

Approx. Weight: 675.84 lbs

Surf. Area: 711.06 sq. ft.

THICKNESS: 0.125

**ICONIC ELEMENTS (ICONIC METALGEAR) TITLE:**

PROPRIETARY AND CONFIDENTIAL  
NO PART OF THIS DOCUMENT MAY BE REPRODUCED, STORED IN A RETRIEVAL SYSTEM, OR TRANSMITTED  
IN ANY FORM, WITHOUT THE WRITTEN PERMISSION OF Iconic Elements Inc. (ICONIC METALGEAR)

FINISH: Powder

X-One Pack

DWG. NO.: 4127-0-00-B

REV: SHEET:

**B 2 OF 6**

5

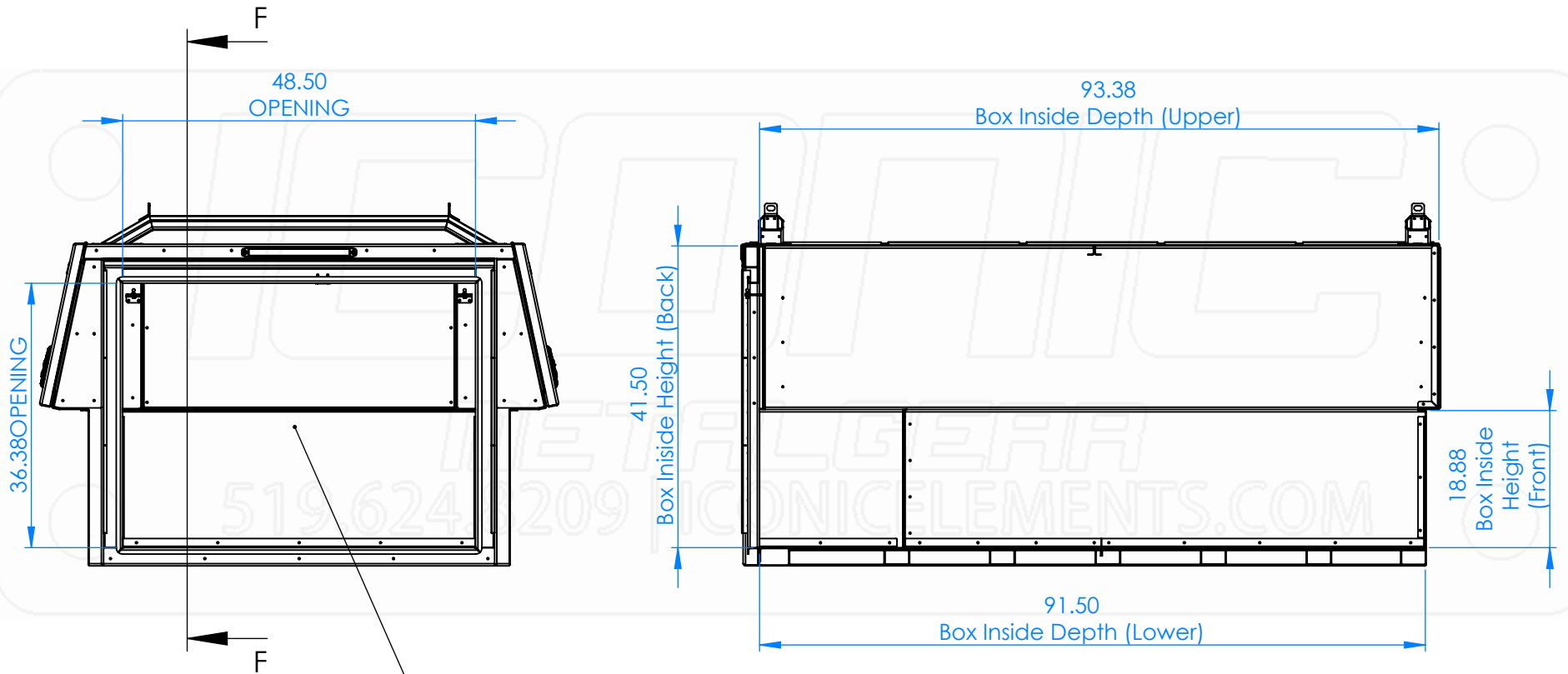
4

3

2

1





**BACK DOOR OPENING = 48.5" WIDE x 36.38" HIGH**

Part No.:

**3059**

MATERIAL: 5052 (Alum)

THICKNESS: 0.125

FINISH: Powder

DWG. NO.: 4127-0-00-B

Approx. Weight: 675.84 lbs

**ICONIC ELEMENTS (ICONIC METALGEAR)** TITLE:

REV: SHEET:

Surf. Area: 711.06 sq. ft.

PROPRIETARY AND CONFIDENTIAL  
NO PART OF THIS DOCUMENT MAY BE REPRODUCED, STORED IN A RETRIEVAL SYSTEM, OR TRANSMITTED IN ANY FORM, WITHOUT THE WRITTEN PERMISSION OF Iconic Elements Inc. (ICONIC METALGEAR)

X-One Pack

**B** 3 OF 6

5

4

3

2

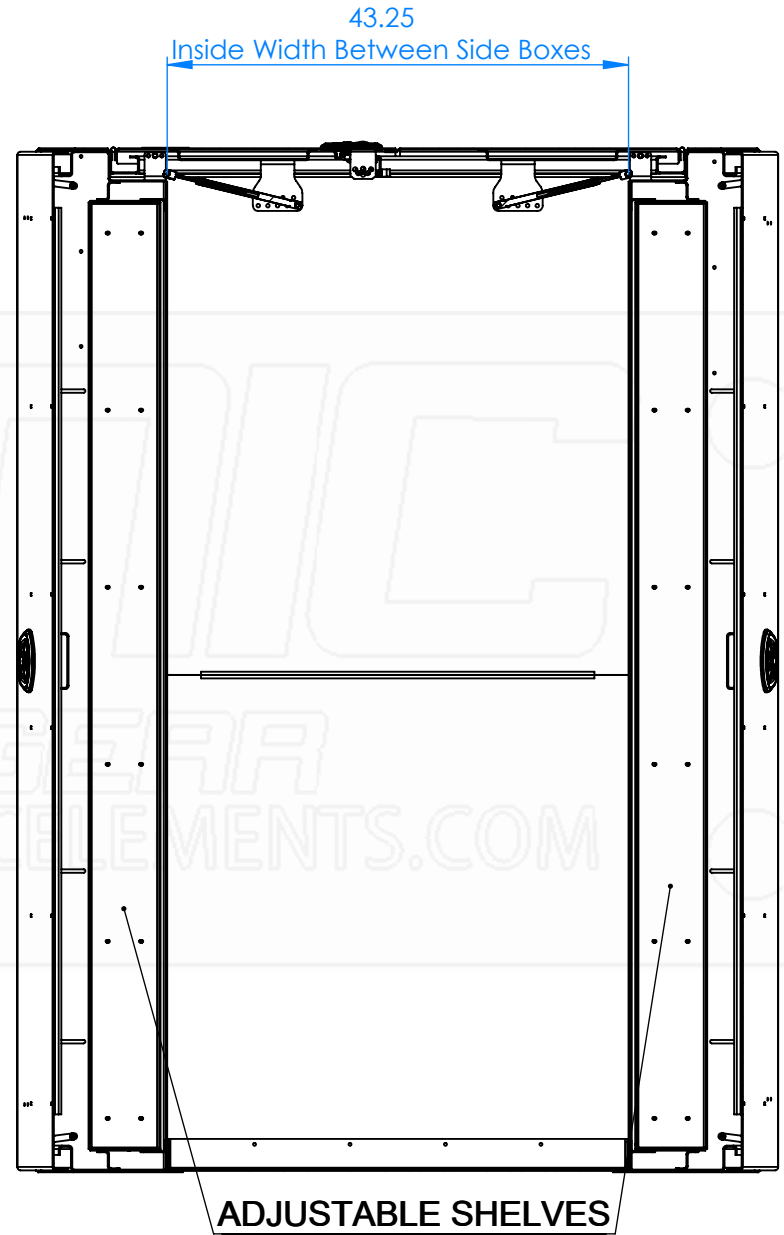
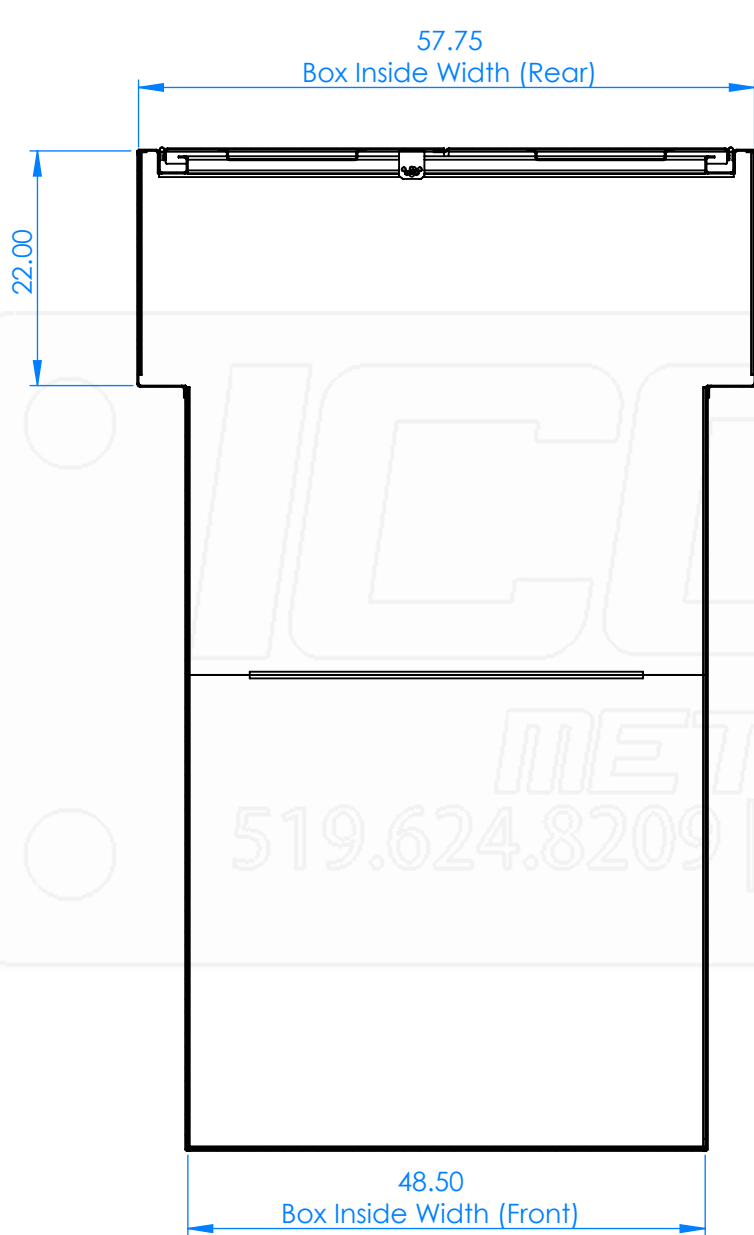
1

D

C

B

A



D  
C  
B  
A

Part No.:

**3059**

MATERIAL: 5052 (Alum)

Approx. Weight: 675.84 lbs

Surf. Area: 711.06 sq. ft.

THICKNESS: 0.125

**ICONIC ELEMENTS (ICONIC METALGEAR)**

PROPRIETARY AND CONFIDENTIAL  
NO PART OF THIS DOCUMENT MAY BE REPRODUCED, STORED IN A RETRIEVAL SYSTEM, OR TRANSMITTED  
IN ANY FORM, WITHOUT THE WRITTEN PERMISSION OF Iconic Elements Inc. (ICONIC METALGEAR)

FINISH: Powder

TITLE:

X-One Pack

DWG. NO.: 4127-0-00-B

REV: SHEET:

**B** 4 OF 6

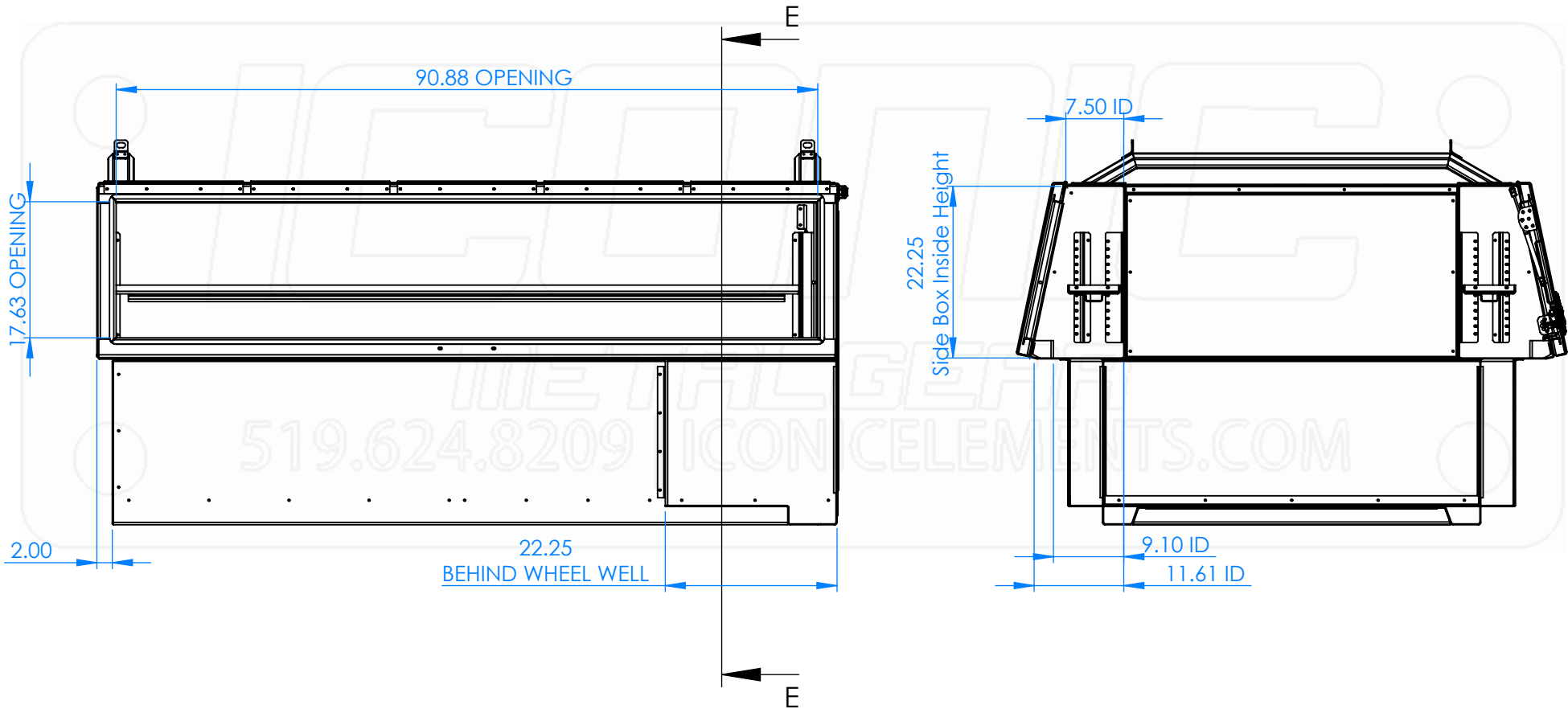
5

4

3

2

1



Part No.:

**3059**

MATERIAL: 5052 (Alum)

THICKNESS: 0.125

FINISH: Powder

DWG. NO.: 4127-0-00-B

Approx. Weight: 675.84 lbs

**ICONIC ELEMENTS (ICONIC METALGEAR)** TITLE:

REV: SHEET:

Surf. Area: 711.06 sq. ft.

PROPRIETARY AND CONFIDENTIAL  
NO PART OF THIS DOCUMENT MAY BE REPRODUCED, STORED IN A RETRIEVAL SYSTEM, OR TRANSMITTED  
IN ANY FORM, WITHOUT THE WRITTEN PERMISSION OF Iconic Elements Inc. (ICONIC METALGEAR)

X-One Pack

**B** 5 OF 6

5

4

3

2

1

D

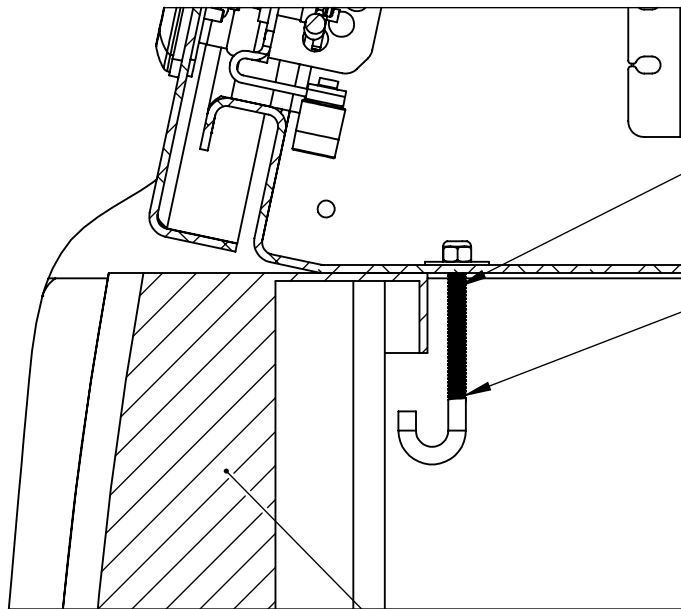
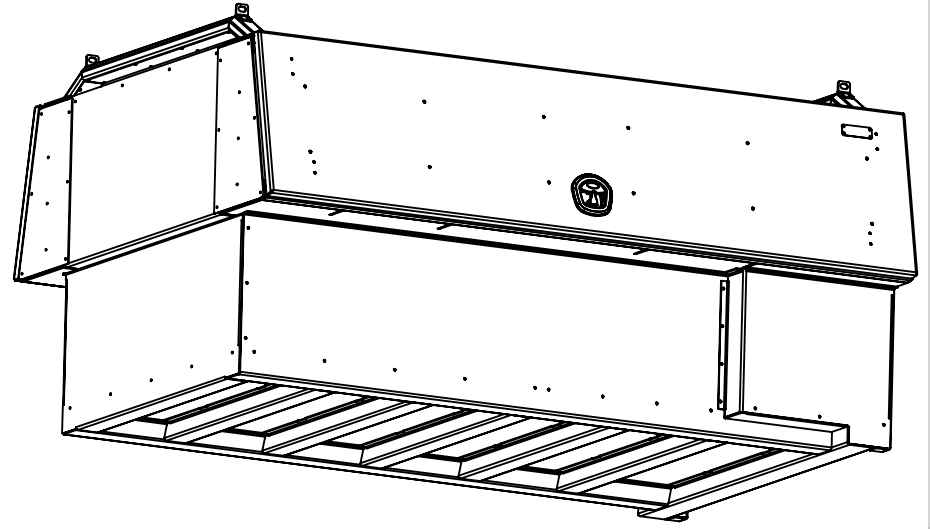
C

B

A

# **INSTALLATION GUIDE**

**APPROX 3 HOURS INSTALL  
(CONTACT AUTO SHOP FOR  
HOOKING UP 3rd BRAKE LIGHT WIRING)**



**CUT EXCESS OFF**

**INCLUDED HARDWARE**

**TRUCK BED RAIL**

