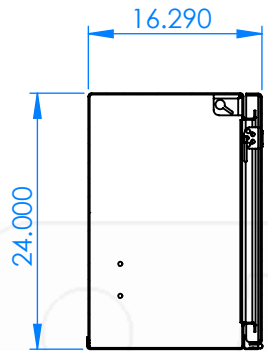




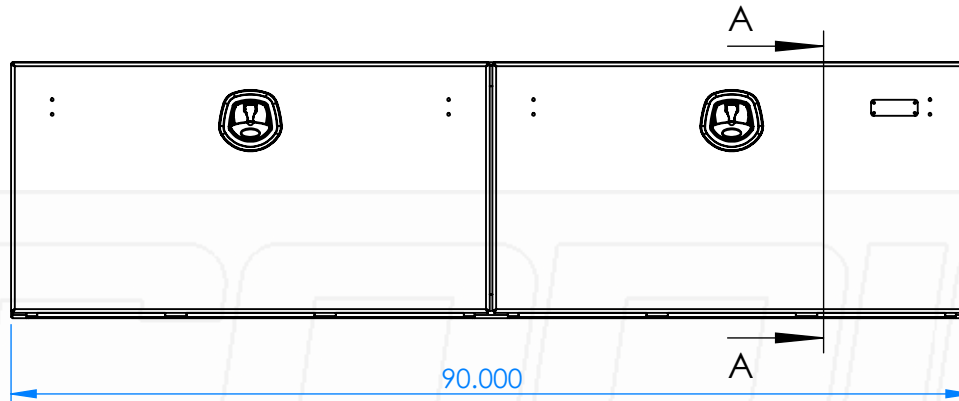
LONG BOX

X-SIDES
HIGH SIDE TRUCK BOXES

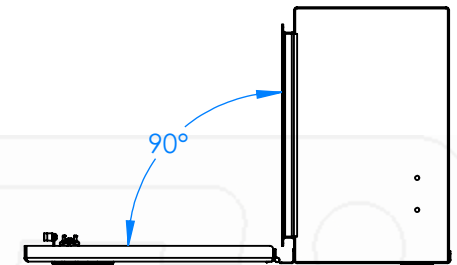




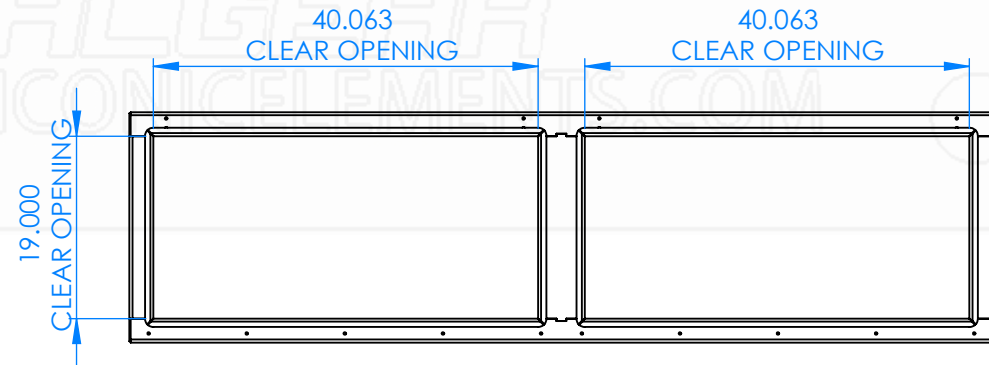
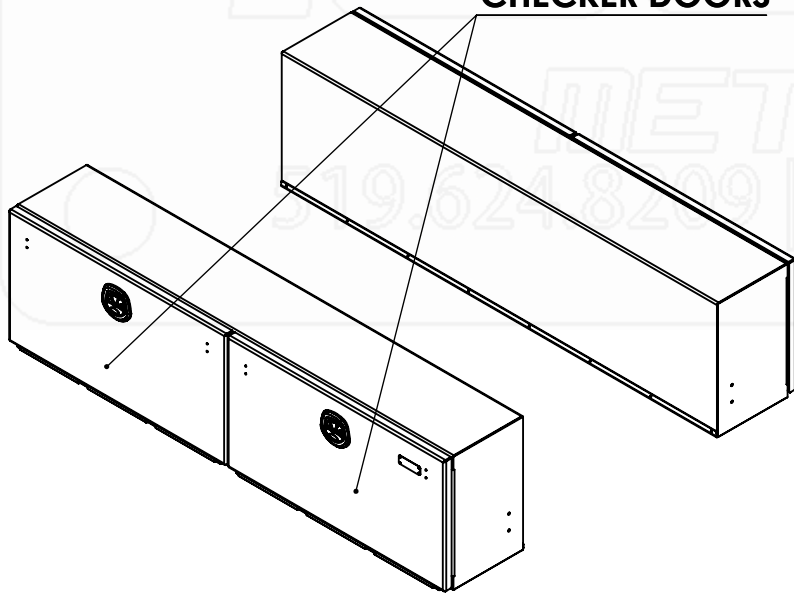
SECTION A-A
SCALE 1 : 18



CHECKER DOORS



FOLD DOWN DOORS W/ CHAINS



Part No.:

3067

MATERIAL: 5052 (Alum)

THICKNESS: 0.125

FINISH: Smooth

DWG. NO.: 4043-C-00-A

Approx. Weight: 262.95 lbs

ICONIC ELEMENTS (ICONIC METALGEAR) TITLE:

REV: SHEET:

Surf. Area: 270.23 sq. ft.

PROPRIETARY AND CONFIDENTIAL
NO PART OF THIS DOCUMENT MAY BE REPRODUCED, STORED IN A RETRIEVAL SYSTEM, OR TRANSMITTED IN ANY FORM, WITHOUT THE WRITTEN PERMISSION OF Iconic Elements Inc. (ICONIC METALGEAR)

X-Side Box - CH (Long)

A 1 OF 1