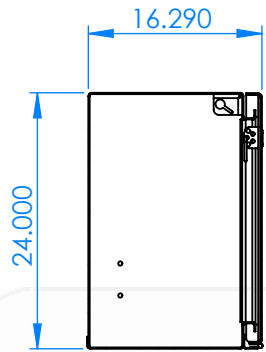




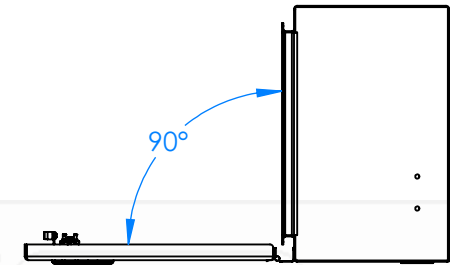
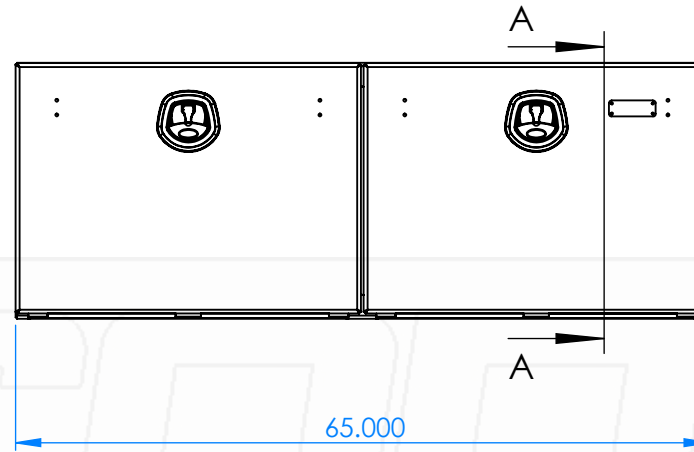
ALL BOXES

X-SIDES
HIGH SIDE TRUCK BOXES



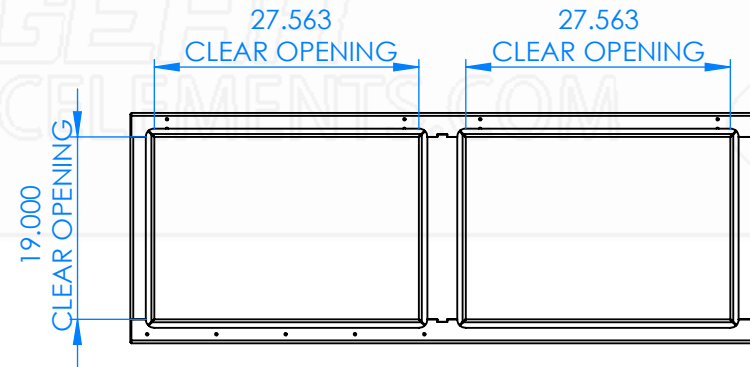
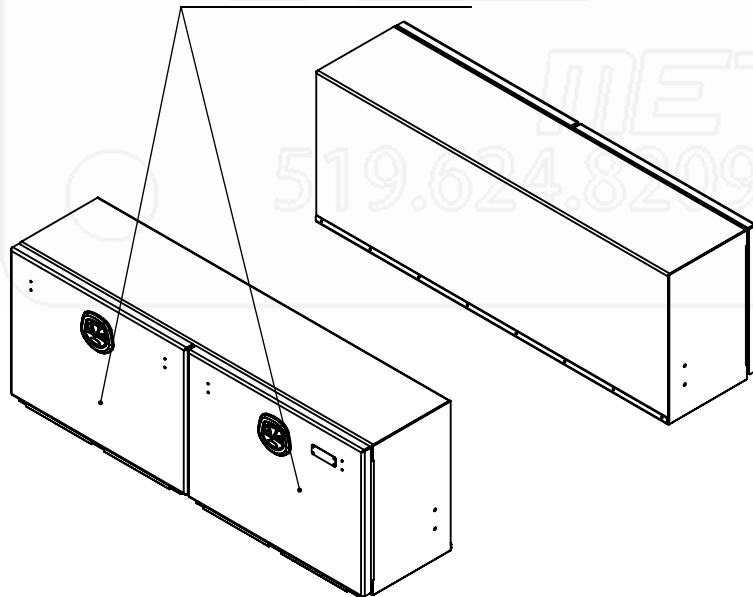


SECTION A-A
SCALE 1 : 18



FOLD DOWN DOORS W/ CHAINS

CHECKER DOORS



Part No.:

3065

MATERIAL: 5052 (Alum)

THICKNESS: 0.125

FINISH: Smooth

DWG. NO.: 4041-C-00-A

Approx. Weight: 204.00 lbs

ICONIC ELEMENTS (ICONIC METALGEAR) TITLE:

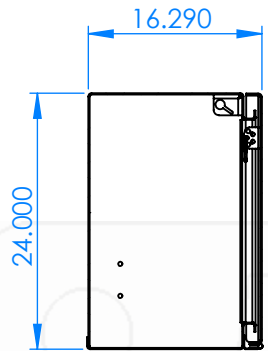
REV: SHEET:

Surf. Area: 206.81 sq. ft.

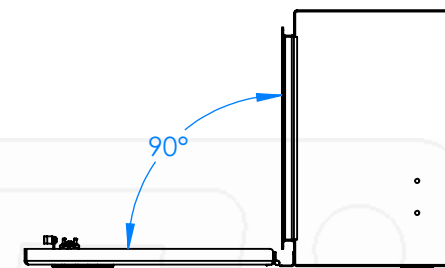
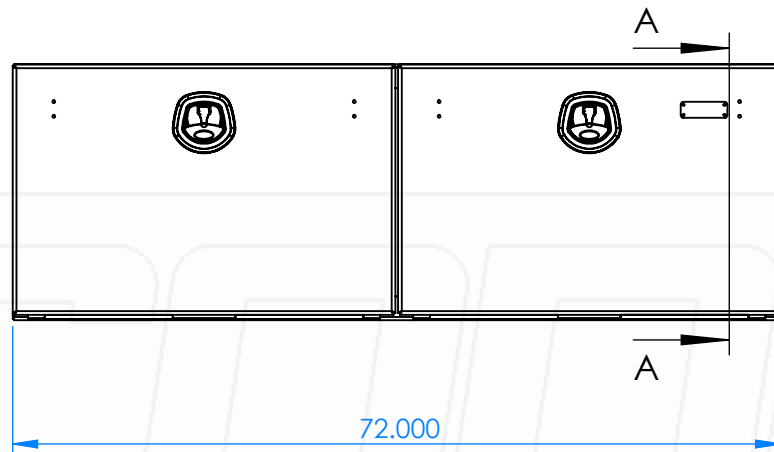
PROPRIETARY AND CONFIDENTIAL
NO PART OF THIS DOCUMENT MAY BE REPRODUCED, STORED IN A RETRIEVAL SYSTEM, OR TRANSMITTED IN ANY FORM, WITHOUT THE WRITTEN PERMISSION OF Iconic Elements Inc. (ICONIC METALGEAR)

X-Side Box - CH (Short)

A 1 OF 1

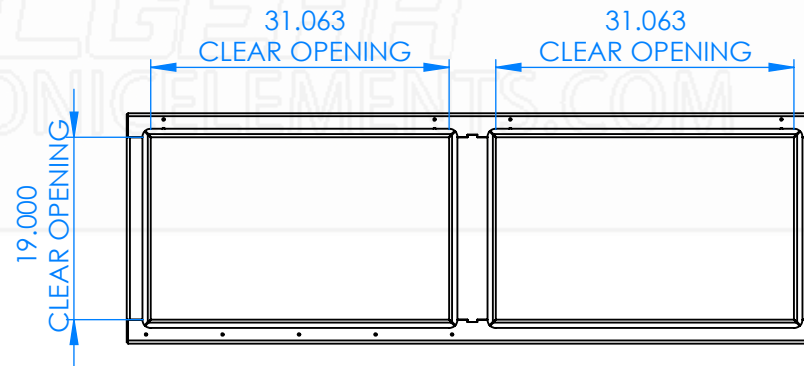
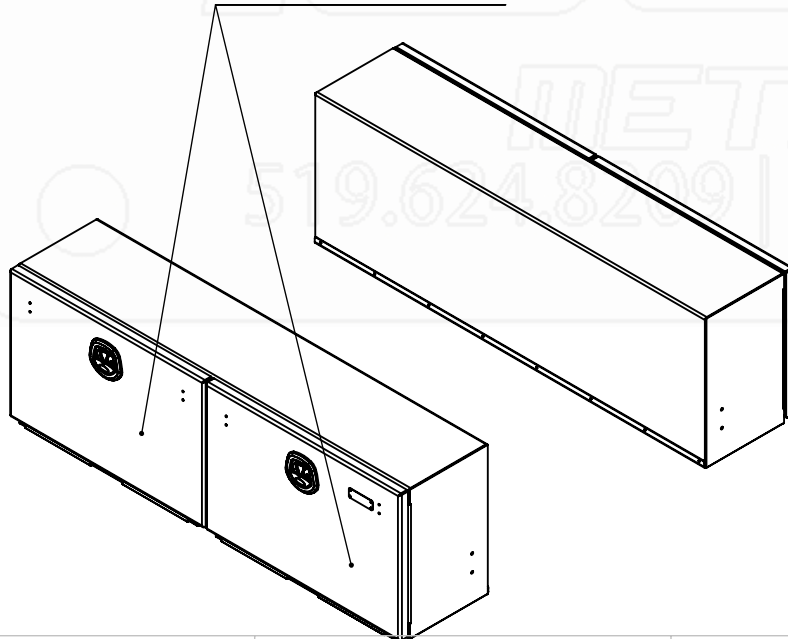


SECTION A-A
SCALE 1 : 18



FOLD DOWN DOORS W/ CHAINS

CHECKER DOORS



Part No.:

3066

MATERIAL: 5052 (Alum)

THICKNESS: 0.125

FINISH: Smooth

DWG. NO.: 4042-C-00-A

Approx. Weight: 219.67 lbs

ICONIC ELEMENTS (ICONIC METALGEAR) TITLE:

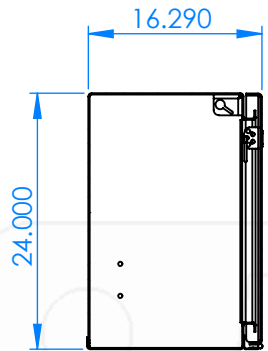
REV: SHEET:

Surf. Area: 224.24 sq. ft.

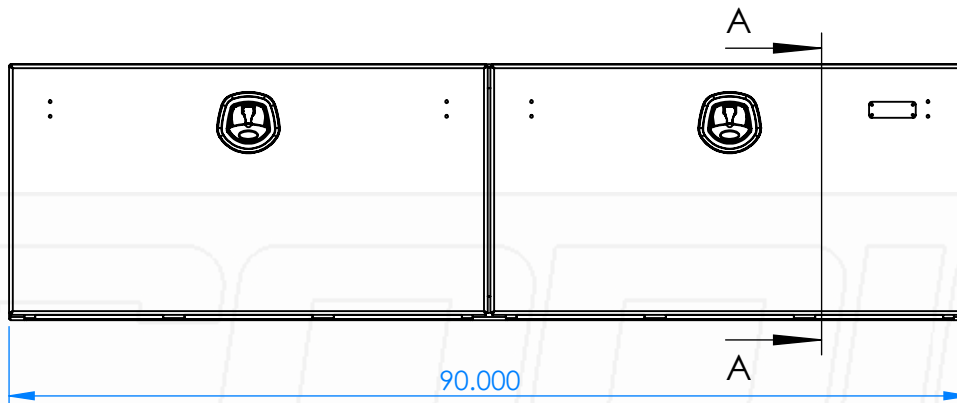
PROPRIETARY AND CONFIDENTIAL
NO PART OF THIS DOCUMENT MAY BE REPRODUCED, STORED IN A RETRIEVAL SYSTEM, OR TRANSMITTED
IN ANY FORM, WITHOUT THE WRITTEN PERMISSION OF Iconic Elements Inc. (ICONIC METALGEAR)

X-Side Box - CH (Reg.)

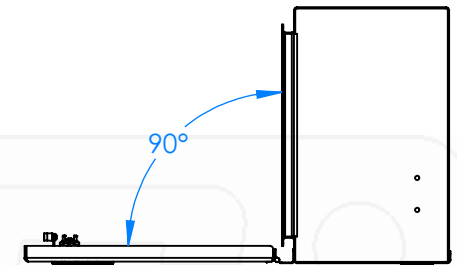
A 1 OF 1



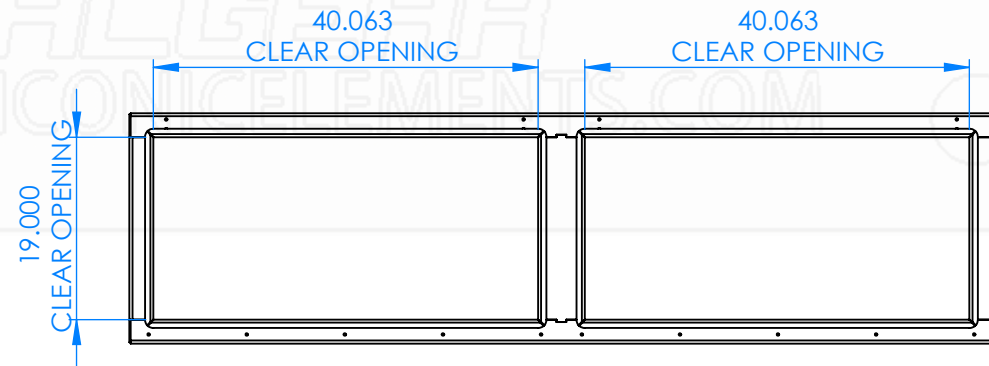
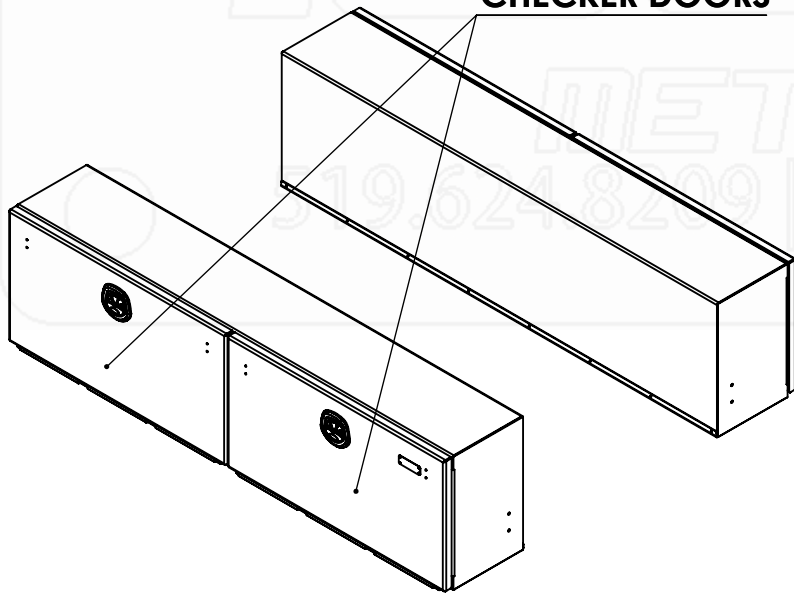
SECTION A-A
SCALE 1 : 18



CHECKER DOORS



FOLD DOWN DOORS W/ CHAINS



Part No.:

3067

MATERIAL: 5052 (Alum)

THICKNESS: 0.125

FINISH: Smooth

DWG. NO.: 4043-C-00-A

Approx. Weight: 262.95 lbs

ICONIC ELEMENTS (ICONIC METALGEAR) TITLE:

REV: SHEET:

Surf. Area: 270.23 sq. ft.

PROPRIETARY AND CONFIDENTIAL
NO PART OF THIS DOCUMENT MAY BE REPRODUCED, STORED IN A RETRIEVAL SYSTEM, OR TRANSMITTED IN ANY FORM, WITHOUT THE WRITTEN PERMISSION OF Iconic Elements Inc. (ICONIC METALGEAR)

X-Side Box - CH (Long)

A 1 OF 1